

# Assembly Instructions

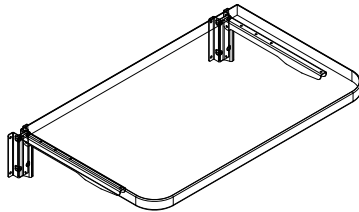
## ⚠ Important ⚠

Before you begin, read and comply with all safety and operating instructions, and ensure all parts and correct quantities are included.

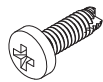
Any parts damaged during shipment must be reported within 5 days of receipt. To report information regarding missing parts or damage, to purchase parts or accessories, or if you have any questions, please contact us.

[www.spectrumfurniture.com](http://www.spectrumfurniture.com)  
800-235-1262, 715-723-6750

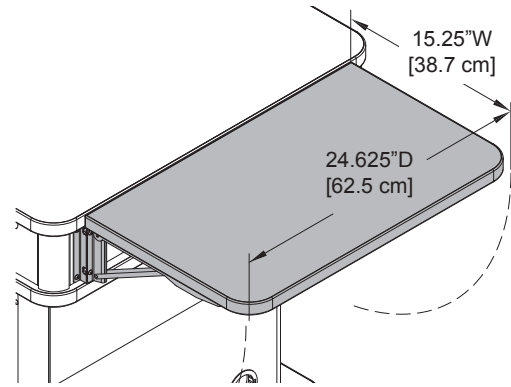
Thank you for purchasing Spectrum products!



(1) 0119552  
Flip-up shelf assembly



(8) 0100167  
8-32 x 1/2" PH  
Thread cutting screw



## Flip-up Shelf for Honors Lectern<sup>TM</sup> 55147

### Installation

1. Extend the lectern fully to its highest position and determine which side you prefer to mount the shelf.
2. Extend each shelf bracket to by depressing the release lever and lifting until it locks into the 90° position. **Figure 1.**
3. Install the (4) lower 8-32 x 3/8" PHM screws into the lectern side panel and leave about 1/4" of threads exposed.
4. Set the shelf assembly onto the (4) lower screws using the notched brackets.
5. Secure the shelf assembly by installing the (4) upper 8-32 x 3/8" PHM screws.
6. Tighten all screws securely.

Installation video available  
See [www.spectrumfurniture.com](http://www.spectrumfurniture.com)

Tools Required

### Operation

The shelf will automatically lock into place when lifted into the horizontal position with the levers released. **Figure 2.** To lower or flip-up the shelf, press and hold the shelf bracket levers while slowly lowering or raising the shelf. Do not move the lectern while the shelf is in the horizontal position.

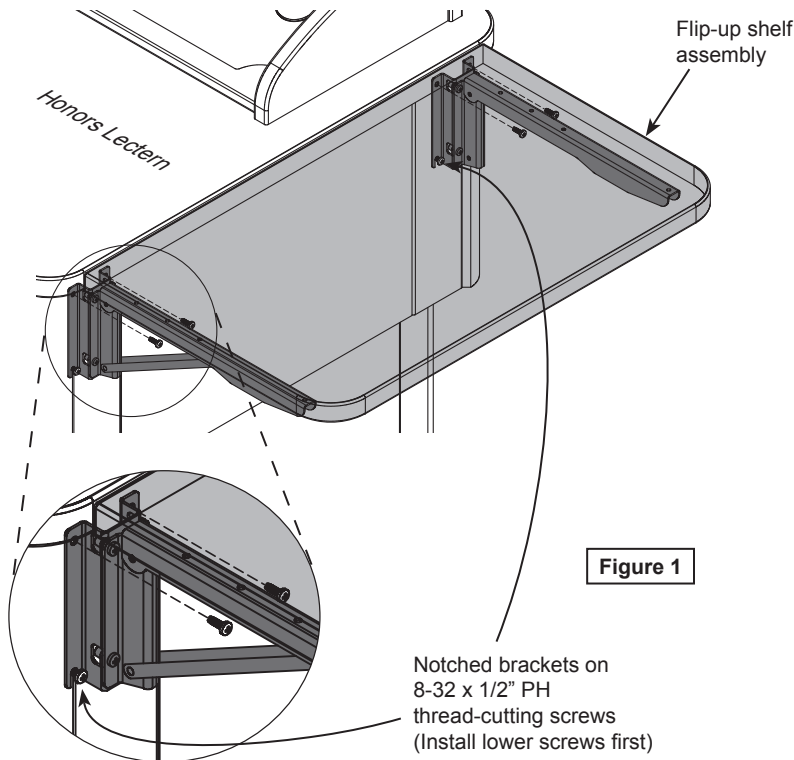


Figure 1

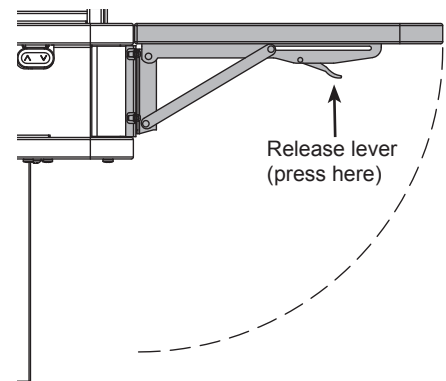


Figure 2

## ⚠ CAUTION ⚠

Keep clear of pinch points during shelf movement.  
Do not exceed 35 lb [15.9 kg] of weight on shelf.