

Assembly Instructions

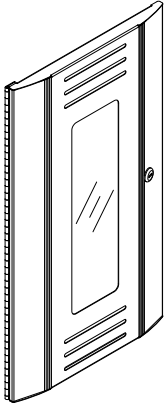
⚠ Important ⚠

Before you begin, read and comply with all safety and operating instructions, and ensure all parts and correct quantities are included.

Any parts damaged during shipment must be reported within 5 days of receipt. To report information regarding missing parts or damage, to purchase parts or accessories, or if you have any questions, please contact us.

www.spectrumfurniture.com
800-235-1262, 715-723-6750

Thank you for purchasing Spectrum products!



(1) Door assembly



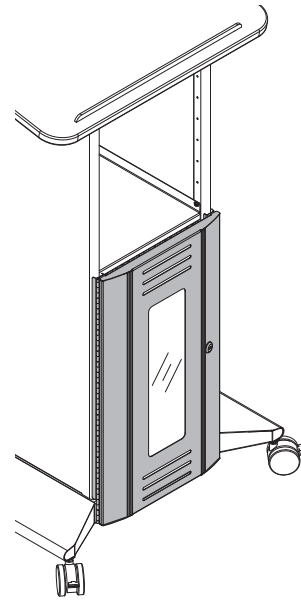
(2) 0149382
Hinge channel



(10) 037542
#8 x 5/8" PHSM



(3) 0115594
#8 x 1/4" PHSM



Locking Door for Slim Lectern™ 55538



1. Attach Hinge Channels

1. Choose an assembly method based on your side panels. **Figure 1.1.**
2. Align the channel and side panel mounting holes as shown. **Figure 1.2, 1.3.**
3. Attach each hinge channel to the side panel with #8 x 5/8" PHSM screws. (4 for metal side panels, 5 for wood side panels).

Metal side panels:

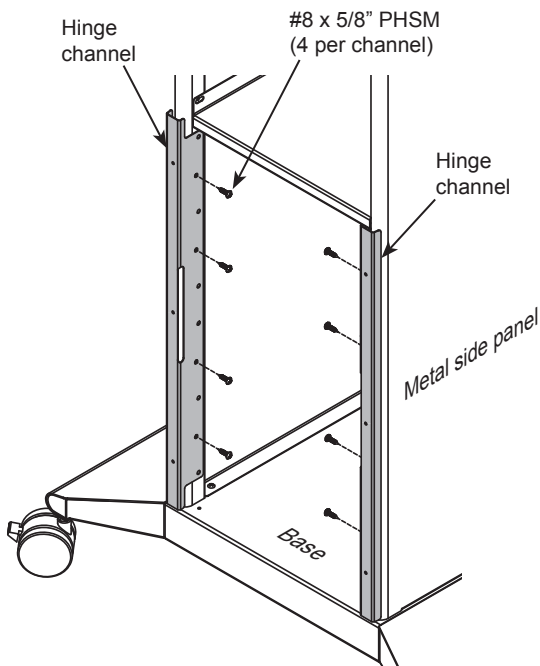


Figure 1.2

Wood side panels:

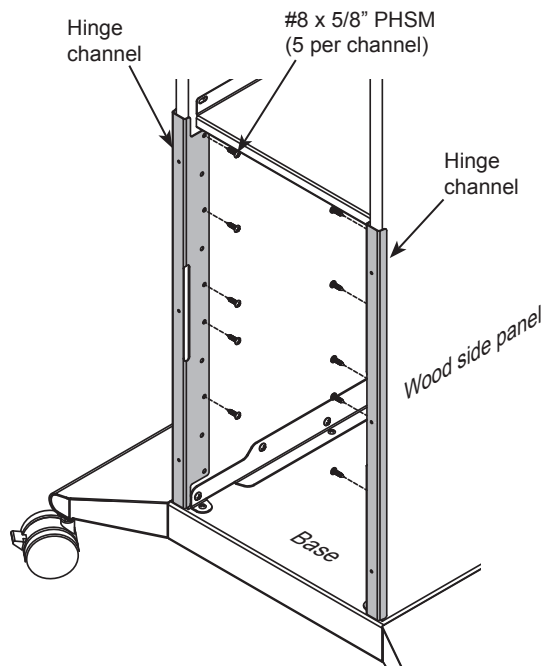


Figure 1.3

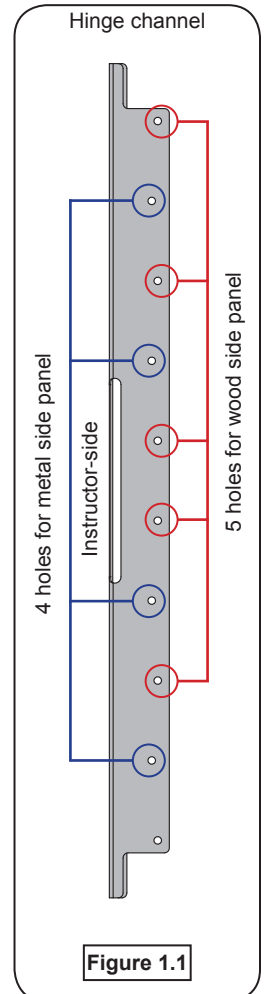


Figure 1.1

2. Attach Door Assembly

1. Determine which side of the lectern the the door will be hinged. (Left or right).
2. Open the hinge 90-degrees and align the (3) mounting holes with the left or right channel. **Figure 2.** The bottom edge of the door should be close to even with the bottom of the base.
3. Install (3) #8 x 1/4" PHSM screws to attach door and tighten securely.

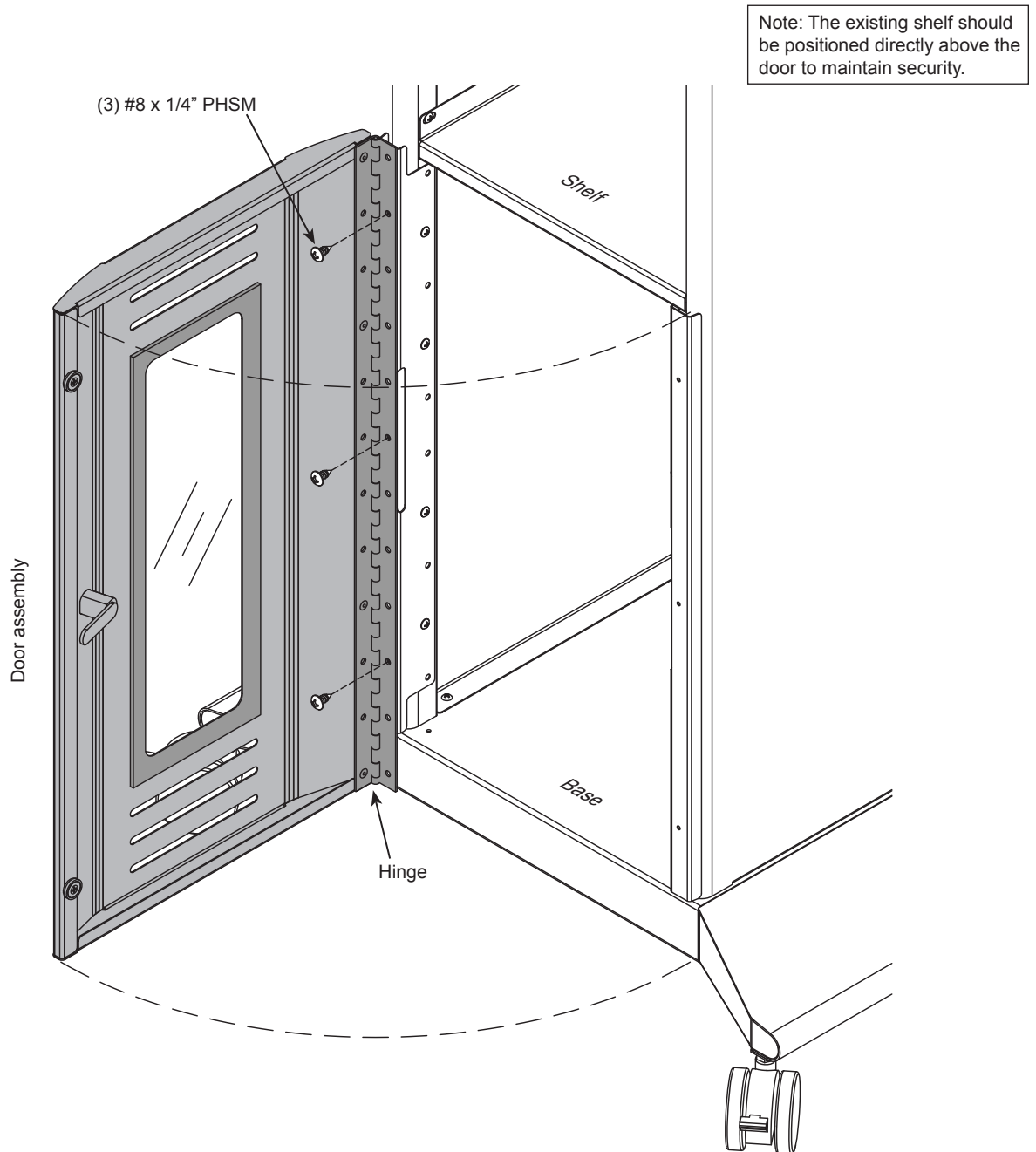


Figure 2