

Assembly Instructions

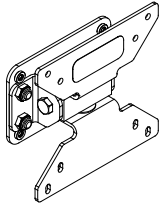
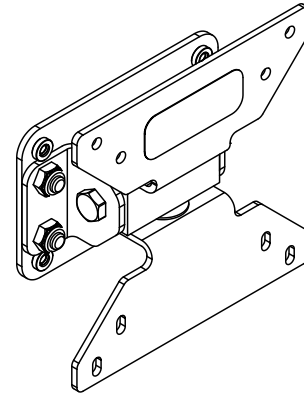
⚠ Important ⚠

Before you begin, read and comply with all safety and operating instructions, and ensure all parts and correct quantities are included.

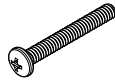
Any parts damaged during shipment must be reported within 5 days of receipt. To report information regarding missing parts or damage, to purchase parts or accessories, or if you have any questions, please contact us.

www.spectrumfurniture.com
800-235-1262, 715-723-6750

Thank you for purchasing Spectrum products!



(1) 0107624
Swivel VESA
mount



(4) 036503
10-24 x 1.5"
PHMS

Swivel VESA mount for Shoutcaster 37388

- Internal travel stops-provide 4-direction tilt, 4° left, 4° right, 16° up, and 6° down (*Specific monitor size, shape, and mounting location will determine exact angles of tilt*)
- Works with 75mm and 100mm VESA mounts
- On most flat panel monitors, it will be necessary to remove the standard base that comes with the monitor to use the VESA mounting option.



1. Attach VESA mount to monitor

1. Choose attachment method. Horizontal (recessed worksurface) **Figure 1.1** or vertical (audience-side panel) **Figure 1.2**.
2. Attach the VESA mount (butterfly-shaped portion) to the back of your flat panel monitor with (4) M4 x 12mm PHM screws. Note orientation of holes and slots with the top of the monitor in each method. **4mm screws not included.**

Horizontal Mounting in recessed worksurface

Provides display monitor mounting in the recessed worksurface (most monitors up to 22" diagonal)

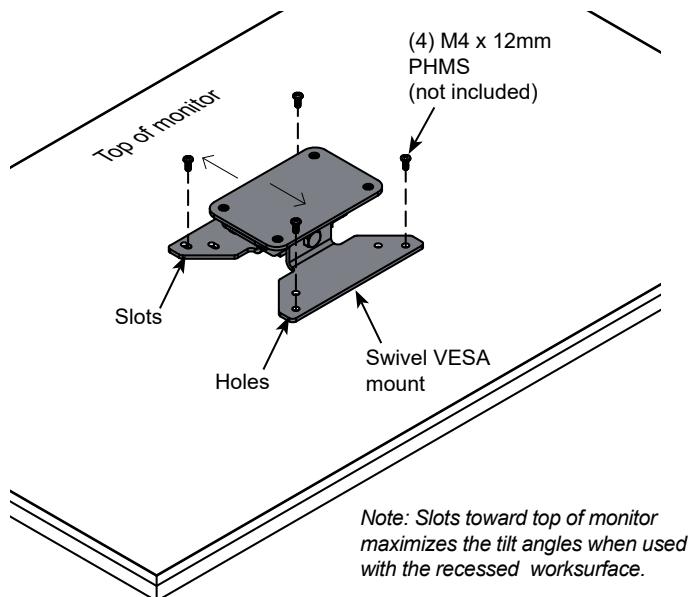


Figure 1.1

Vertical Mounting (60" Shoutcaster - 37383 only)

Provides display monitor mounting on audience-side (most monitors up to 32" diagonal)

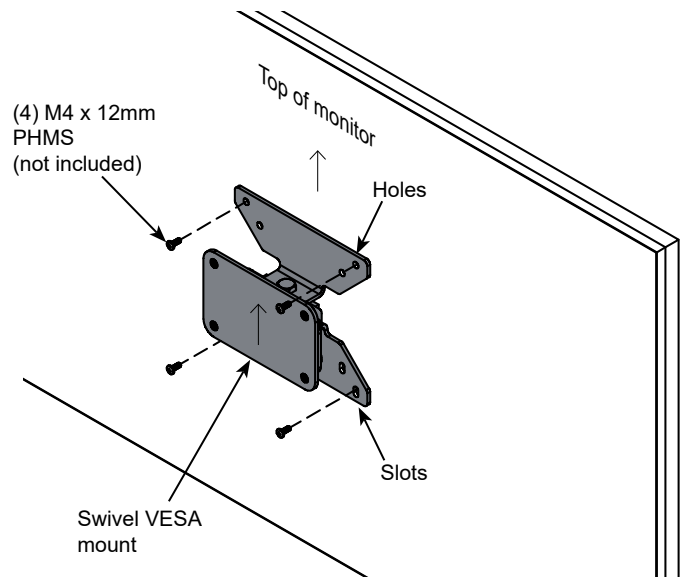


Figure 1.2

2. Installation

Horizontal mounting (recessed worksurface)

1. The rear worksurface should be recessed (lowered) to provide clearance for the monitors. **Figure 2.1, 2.2.**
2. From under the rear worksurface, use a 3/16" drill bit to carefully drill through the laminate at the (4) corresponding pre-drilled pilot hole locations. Drill slowly or use masking tape to minimize chip-out.
3. Route monitor wires through the 2" grommet.
4. Attach the VESA mount / monitor assembly to the rear worksurface with the (4) 10-24 x 1.5" PHM screws. A second person may be necessary to help with hole alignment.

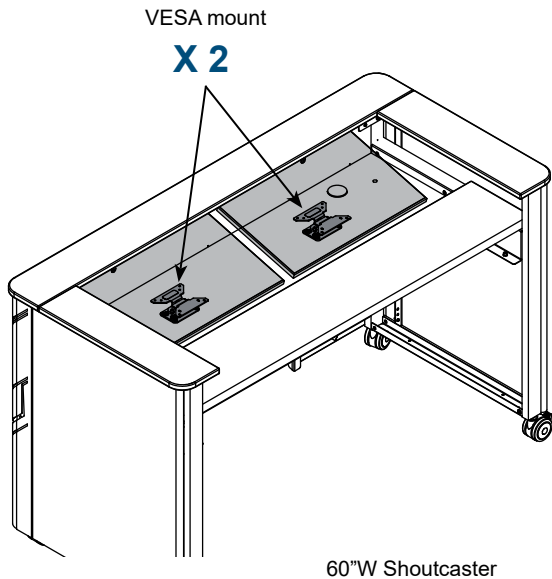


Figure 2.1

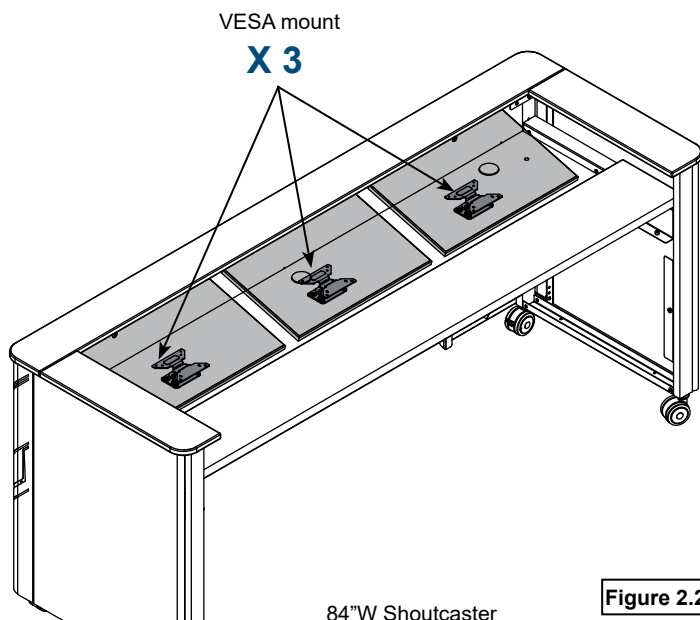


Figure 2.2

Vertical mounting (audience-side panel 60" Shoutcaster only)

1. From behind the audience-side panel, use a 3/16" drill bit to carefully drill through the panel at the (4) corresponding pre-drilled pilot hole locations. Drill slowly or use masking tape to minimize chip-out. **Figure 2.3.**
2. Route monitor wires through the 2" grommet.
3. Attach the VESA mount / monitor assembly to the audience-side panel with the (4) 10-24 x 1.5" PHM screws. A second person may be necessary to help with hole alignment.

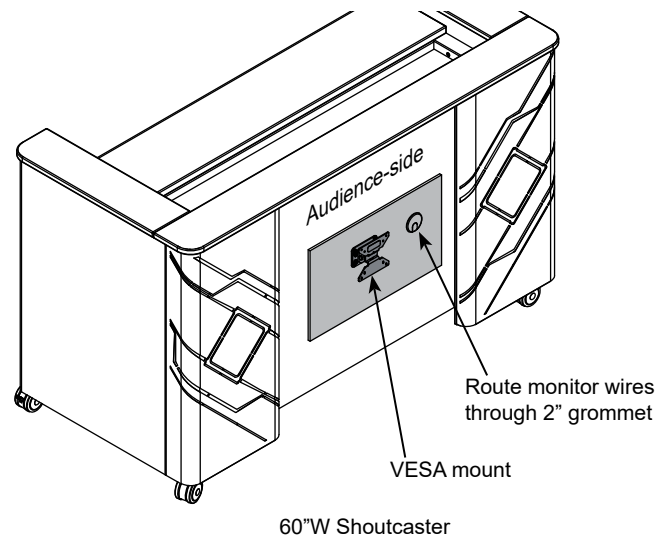


Figure 2.3

The VESA mount provides display monitor mounting on audience-side 60"W Shoutcaster - 37383 only (most monitors up to 32" diagonal)

Note: The audience-side logo panel should be removed (if equipped) before installing the VESA mount.