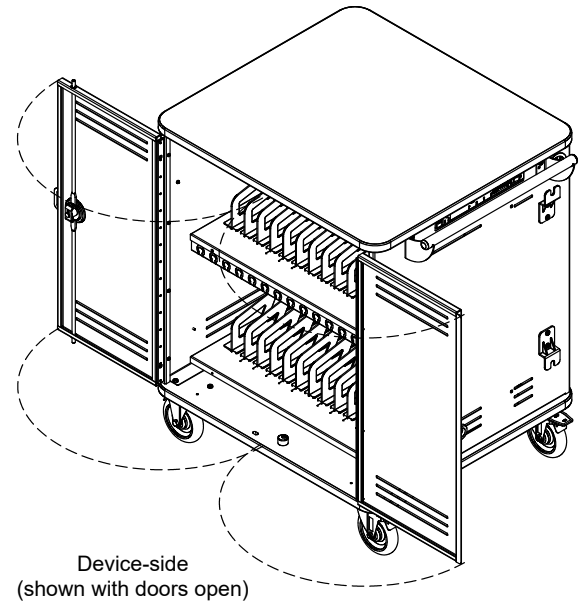
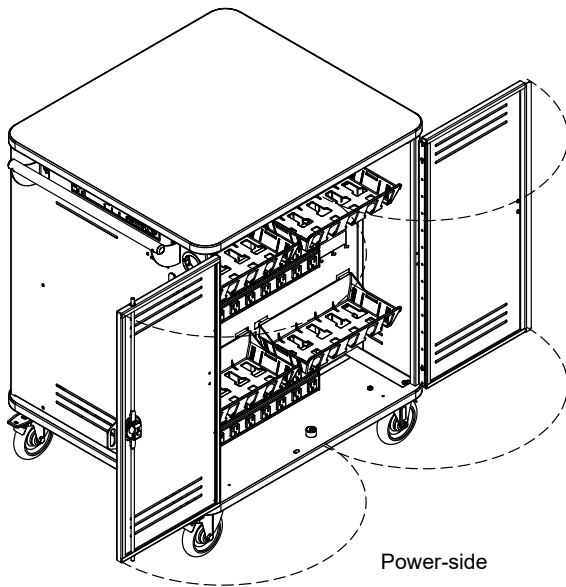


Technical Specifications

55472



Use the Pro32 Cart to store, transport, and charge up to 32 notebooks or laptops. A current-sensing timer provides adaptive switching. Padded shelves and flexible dividers protect the notebooks. The overhead wire management aids the wiring integration and allows the charging plugs to hang in front of each laptop. The cart's compact footprint and handle provide easy mobility. The Pro32 Cart is made with heavy-gauge steel for security and powder-coated for a durable, long-lasting finish. A dual-bolt lock with hasp on the doors increase security of the notebooks.



Features and Benefits

- Stores, charges, and transports up to 32 of the largest notebooks (laptops) commonly used in education
- 1.625"W x 17.375"D x 12.3438"H storage bay
- Small cart footprint (30.75"W x 28"D) saves valuable space
- Durable ABS plastic dividers protect notebooks from scratching (dividers are removable to provide storage space for thicker devices)
- Dual doors provide easy access while reducing space necessary for swing radius
- Double bolt keyed locks and heavy-gauge steel doors provide security
- Hasp locks provide an additional level of security and the ability to use your padlocks of choice (not included)
- Notebooks and students are separated from all line voltage
- Superior, all-metal overhead cord management system keeps charge cords organized above each storage bay
- Ventilated doors and side panels keep notebooks and chargers cool, preventing overheating, and extending device life
- Replaceable, IEC quick-release 8' nominal 14 AWG, 3-wire power cord and external cord wrap brackets provide easy power access
- Four inboard locking 5" balloon wheel casters provide easy rolling, and quiet transport
- One all steel handle provides control and maneuverability
- Worksurface and base panel vinyl edging protects walls and furniture

Available with:

- PowerProdigy™ timer that senses current from both power units and distributes power (up to 10A) to the least-charged devices first (where charging is needed most) ***For most power adapters up to 135W**
- eLogix™ timer provides cycling power to both power units (non current-sensing) ***For most power adapters up to 65W**
- Four horizontally adjustable, 8-outlet, (125V~/12A, 60Hz) universal power units work with both inline, and wall adapters
- External power switch provides easy-access for safe power connection / disconnection
- 2 aux outlets (always on) for teacher laptop, Wi-Fi access point, or other accessory (1 external, 1 internal)
- Large, removable QuickBrick™ wiring trays with retaining straps for charge adapters allow wiring to be completed outside the cart at the comfort of a workstation or desk to provide quick and easy integration

This cart is designed to hold up to 32 notebooks or laptops.

55472-ABD - with 5" Balloon Wheels, PowerProdigy™ timer

55472-ABL - with 5" Balloon Wheels, eLogix™ timer

Color Options

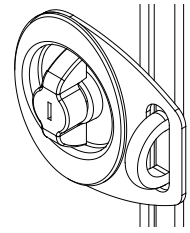
Laminate:
White Fiesta



Metal:
Warm Gray

Construction

- The worksurface and base panel is constructed from 1" composite board with .030" high-pressure laminate on one face, and a balancing phenolic backer on the opposing face
- Worksurface and base panel edges are covered with 3mm vinyl edgeband
- 16-gauge side panels, shelves, and doors
- All metal components are finished with a scratch-resistant powder coat epoxy
- This cart is factory-assembled, packaged, and shipped on its own skid



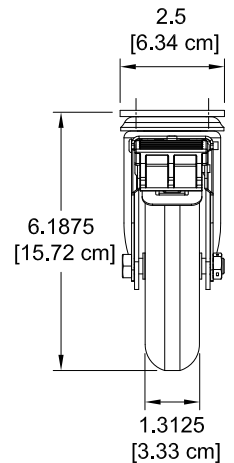
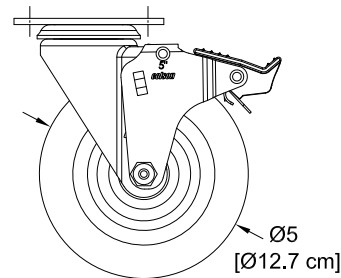
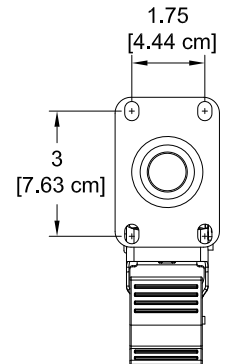
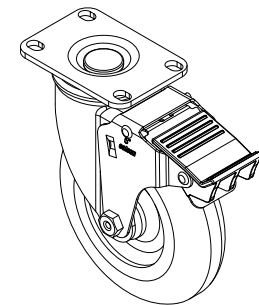
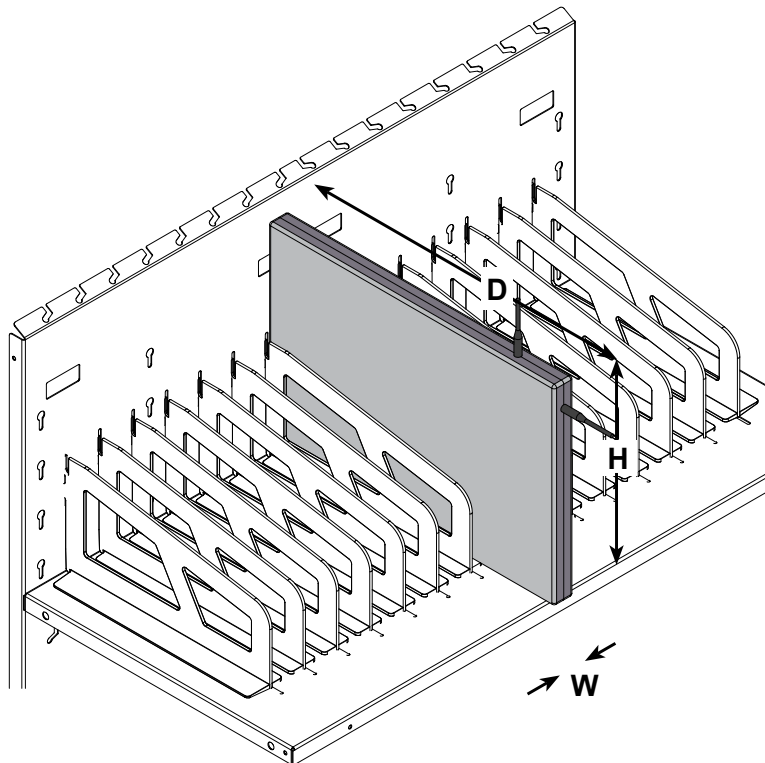
Double-bolt lock with padlock hasp (on both doors)
(padlocks not included)

Specifications

Capacity	32 Notebooks or Laptops	
Storage bays (nominal)	1.625"W [4.13 cm] x 17.458"D [44.3 cm] x 12.349"H [31.36 cm]	
Electrical	<ul style="list-style-type: none"> • (4) 8-outlet power units (outlets rotated 90°) • 125V~/12A, 60Hz • 15-amp breaker 	<ul style="list-style-type: none"> • Locking power-side door isolates and separates electrical line voltage from students • ETL certified to UL 60950-1
Charging options	(See p.4 for specs)	
5" Balloon Wheels	Weight capacity 300 lb [136 kg] each	
Certifications / Compliance	<ul style="list-style-type: none"> • ETL certified to UL 60950-1 	<ul style="list-style-type: none"> • Meets or exceeds applicable ANSI-BIFMA test standards
Unit weight (nominal)	208 lb [94.4 kg]	
Shipping weight (nominal)	240 lb [108.9 kg]	

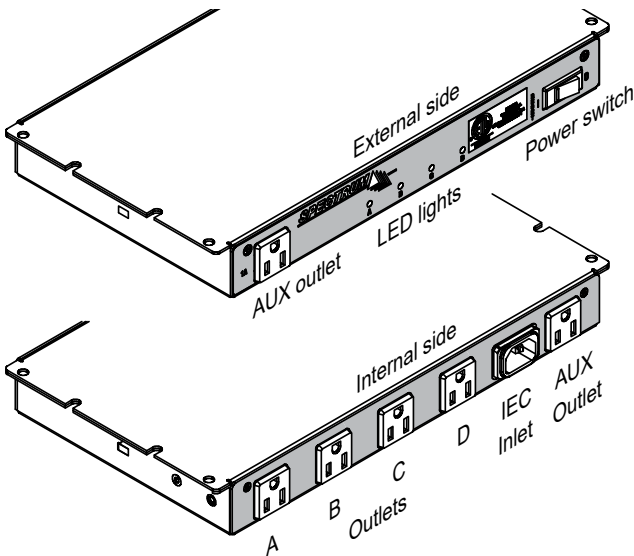
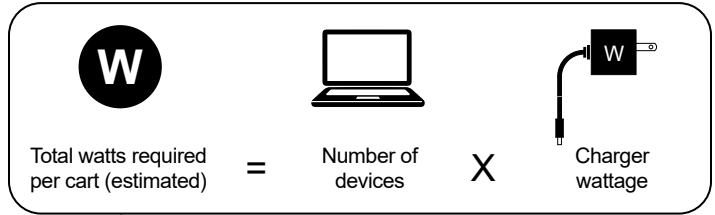
Specifications subject to change without notice

ORDER CODE B = 5" Balloon Wheel



Devices must be placed in the bays with the charge plug on one of the two exposed edges shown.

Pro32 Electrical comparison		
PowerProdigy™ Timer	eLogix™ Timer	
✓		External auxiliary outlet
✓	✓	Internal auxiliary outlet
✓	✓	External on/off switch
✓		Load-sensing technology
	✓	2 bank
✓		4 bank
✓		Max charging capacity: 5,760 watts (on Pro32, most power adapters up to 135W)
	✓	Max charging capacity: 2,880 watts (on Pro32, most power adapters up to 65W)
✓	✓	LED lights indicate charging status
✓	✓	ETL certified to 60950-1

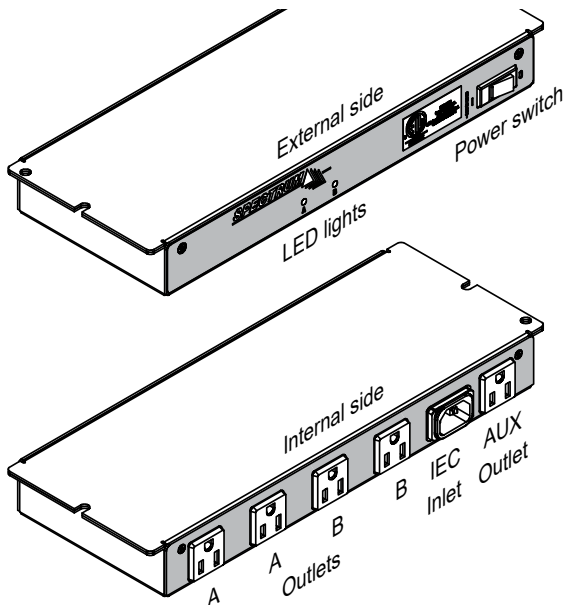


PowerProdigy™ Timer (D)

**Use with higher amp-draw devices.
Maximum charging capacity: 5,760 watts.**

- Smart charging senses current and distributes power to the power units requiring it most
- Four green LED lights indicate charging activity status of each power unit
- Four timed power unit-dedicated outlets (labeled A, B, C, D) controlled by logic board
- Two auxiliary outlets (1 external, 1 internal)
- ETL certified to UL 60950-1

Input:	125V~/12A, 60Hz
Breaker:	15A, 250 VAC
Cycling interval:	15 minutes
Cycling outlets:	4 timed (A, B, C, D) up to 10A
Auxiliary outlets:	1A each (controlled by main power switch)
Power Cord:	IEC quick-release (replaceable) 8' nominal, 14 AWG, 3-wire
Power switch:	15A (externally accessible)



eLogix™ Timer (L)

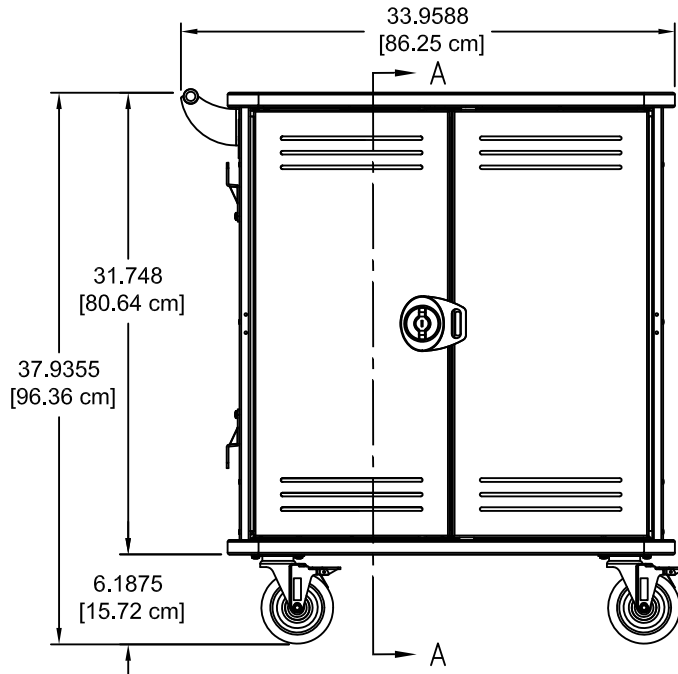
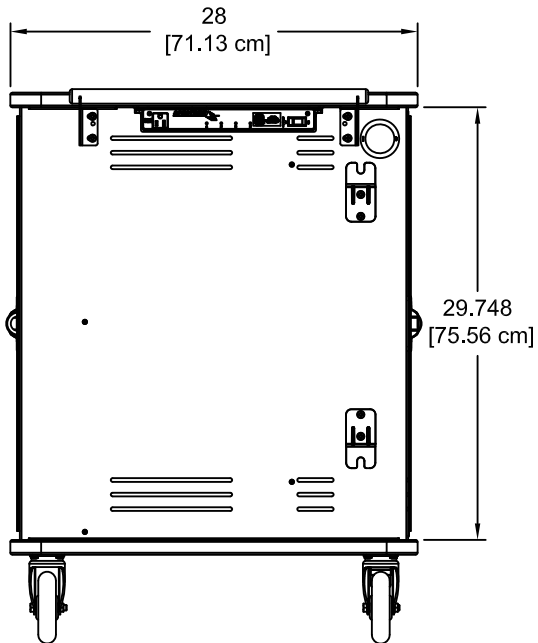
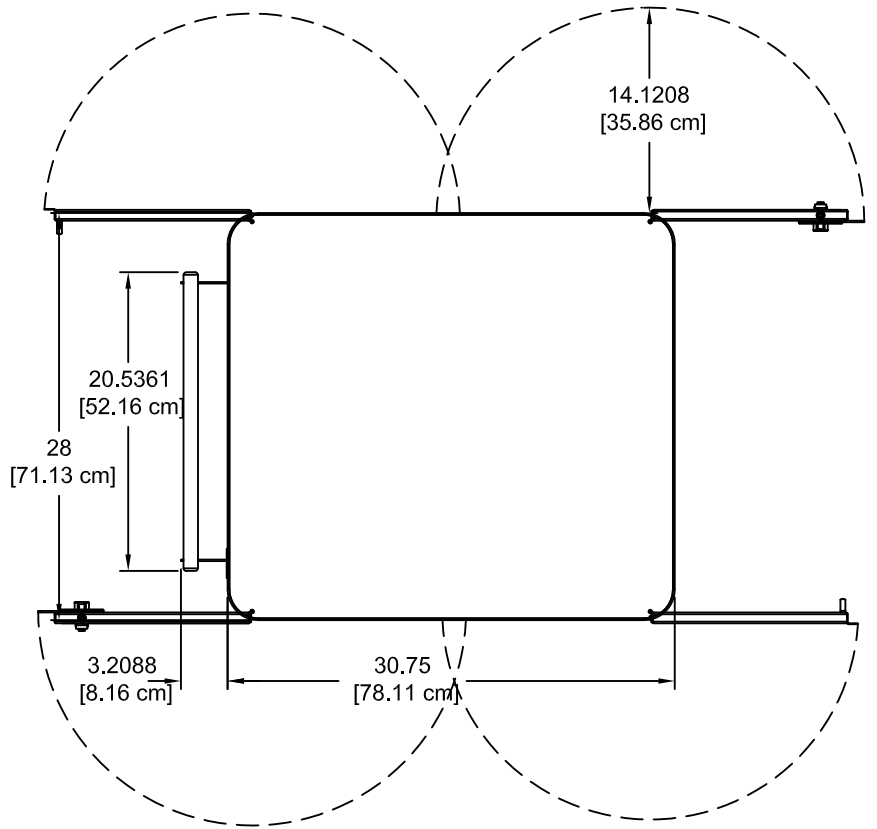
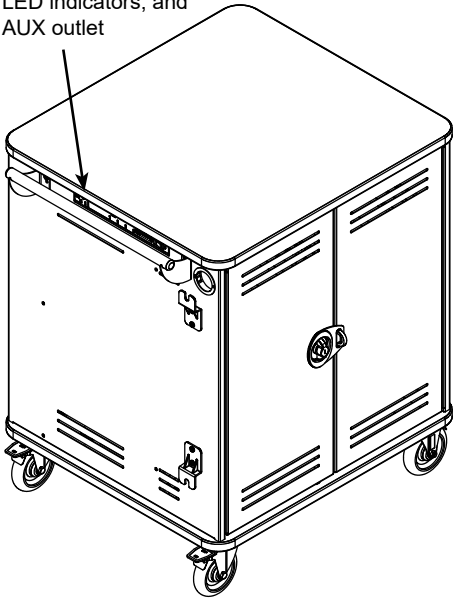
The eLogix™ timer charges one half of the devices for 15 minutes, then charges the second half of the devices for another 15 minutes. This cycling occurs automatically and is not adjustable. Maximum charging capacity: 2,880 watts.

- Two timed power-unit dedicated outlets (labeled A, B) (up to 10A power output)
- Two green LED lights indicate charging activity status
- One auxiliary outlet (external)
- ETL certified to UL 60950-1

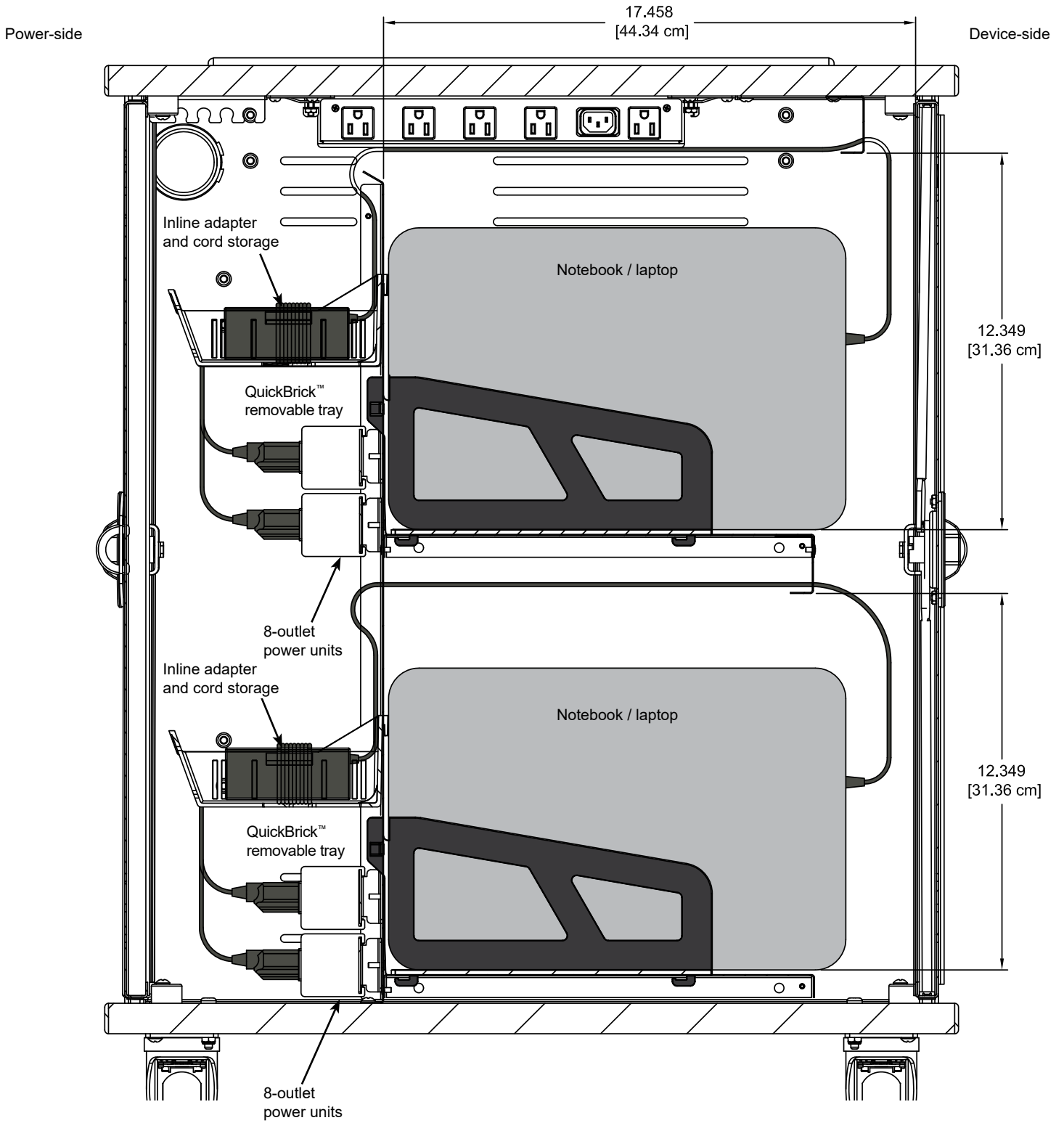
Input:	125V~/12A, 60Hz
Breaker:	15A, 250 VAC
Cycling interval:	15 minutes
Cycling outlets:	4 timed (A, B) up to 10A
Auxiliary outlet:	1A (controlled by main power switch)
Power Cord:	IEC quick-release (replaceable) 8' nominal, 14 AWG, 3-wire
Power switch:	15A (externally accessible)

External power switch,
LED indicators, and
AUX outlet

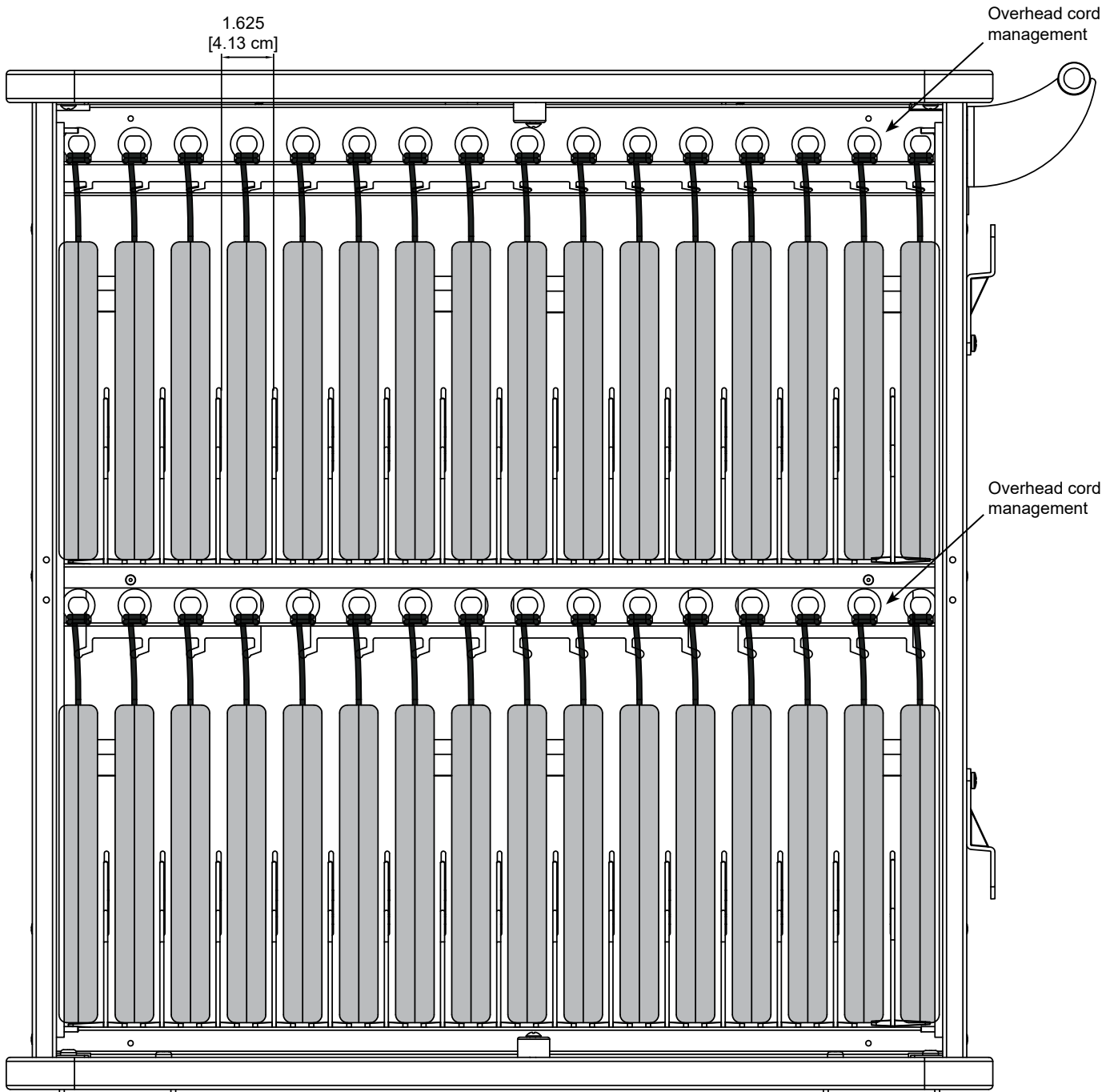
Pro32 Notebook Cart



Section view A-A



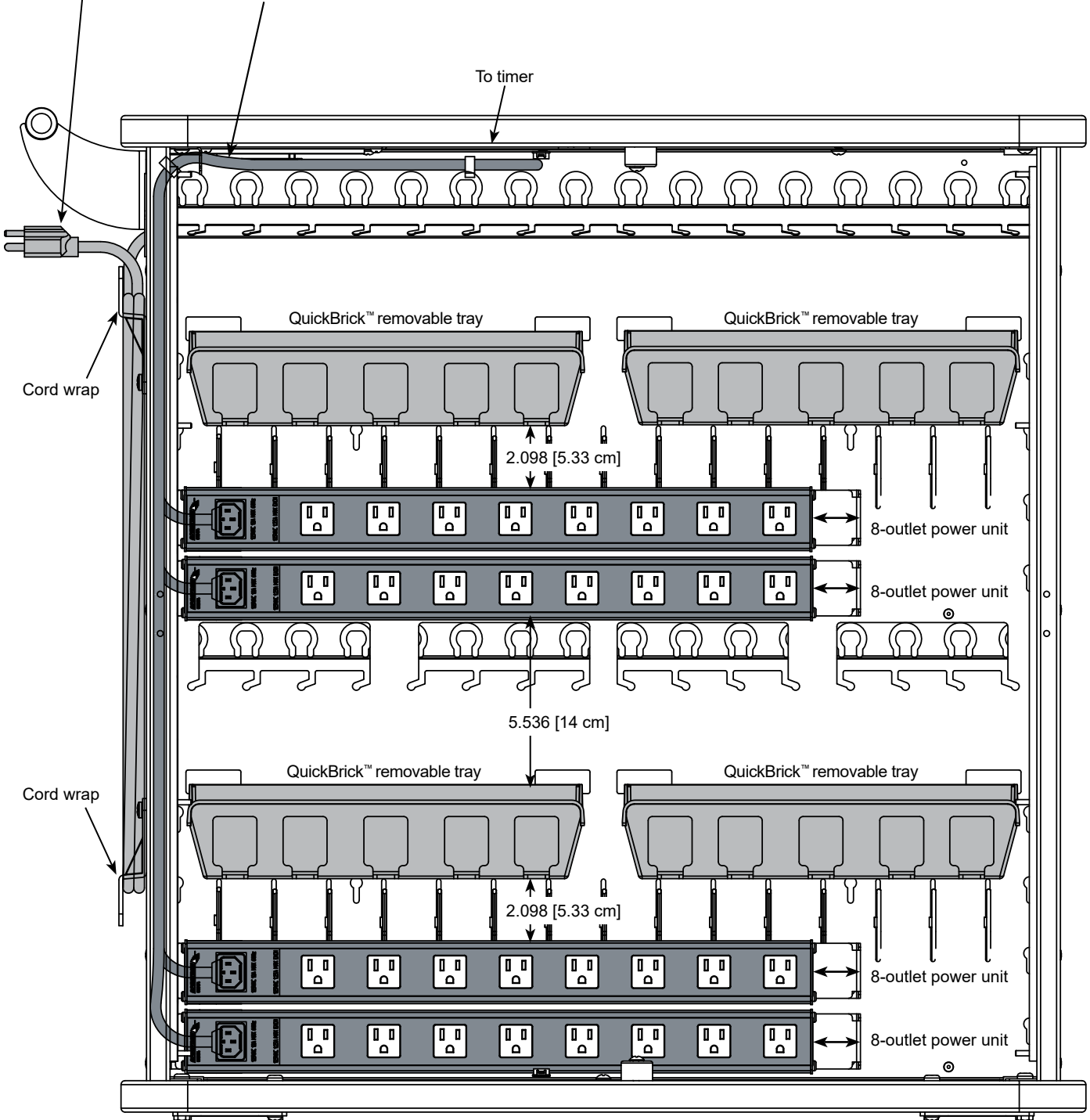
Device-side view wiring diagram
(shown without doors)



Power-side wiring diagram
and power unit adjustability
(shown without doors)

8' nominal [1m] 14 AWG,
3-wire IEC power cord
(to wall outlet)

14 AWG, 3-wire IEC power
cord on each lower power unit
(to PowerProdigy™ timer)

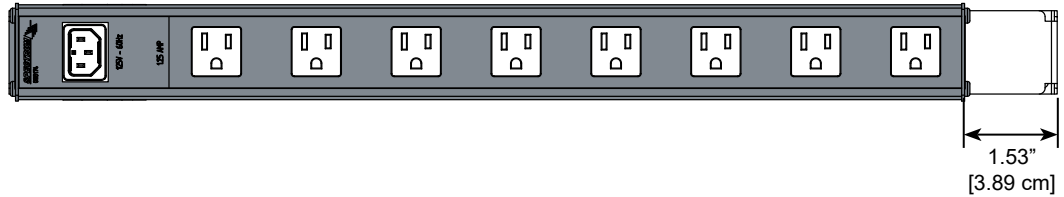


Note: Each 8-outlet power unit is designed with 1.5" of horizontal adjustability to provide outlet stagger if necessary. This helps accommodate a wide variety of wall adapter plug sizes and configurations.

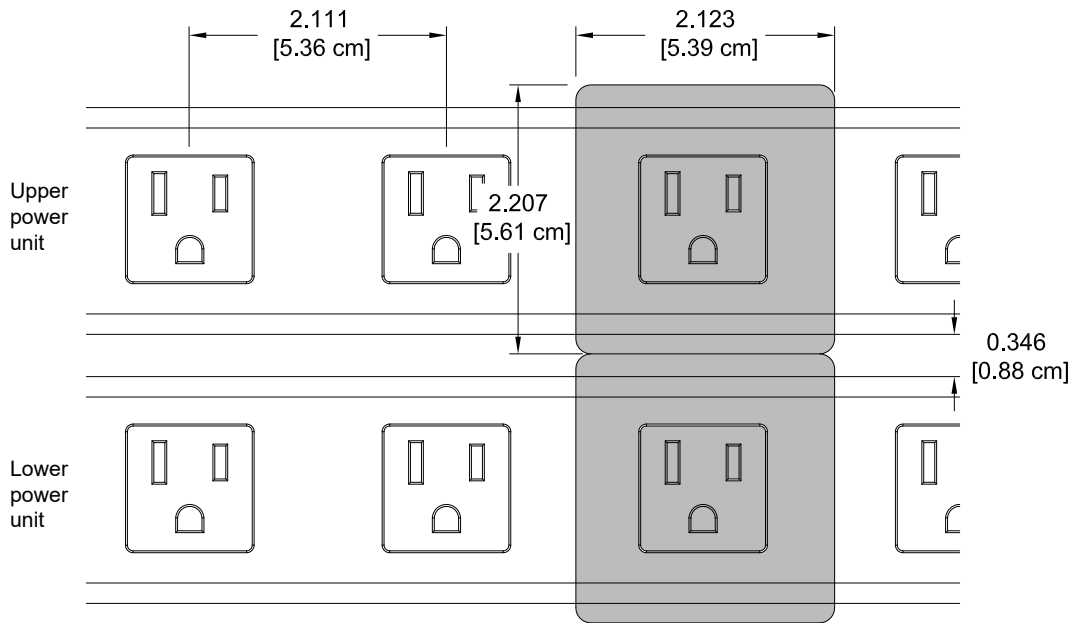
Each power unit can also be relocated to a higher vertical position using secondary sets of keyhole slots. This can be done to accommodate extra large wall adapters. The QuickBrick™ trays have to be removed in this configuration.

Power unit adjustability

Note: Each 8-outlet power unit is designed with 1.53" of horizontal adjustability to provide outlet stagger if necessary. This helps accommodate a wide variety of wall adapter plug sizes and configurations.



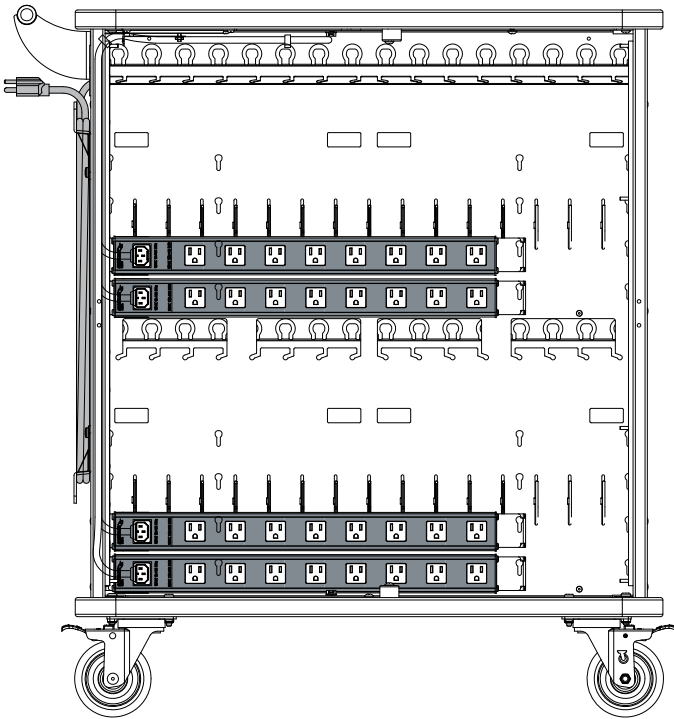
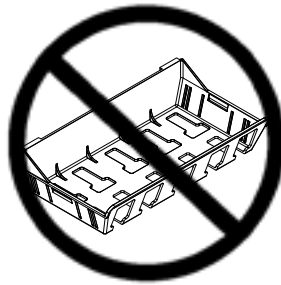
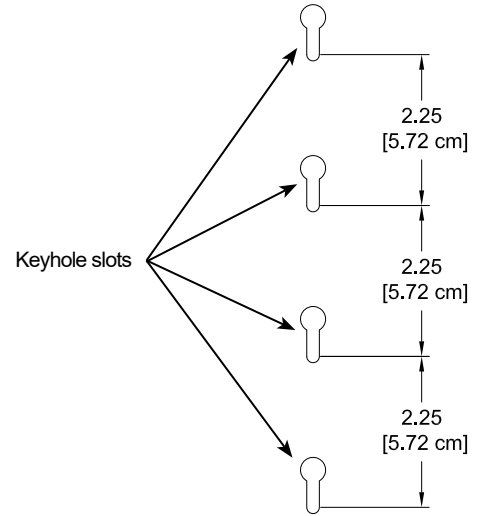
Nominal outlet spacing on each 8-outlet power unit



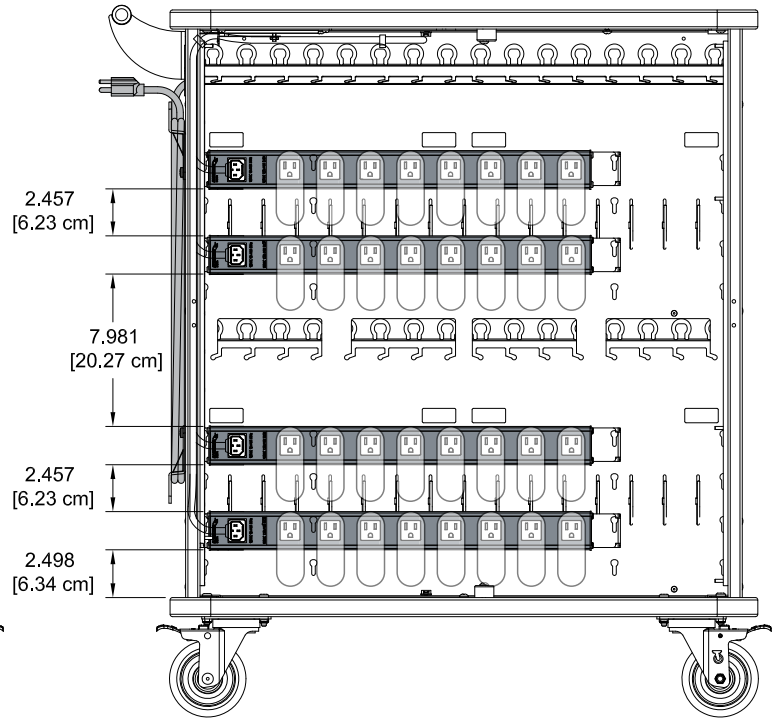
(See p.8 for spacing above and below outlets)

Power unit vertical adjustability
(shown without door)

Note: 4 sets of keyhole slots provide the ability to vertically relocate each 8-outlet power unit. This can be done to provide clearance for extra large wall adapters. Loosening two screws on each power unit allows easy adjustment. The QuickBrick™ trays are not needed and have to be removed in this configuration.

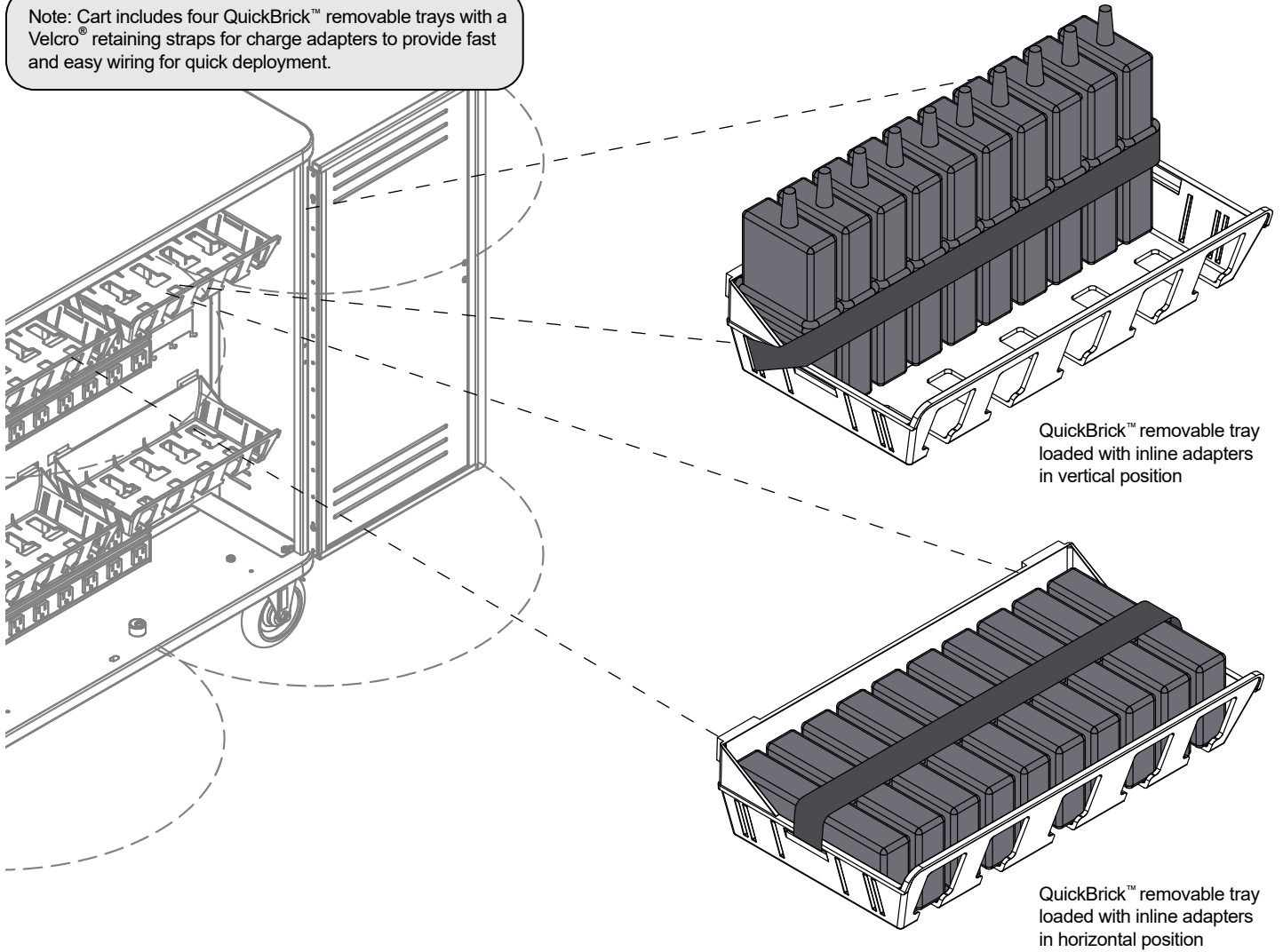


Factory-installed position

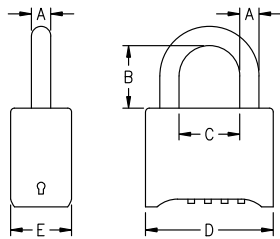


Typical spaced positions
for large wall adapters

Note: Cart includes four QuickBrick™ removable trays with a Velcro® retaining straps for charge adapters to provide fast and easy wiring for quick deployment.



Accessories



A	.3125" [7.9 mm]
B	1" [25.4 mm]
C	.983" [25 mm]
D	2.07" [52.5 mm]
E	.987" [25.1 mm]

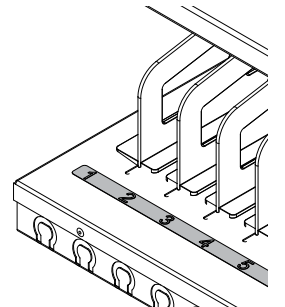
Re-programmable 4-digit Combination Lock - 95536

- Set your own 4-digit personalized combination (up to 10,000 options)
- 5/16" hardened steel shackle for cut-resistance
- Black powdercoated die-cast body for durability
- Change key included
- Unit weight: .55 lb [.25 kg]



Hook-and-loop Strap Kit - 95004

(16) .75" [1.91 cm] x 12" [30.48 cm],
and (32) .75" [1.91 cm] x 5" [12.7 cm]



Slot labels for Pro32 - 55477

- Black numbers on transparent adhesive backer
- 1-16 label, 17-32 label

See spectrumfurniture.com for the latest accessories and detailed warranty information.

Warranty

We will make it right for you!

Thanks for choosing Spectrum! Spectrum is committed to provide complete customer satisfaction. Each of our products is manufactured from the best materials available and each product is stringently monitored throughout the production process through our P.A.C.E. program (Product Assurance to meet Customer Expectations).

We expressly warrant that Spectrum products will be of good quality and workmanship and free from defect for the period set out in the warranty from the date of delivery.

For a listing of all product specific warranty terms please visit our website at:

<https://www.spectrumfurniture.com/en/resources/purchasing-terms-warranty>

1-800-235-1262

Toll-free HELPLINE

spectrum@spectrumfurniture.com