

# Assembly Instructions

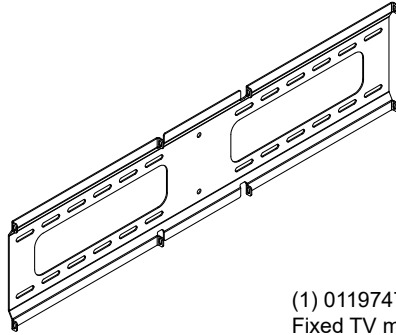
## ⚠ Important ⚠

Before you begin, read and comply with all safety and operating instructions, and ensure all parts and correct quantities are included.

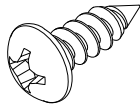
Any parts damaged during shipment must be reported within 5 days of receipt. To report information regarding missing parts or damage, to purchase parts or accessories, or if you have any questions, please contact us.

[www.spectrumfurniture.com](http://www.spectrumfurniture.com)  
800-235-1262, 715-723-6750

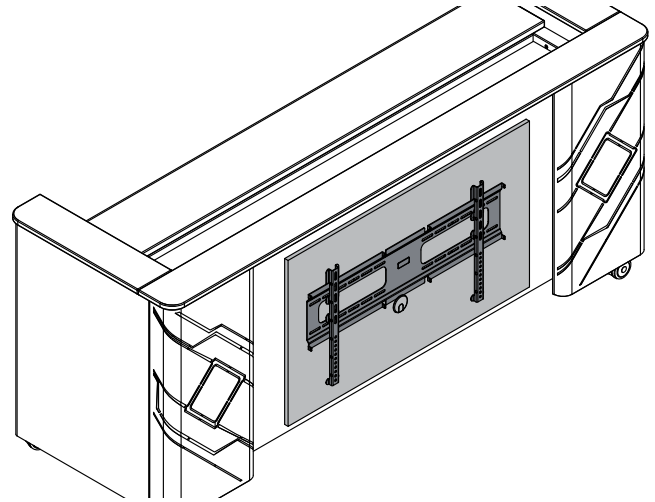
Thank you for purchasing Spectrum products!



(1) 0119747  
Fixed TV mount



(4) 038064  
#14 x 3/4" PHSM



## Monitor Mount for Shoutcaster Station 37387

- The 37387 Monitor Mount works with the 84"W Shoutcaster Station (on audience-side) and can accommodate most monitors up to 50" diagonal. (53" width available).
- The audience-side logo panel should be removed (if equipped) before installing the monitor mount.



### 1. Attach mount to audience-side

1. From behind the audience-side panel, use a 3/16" drill bit to carefully drill through the panel at the (4) corresponding pre-drilled pilot hole locations. Drill slowly or use masking tape to minimize chip-out.
2. Attach TV mount to audience-side with (4) #14 x 3/4" PHSM screws.

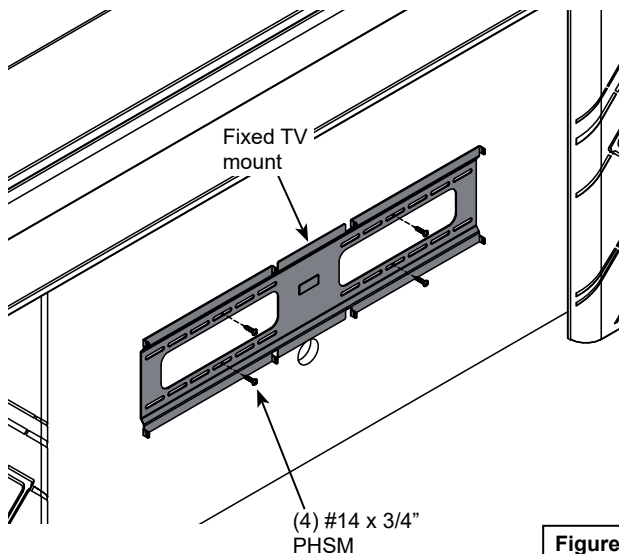


Figure 1

### 2. Install monitor



Note: See instructions included with monitor mount for installation and setup.

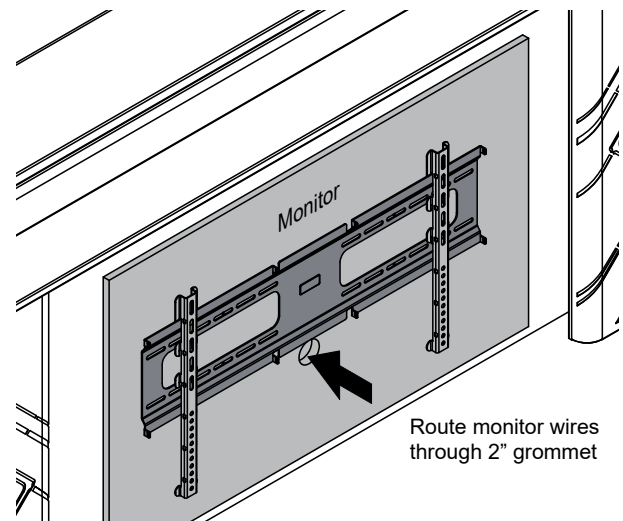


Figure 2