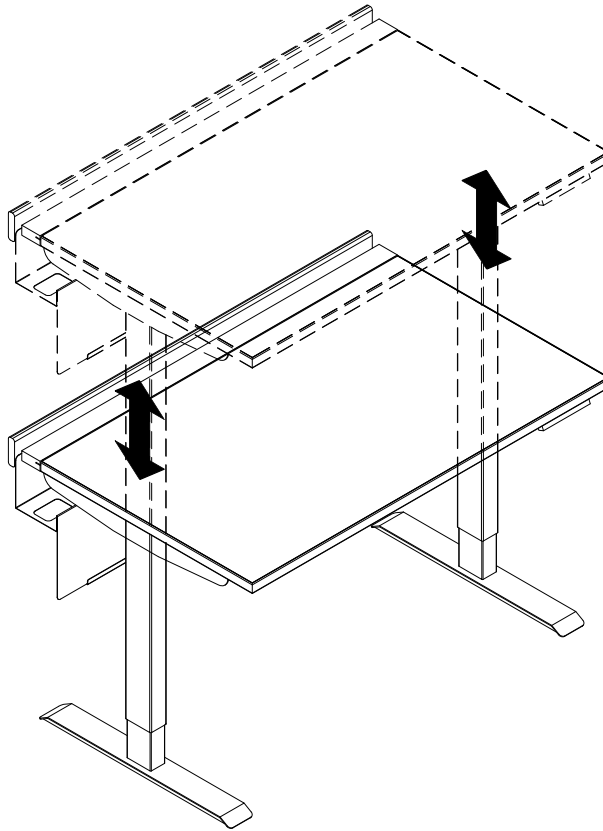


Technical Specifications

38926



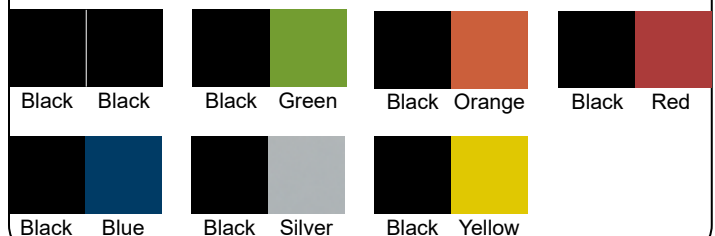
Use the Esports Evolution Electric Sit-to-Stand Desk where worksurface height adjustment or ADA compliance is required. Designed as a companion to Spectrum's Esports Evolution line of desks, this adjustable height desk features electric actuators that provide 19.75" of worksurface height adjustment with a lift capacity of 440 lb. The desk includes glides for stationary use or casters for easy mobility.

Features and Benefits

- Electric telescoping legs provide 19.75" of worksurface height adjustment
- Available in 44"W x 30"D
- Upper and lower height limit locks
- Child lock-out prevents unauthorized height adjustment
- Full-length flip-top door for easy cable and wire-access
- Continuous steel cord channel / modesty panel adds strength, keeps computer wires and cables out of the way, is wide enough for most power strips, and allows easy daisy chaining of desks.
- Scratch and impact-resistant high-pressure laminate worksurface
- Worksurface brace provides support and minimizes flexing
- Durable powder coated (black) steel legs provides a long-lasting finish
- Solid oak chair rail protects wires and cables, and the back of the desk
- Choice of stationary glides or 3" locking casters (both included)
- Vinyl edge trim on worksurface edges protect walls and furniture
- Matte black finish minimizes glare and player distraction
- Color accents match chairs and arena / team branding
- Optional CPU sling provides mounting for CPU tower
- Standard esports desk colors available to match existing furniture
- Ships KD (knocked down) and requires assembly
- Meets or exceeds applicable ANSI-BIFMA test standards
- Warranted to be free of all defects in materials and workmanship for 10 years
- Designed and assembled in Chippewa Falls, WI, USA

Color Options

- Electric legs are available in black powder-coated metal only.
- Worksurface laminate is black.
- Edgeband/chair rail accents available in black, green, orange, red, blue, silver and yellow.
- See spectrumfurniture.com for complete color information.




Ordering Instructions

Spectrum has designed this product to receive the useful options shown here. To ensure your options are ordered correctly please call 1-800-235-1262.

Construction

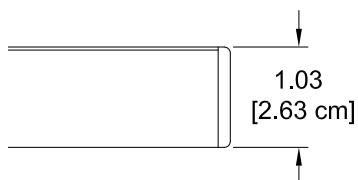
- The worksurface is constructed from 1" thick composite board with .030" high-pressure laminate on one face, and a balancing phenolic backer on the opposing face
- Worksurface edges are covered with vinyl edgeband
- The formed worksurface brace is 14-gauge steel
- All metal components are finished with a scratch-resistant powder coat epoxy
- Chair rail is 3/4" thick NAF with .030" [.762mm] laminate on both faces
- Desk is shipped knocked-down (KD) and requires assembly

Specifications

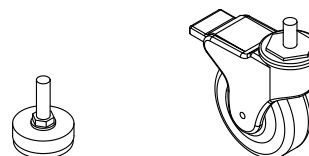
Sizes available	44"W [111.8 cm] x 30"D [76.2 cm]	
Worksurface height adjustability (floor to top of worksurface)	Casters: 50.25"H [127.6 cm] (fully-raised) 30.5"H [77.5 cm] (fully-lowered)	Glides: 48.5"H [123.2 cm] (fully-raised) 28.75"H [73 cm] (fully-lowered)
Cord channel dims	5"D [12.7 cm] x 4.5"H [11.4 cm]	
ADA-compliance*		1 ADA seat per table <i>*Minimum ADA guidelines for knee clearances are 30"W x 19"D x 27"H</i>
Electrical	<ul style="list-style-type: none"> • Range of motion: 19.75" [50.2 cm] • ~26 seconds from fully-lowered to fully-raised • Digital height display • 4 memory presets with keypad lock • Upper and lower height limit locks • Child lock-out prevents unauthorized height adjustment • Soft start / stop 	<ul style="list-style-type: none"> • 110 VAC • Anti-collision protection • Max load: 979N (220 lb) [100 kg] per actuator • Total lift capacity: 440 lb [200 kg] • Actuators tested for 40,000 cycles • Approved by: CE, UL, CUL, SAA • Electric legs are black powder-coated metal
Casters	<ul style="list-style-type: none"> • Overall height: 2.375" [6 cm] • Wheel diameter: 1.5" [3.81 cm] • Rotational and swivel-locking 	
Certifications / Compliance	<ul style="list-style-type: none"> • SCS Indoor Advantage Certified 	<ul style="list-style-type: none"> • Meets or exceeds applicable ANSI-BIFMA test standards
Shipping weight (nominal)	45.75 lb [20.8 kg]	

Specifications subject to change without notice

Worksurface edge



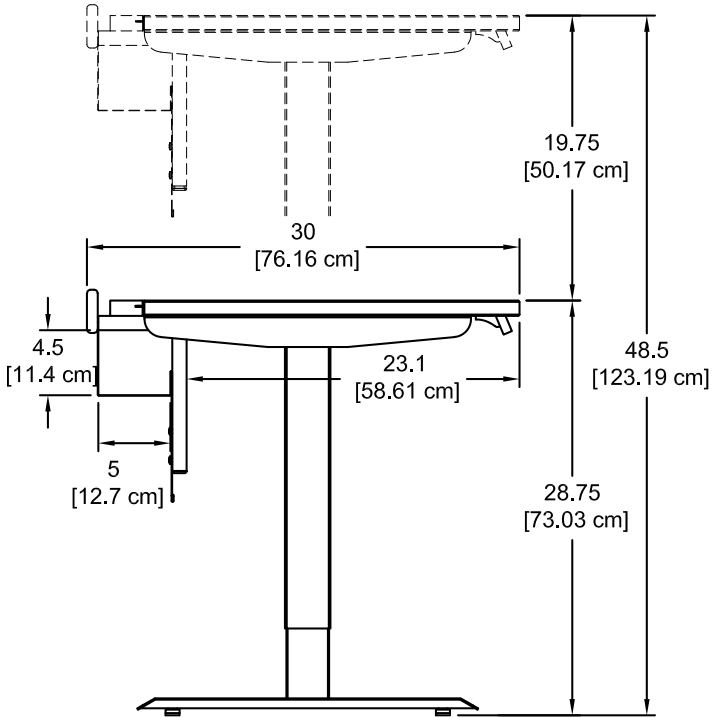
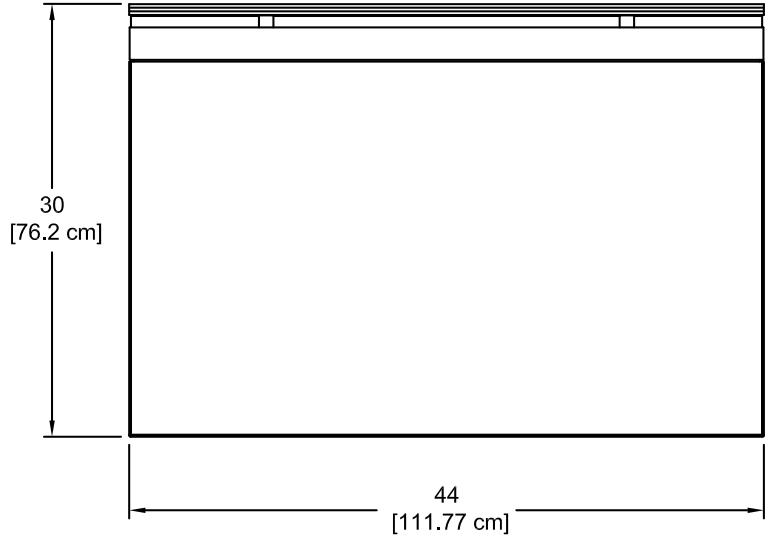
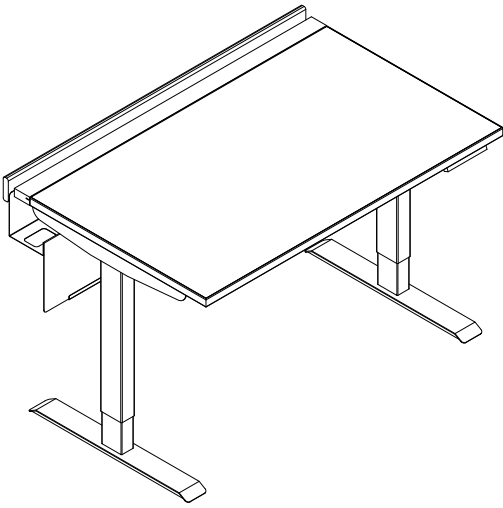
4 Glides and 4 Casters included



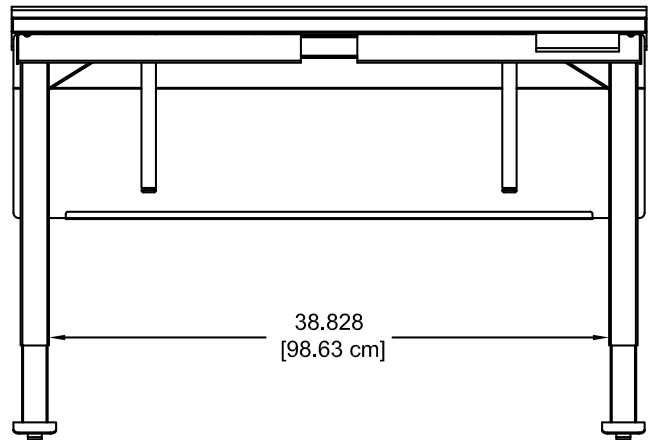
Control panel



Esports Evolution Electric Desk

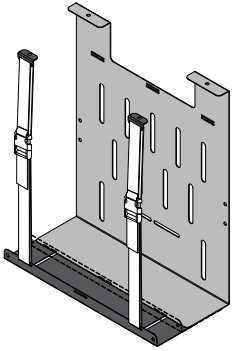


Shown with glides.



Note: When determining leg spacing with optional CPU sling 38925 subtract the width of each CPU sling (up to 2) from the leg spacing dimension shown.

Accessories

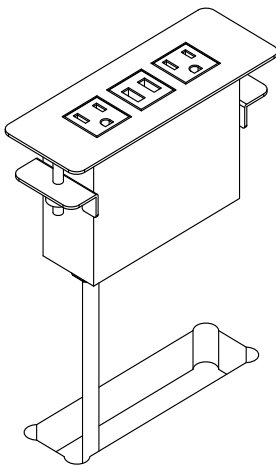


CPU Sling - 38925

- Provides CPU tower storage under worksurface
- 5"-8.5"W x 18"D x 17.935"H
- Each table can support (2) CPU slings (1 per side)
- Available in Dark Gray (D), Putty (P), or Black(B)
- 16 ga steel
- Unit weight: 10 lb [4.5 kg]
- Shipping weight: 11.5 lb [5.2 kg]



See spectrumfurniture.com for complete details on Spectrum's full line of monitor arms.



Power Module - 99058

- (2) AC power outlets
- (2) USB charge ports
- Aluminum housing and flange
- Thumbscrew clamps
- Requires worksurface cutout made by customer
- ETL-certified
- Available in black, silver, or white
- Customer-installed

Cutout required:	5.65"W [14.35 cm] x 1.65"D [4.19 cm]
Power cord:	10' [305 cm] 14AWG *3C power cord
Power receptacles:	125V, 60hz, 15A tamper-resistant
USB charging ports:	2.1A (10.5W) (not data-compatible)
Dimensions:	6.38"W [16.2 cm] x 2.36"D [6 cm] x 3.54"H [9 cm]
Unit weight:	2 lb [.9 kg]
Shipping weight:	2.35 lb [1 kg]



Product update

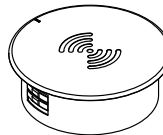
New USB-C Power Module version available. See details at:

www.spectrumfurniture.com



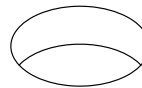
7-Outlet Power Strip - 99024

- Electrical Rating: AC 125V, 15 Amps
- 1000 Joules surge capacity
- 12' cord length
- LED switch
- UL Listed
- Shipping weight: 1.9 lb [.86 kg]



EM Wireless Charging Pad - 99057

- Uses electromagnetic technology to charge Qi V1.2 compliant IC devices ("Qi" enabled)
- LED to confirm pairing / charging
- Security tab prevents theft
- Requires 3" round cutout to be made by customer
- UL-certified



Note: The unit requires a 7" diameter of clearance to work with Qi-enabled phones placed in any orientation. The 3" dia cutout should be located on the worksurface at least 3.5" from any edge.

See spectrumfurniture.com for the latest accessories and detailed warranty information.

Warranty

We will make it right for you!

Thanks for choosing Spectrum! Spectrum is committed to provide complete customer satisfaction. Each of our products is manufactured from the best materials available and each product is stringently monitored throughout the production process through our P.A.C.E. program (Product Assurance to meet Customer Expectations).

We expressly warrant that Spectrum products will be of good quality and workmanship and free from defect for the period set out in the warranty from the date of delivery.

For a listing of all product specific warranty terms please visit our website at:

<https://www.spectrumfurniture.com/en/resources/purchasing-terms-warranty>

1-800-235-1262

Toll-free HELPLINE

spectrum@spectrumfurniture.com