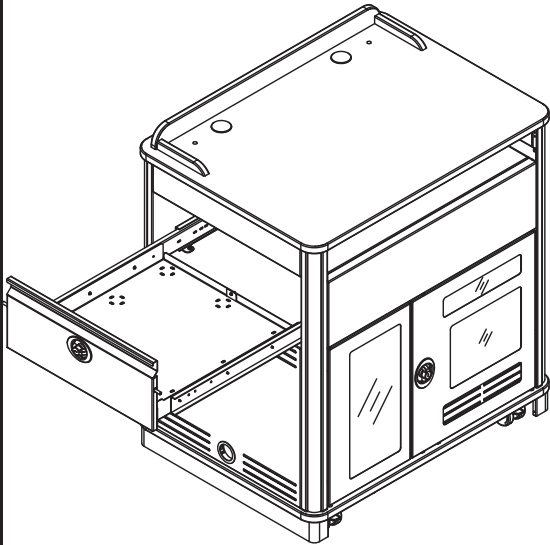
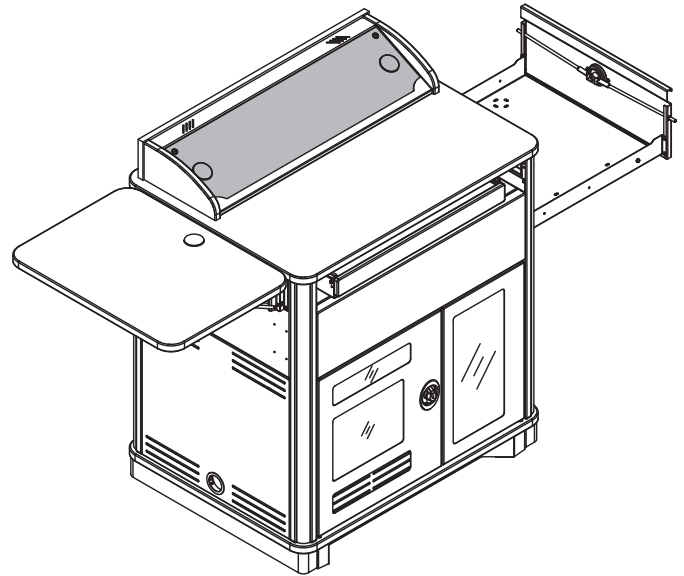


Media Manager Elite Lectern™

55153



Media Manager Elite with surround,
left drawer, rack cube installed on right



Media Manager Elite with overbridge,
right drawer, rack cube installed on left,
and toe kick, flip-up shelf on left



Important

Before using this product:

- Read this manual
- Comply with all safety and operating instructions
- Ensure all parts and correct quantities are included

Any parts damaged during shipment must be reported within 5 days of receipt. To report information regarding missing parts or damage, to purchase parts or accessories, or if you have any questions, please contact us.

Thank you for purchasing Spectrum products!



Important

Avant d'utiliser ce produit:

- Veuillez à lire ce guide
- Respectez les consignes de sécurité et d'utilisation
- Vérifiez que vous disposez de toutes les pièces nécessaires à l'installation

Les pièces endommagées pendant le transport doivent faire l'objet d'un rapport dans les 5 jours de leur réception. Veuillez prendre contact avec nous si des pièces manquent ou sont abîmées, si vous avez des questions, ou encore pour acheter des pièces ou des accessoires.

Merci pour votre achat d'un produit Spectrum!



Importante

Antes de utilizar este producto:

- Lea este manual
- Cumpla con todas las instrucciones de prevención de accidentes y operativas
- Revise que todas las partes y las cantidades correctas estén incluidas

Si alguna parte se dañó durante el embarque, deberá reportarla en un lapso de 5 días a partir de la recepción. Para reportar cualquier información sobre partes faltantes o dañadas, para adquirirlas o comprar accesorios, o bien, si tiene alguna duda, póngase en contacto con nosotros.

¡Gracias por adquirir productos Spectrum!

??



www.spectrumfurniture.com



Owner's Manual
Le manuel du propriétaire
El manual del propietario



Specs
Spécifications
Especificaciones



Video
Vidéo
Vídeo

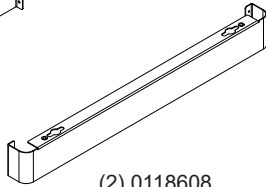


800-235-1262

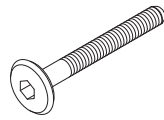
Hardware



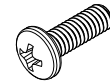
(1) 0118607
Audience-side skirt



(2) 0118608
Side skirt



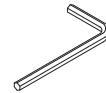
(6) 053310
1/4-20 x 40mm
JC bolts



(4) 0100167
8-32 x 1/2" PH
Thread-cutting screw

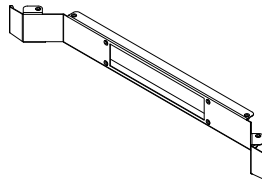
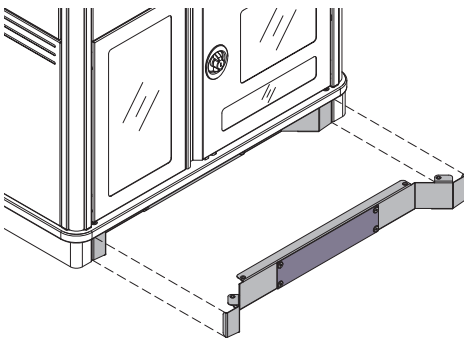


(4) 052605
1/4-20 x 15mm
JC bolts

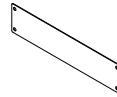


(1) 025039
4mm Hex
wrench

Toe Kick
(included with select configurations)



(1) 0118613
Toe Kick



(1) 0118614
Toe Kick Plate

Note: If the toe kick will be anchored to the floor, (4) fasteners are required that will work with the 1/2" diameter holes on the toe kick. Due to the wide variety of flooring materials and conditions possible, anchor fasteners are not provided.

1. Install 3-piece skirt



1. Attach the two side skirts to the audience-side skirt with (4) 8-32 x 1/2" PH Thread-cutting screws. **Figure 1.1.**
2. Move lectern into position over the assembled skirt as shown. **Figure 1.2.**

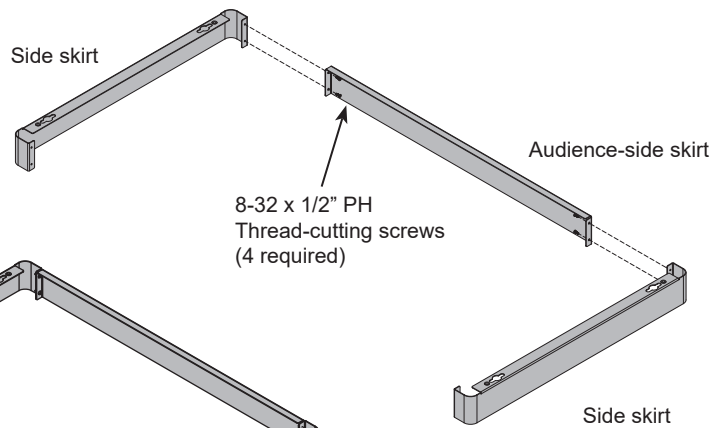


Figure 1.1

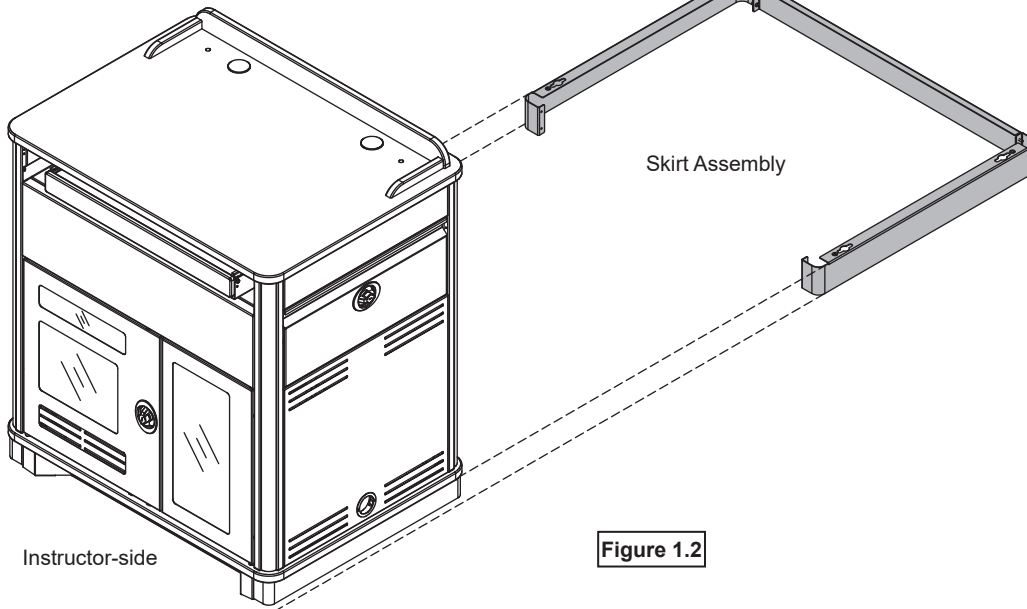


Figure 1.2

3. Hook the skirt keyhole slot at the end of each side skirt over the pre-installed #14 x 7/8" PHSM screw. **Figure 1.3.**
4. From inside the lectern (on audience-side), install (2) 1/4-20 x 40mm JC bolts through the base panel to secure the assembled skirt, and tighten securely.

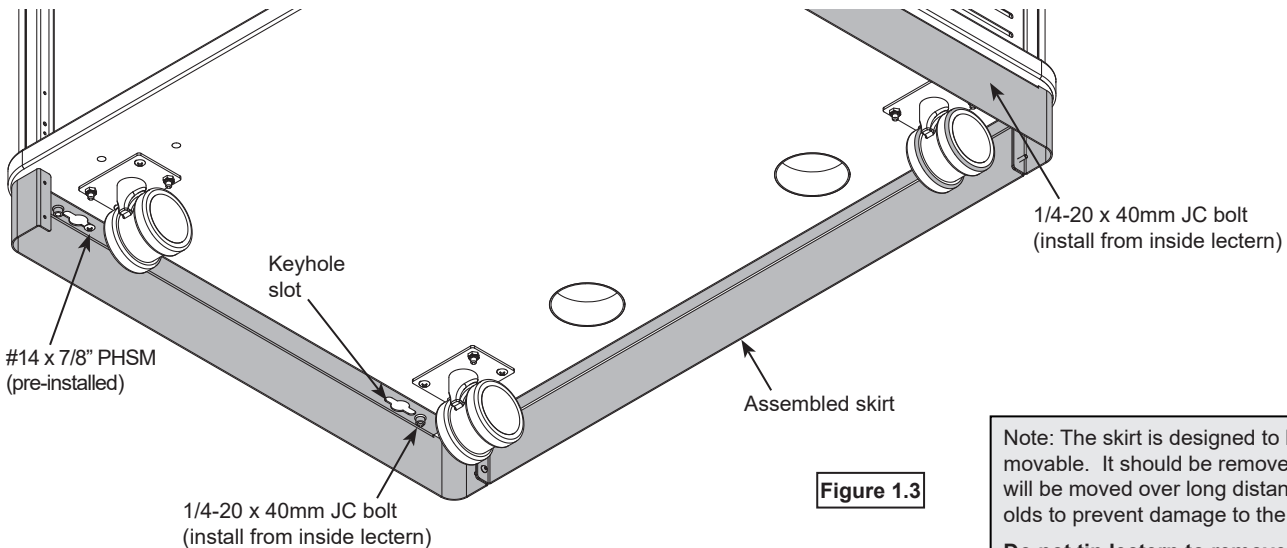


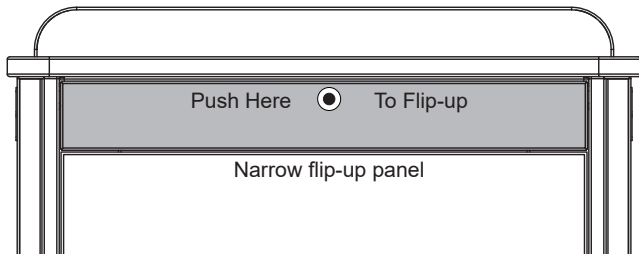
Figure 1.3

Note: The skirt is designed to be easily removable. It should be removed if the lectern will be moved over long distances or thresholds to prevent damage to the skirt panels.
Do not tip lectern to remove or install!

Audience-side Panel

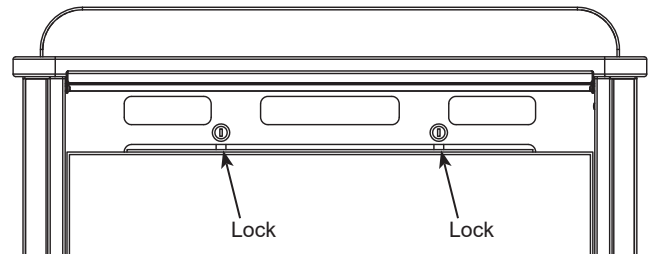


1. Push in the top of the narrow flip-up panel to access the locks.
(Do not pry open this panel). **Figure 2.1.**
2. Unlock both locks while supporting the audience-side panel. **Figure 2.2.**
3. Lift out the panel. **Figure 2.3.**



Audience-side
panel

Figure 2.1



Audience-side
panel

Figure 2.2

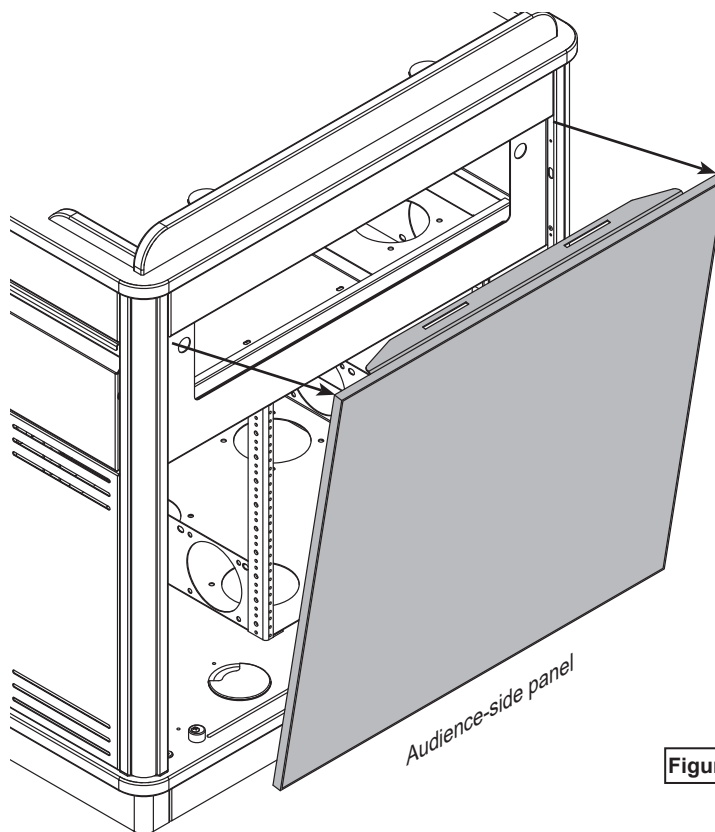


Figure 2.3

Quick-release Doors

The doors can easily be removed for easier access using the quick-release hinge lever located on the upper hinge pin of each door.

Figure 3.1. To remove, lift the lever while lifting out the door.

The doors can be switched to be hinged from the left or right-side.

To switch the hinge side:

1. Remove the door using the quick-release lever. **Figure 3.2.**
2. Rotate the door 180°. **Figure 3.3.**
3. The vented panel should be located on the bottom of the door. Switch the lower vented metal panel with the upper acrylic panel (requires removing or loosening 8-32 nuts.) **Figure 3.4.**
4. Switch the corner hinge components as shown and tighten securely.
5. Re-install the door.

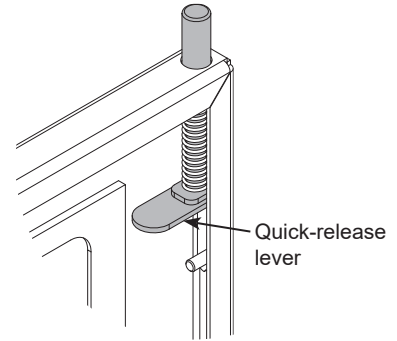


Figure 3.1

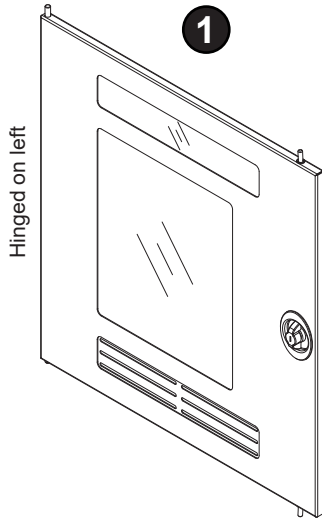


Figure 3.2

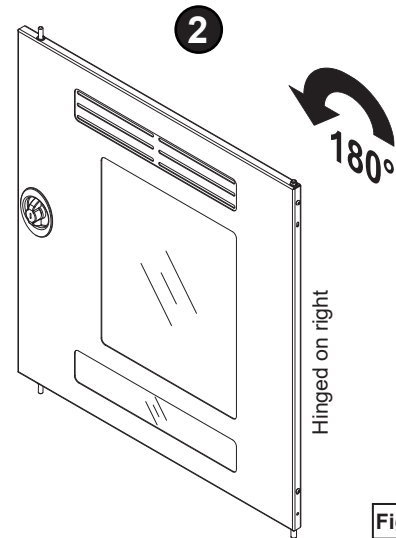


Figure 3.3

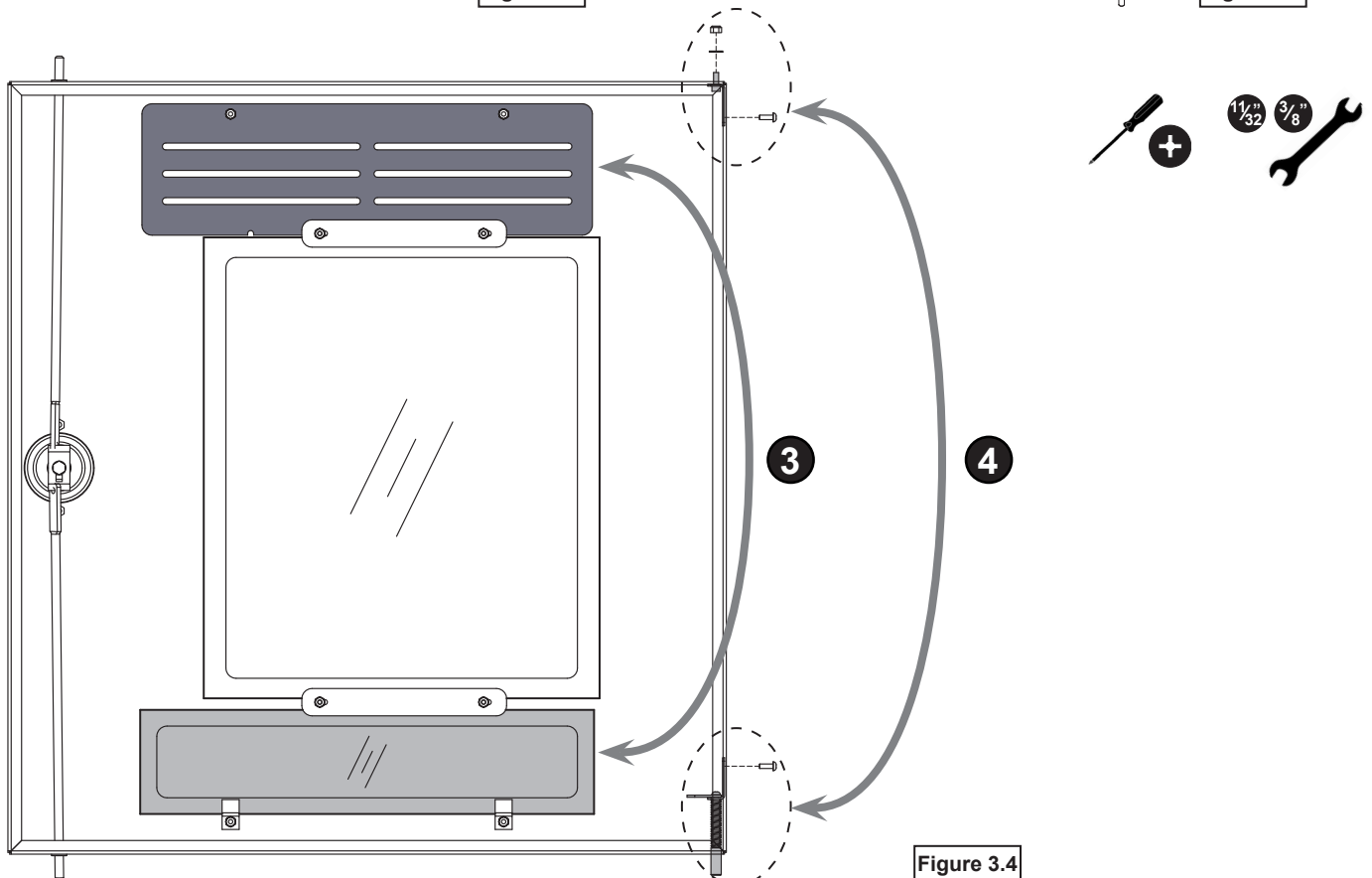


Figure 3.4

Flipping keyboard tray / drawer - Optional

Note: Can be used as a keyboard tray, or flipped and used as a drawer.

1. To flip, pull the tray out fully and locate the black plastic lever on each slide. **Figure 4.**
2. Release the levers on the both slides while pulling the tray out.
3. Flip the tray over, re-align the slides, and push back in.

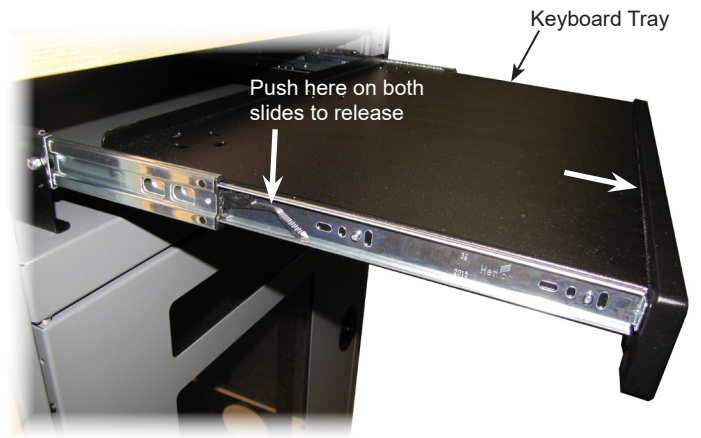


Figure 4

Optional Rack Cube



The removable rack cube (12RU) simplifies installation and provides the ability to integrate equipment remotely. The cube can be installed into the lectern at a later date. The cube also provides mounting capabilities for multiple cooling fans if necessary. Compatible with most 4.75" cooling fans with 4.13" mounting hole spacing (12 mounting locations available). **Figure 5.**

1. To remove the rack cube, open or remove the doors. **Figure 5.1.**
 2. Unscrew the #14 x 7/8" PHSM screw from the base, and slide out the cube. **Figure 5.**
- To move the rack cube to the other side of the lectern, all that is needed is to remove the (5) bumper stops in the base panel with a 4mm hex wrench, and relocate them to the opposite side of the base panel. The doors can easily be removed and switched using the quick-release levers.

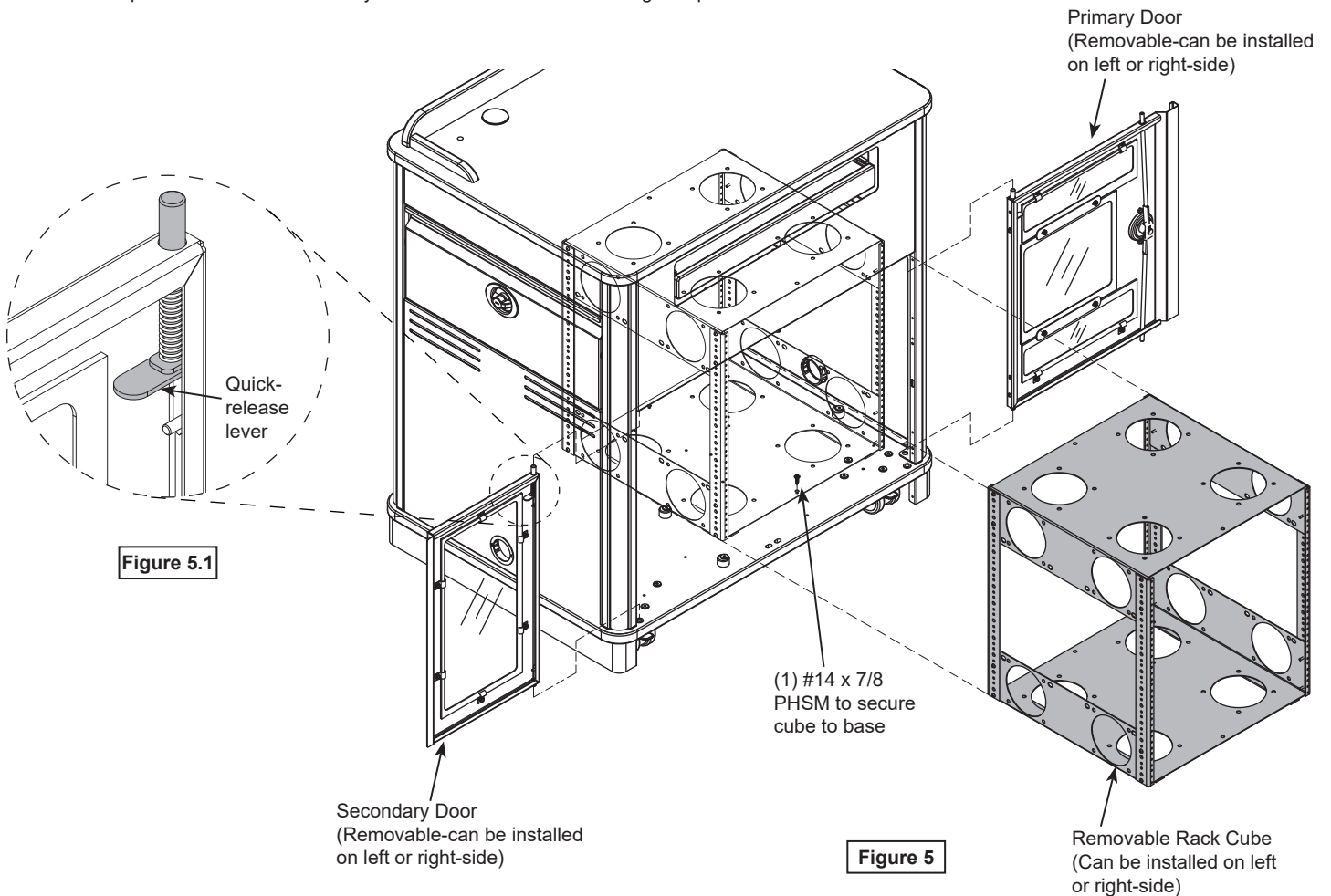
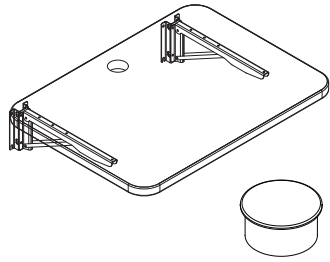


Figure 5.1

Figure 5

Optional Flip-up Shelf installation

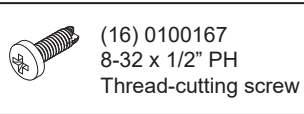
Installation video available
See www.spectrumfurniture.com



(1) Flip-up shelf assembly

(1) 039622
2" Grommet

For metal side panels



For laminate side panels

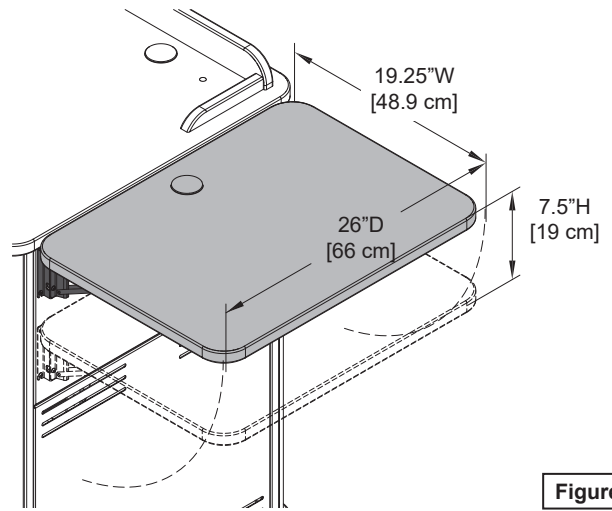
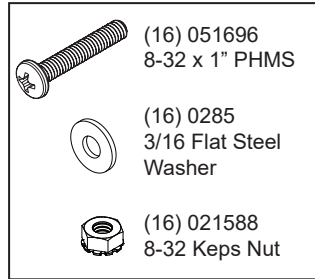


Figure 6

1. Determine:

- The side of the lectern the shelf will be installed. (Left or right). Note the shelf will install on the opposite side as the drawer.
- The shelf position: (Upper or lower)
- Type of side panels your lectern has (metal or laminate) **Figure 6.1**

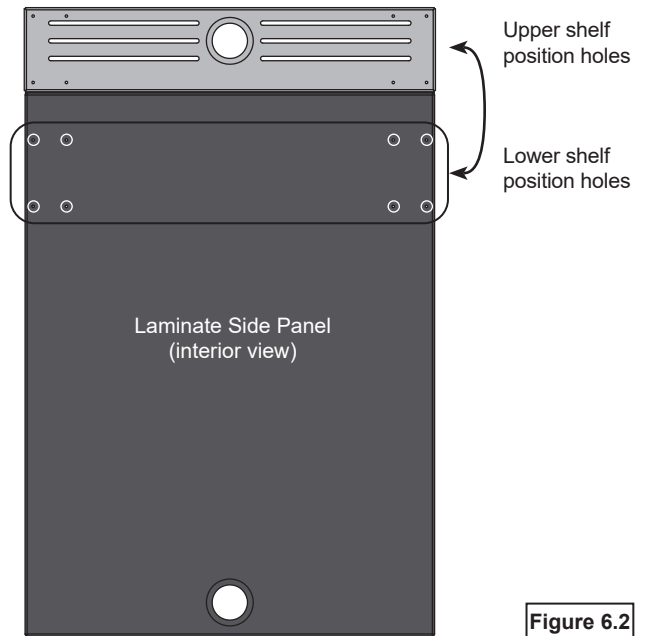


Figure 6.2

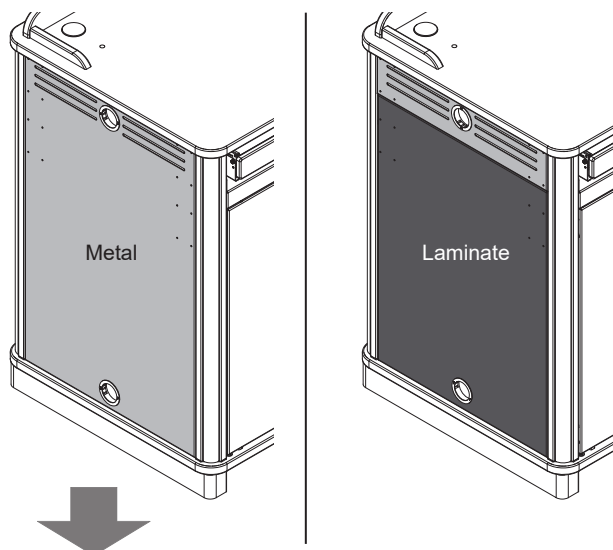


Figure 6.1

Proceed to Step 2

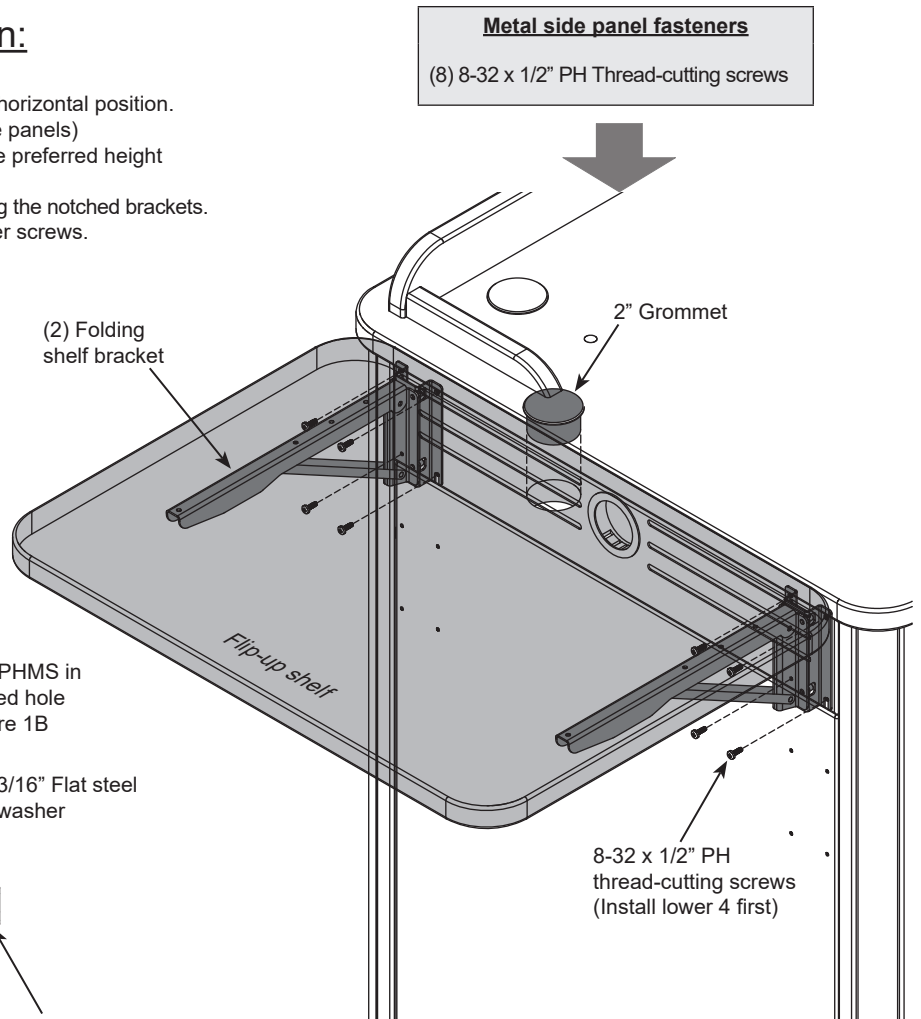
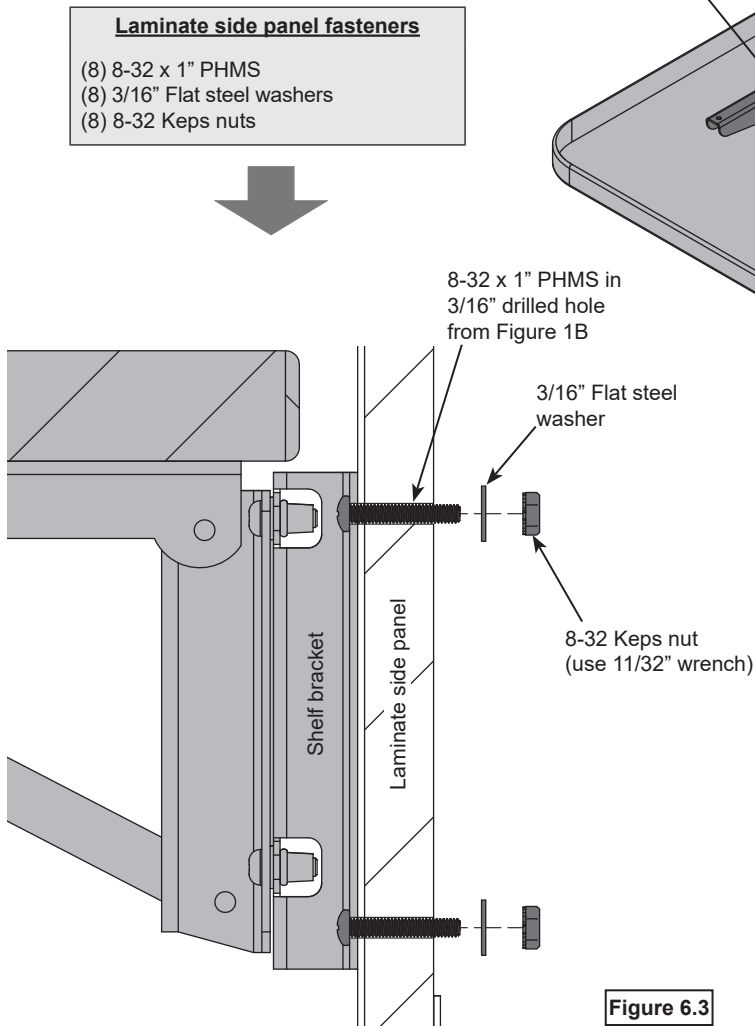
Attaching to laminate side panels:

1. Open the lectern door and remove the rack cube (if equipped).
2. From inside the lectern, use a drill with a 3/16" drill bit and slowly drill out the corresponding pre-drilled pilot holes located on the laminate side panel. **Figure 6B**. Masking tape can be used on the exterior to minimize chip-out.

Drill with 3/16" drill bit

2. Attach shelf brackets to lectern:

1. Extend and lock each folding shelf bracket into the horizontal position.
2. Select the fasteners needed (Metal or laminate side panels)
3. Install the (4) lower screws into the side panel at the preferred height leaving about 1/4" of threads exposed.
4. Set the shelf assembly onto the (4) lower screws using the notched brackets.
5. Secure the shelf assembly by installing the (4) upper screws.
6. Tighten all 8 screws securely.
7. Install 2" grommet in shelf.

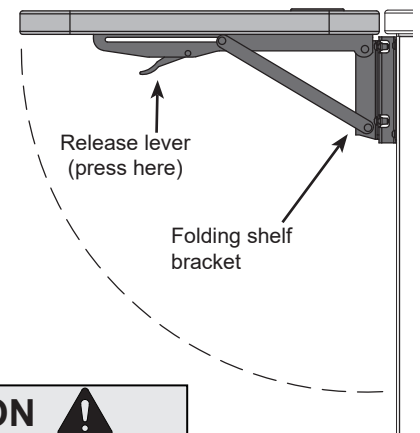


3. Operation:

Operation

The shelf will automatically lock into place when lifted into the horizontal position with the levers released. **Figure 6.5**. To lower or flip-up the shelf, press and hold the shelf bracket levers while slowly lowering or raising the shelf. Do not move the lectern while the shelf is in the horizontal position.

Note: Power and communication wiring for document cameras, laptop computers, and / or projectors placed on the flip-up shelf should be routed on top of the audience-side of the shelf. Use of the shelf grommet hole for wiring will result in pinching of the cords when the shelf is folded.



CAUTION



Keep clear of pinch points during shelf movement.
 Do not exceed 35 lbs [15.9 kg] of weight on shelf.

Figure 6.5

Optional Overbridge Insert Panel Cutouts

1. Before you begin, refer to the panel dimensions in **Figure 7.2** for maximum recommended cutout sizes.
2. Identify the size and position (left, centered, or right) of each cutout needed.
3. Identify the depth of your device to verify it will not interfere with the worksurface or any other objects under the overbridge when the panel is attached. **Figure 7.3**.
4. When the cutout location(s) have been determined, locate and mark the exact cutout area(s) on the panel with a pencil. **Note: Using masking tape on cut lines will minimize laminate chipping while cutting.**
5. Carefully make the cutout(s) in the panel using a jigsaw or router.
6. Set the panel into the overbridge frame opening. Note: It may be necessary in some cases to install the electronic device into the panel before attaching the panel to the overbridge.
7. Secure with (2) 1/4-20 x 35mm JC bolts and tighten securely.
8. Install (2) 2" grommets.

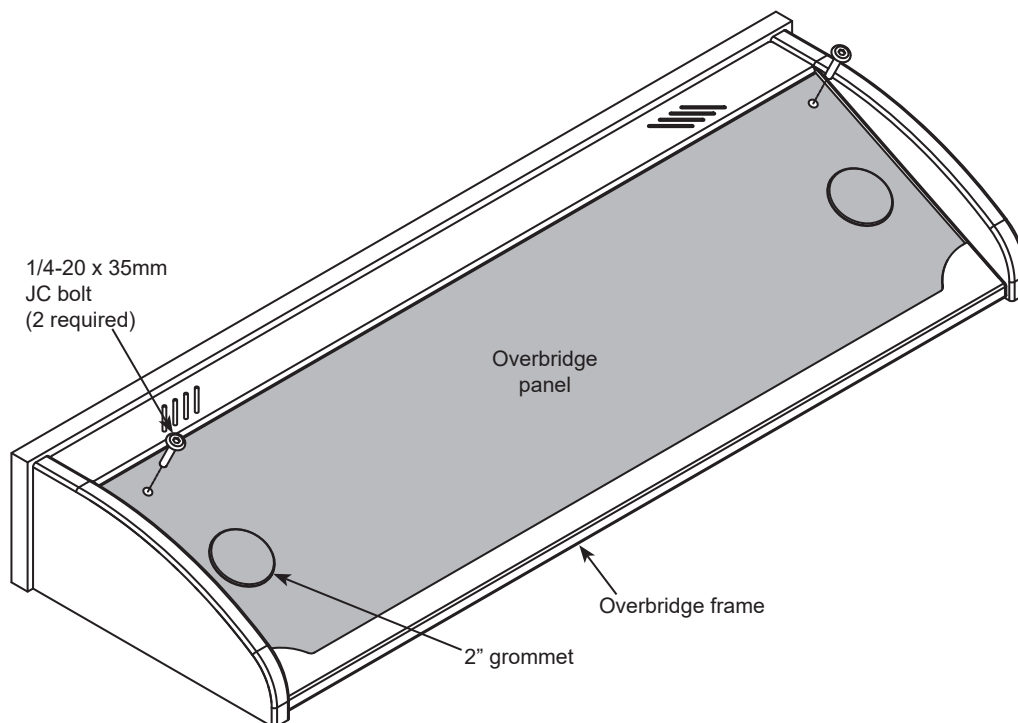
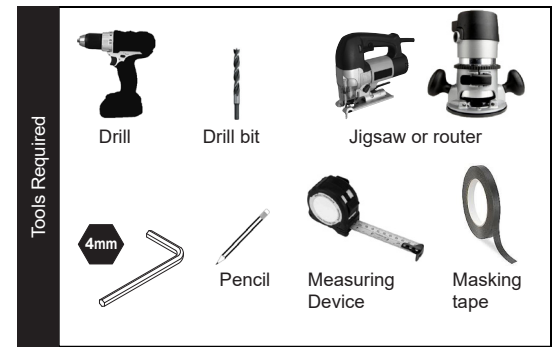
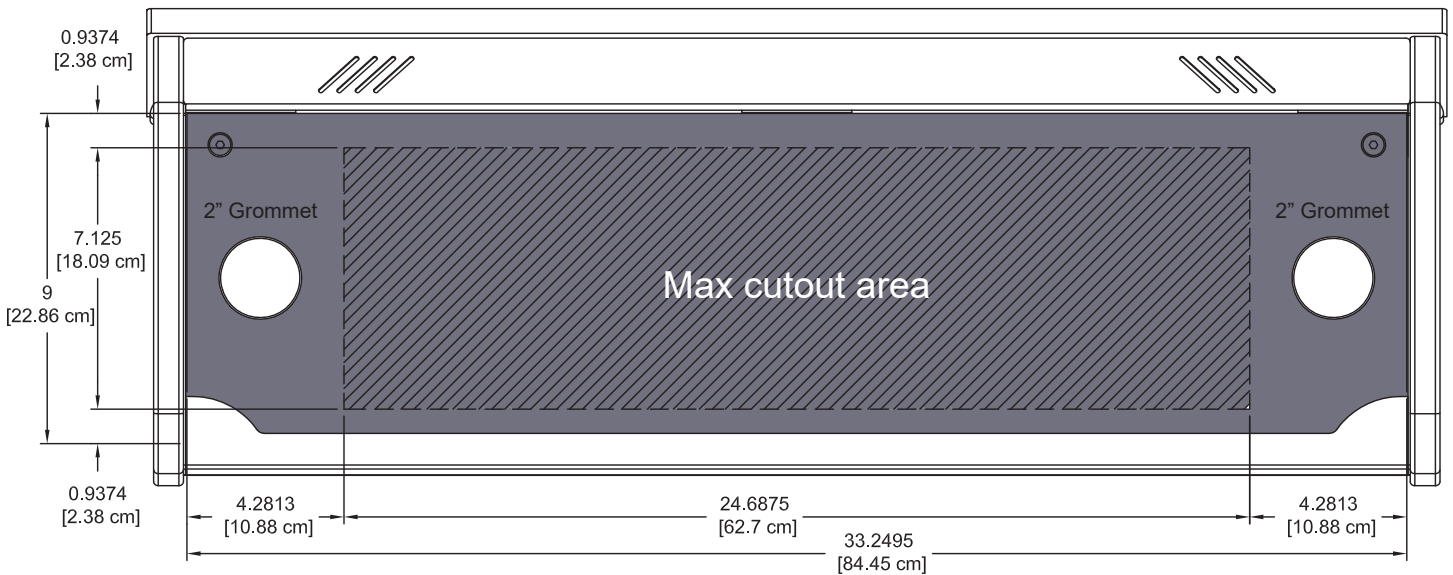


Figure 7.1

Note: Blank overbridge panels require the customer to make necessary cutouts with a jigsaw or router. This has a moderate difficulty rating, so experience and skill with tools is required.

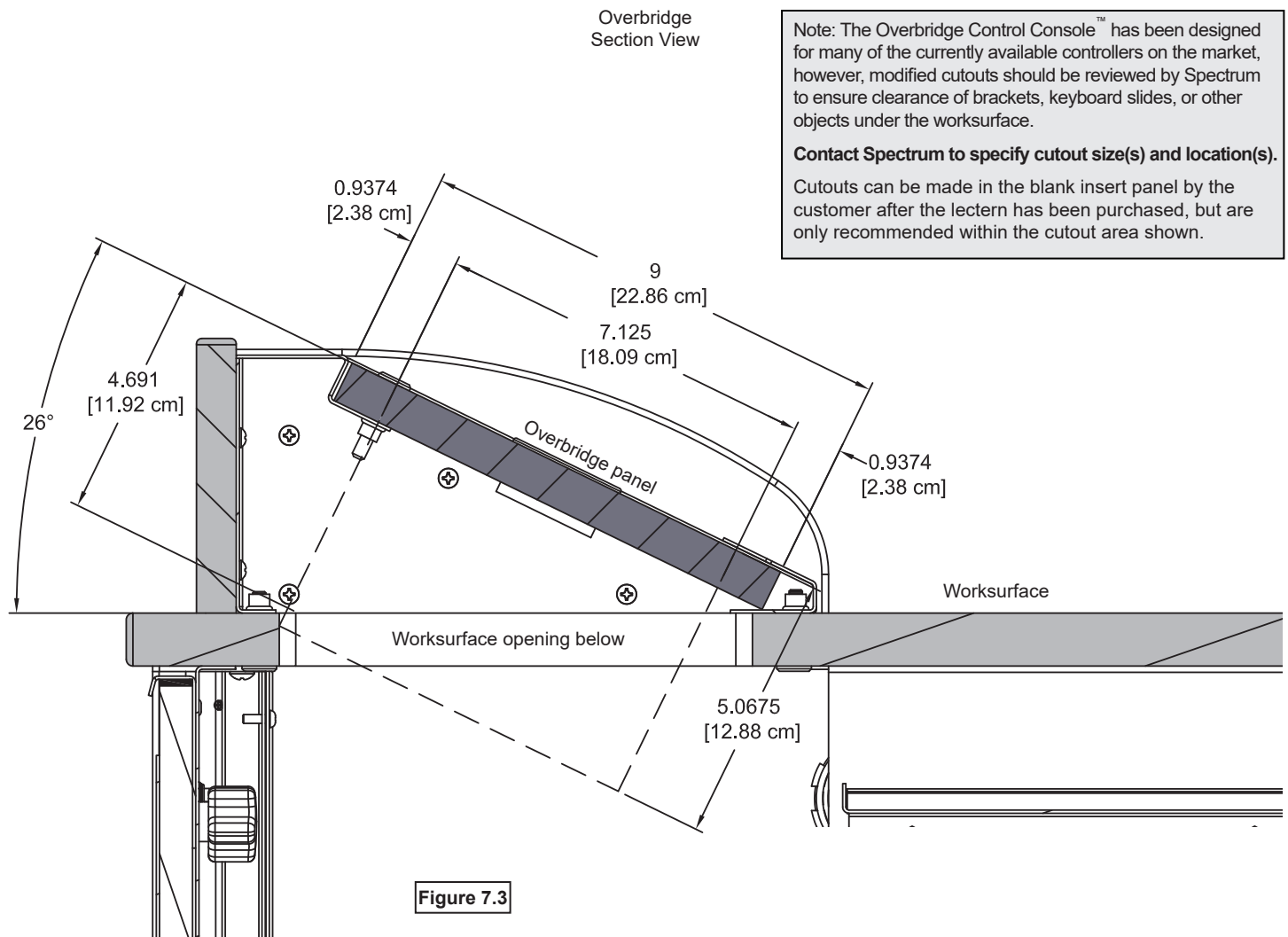
Note: The overbridge panel is symmetrical. Rotating or flipping the panel 180° and re-attaching to the overbridge will allow you to place the cutout on the opposite side of the overbridge if necessary.



Note: The max cutout areas shown are general recommendations only. The final location of the cutout(s) on the panel will be determined by:

- The size of the cutout(s)
- Location preference of each device (left, centered, right)
- The vertical depth of the installed device
- The available worksurface opening under the overbridge on your specific Spectrum lectern.

Figure 7.2



Note: The Overbridge Control Console™ has been designed for many of the currently available controllers on the market, however, modified cutouts should be reviewed by Spectrum to ensure clearance of brackets, keyboard slides, or other objects under the worksurface.

Contact Spectrum to specify cutout size(s) and location(s).

Cutouts can be made in the blank insert panel by the customer after the lectern has been purchased, but are only recommended within the cutout area shown.

Figure 7.3

Optional Toe Kick

1. Position the toe kick panel on the floor in the preferred final lectern location. **Figure 8.1.**
2. Mark the (4) mounting hole locations onto the floor.
(The toe kick mounting holes are 1/2" dia.)
3. Drill suitable holes into the floor and anchor the toe kick with appropriate fasteners.
4. At this point, wiring connections can be made under the lectern with easier access to the base panel grommet holes.

Note: If the toe kick will be anchored to the floor, (4) fasteners are required that will work with the 1/2" diameter holes on the toe kick. Due to the wide variety of flooring materials and conditions possible, anchor fasteners are not provided.

5. Move lectern into position over the anchored toe kick. **Figure 8.2.**
6. Align the (4) base panel mounting holes (instructor-side) with the toe kick panel mounting holes.
7. Attach toe kick plate with (4) 1/4-20 x 15mm JC bolts.

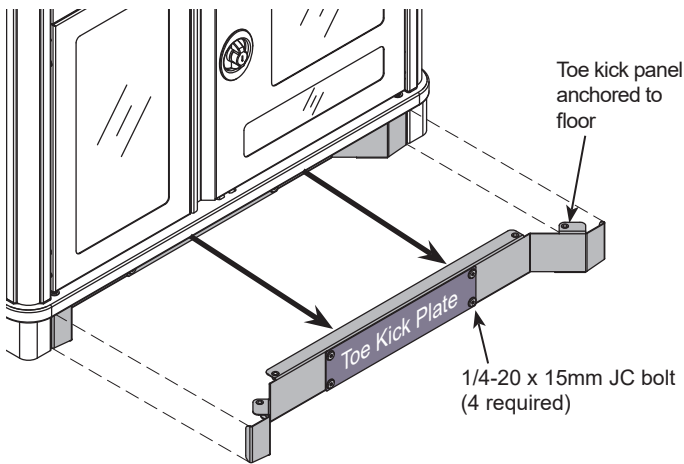


Figure 8.2

Caster Operation

1. Lock the brake levers to lock movement of the casters.
(Two instructor-side casters only). **Figure 9.**
2. To resume operation, lift up on brake levers.

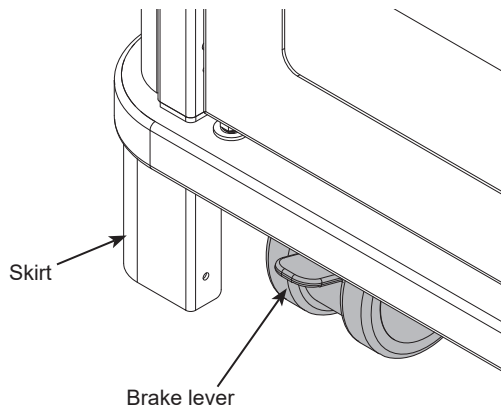


Figure 9

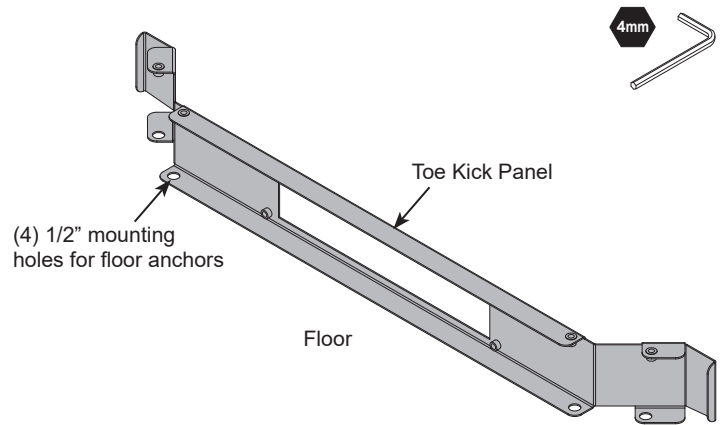


Figure 8.1

8. Open or remove both doors.
9. Install (4) 1/4-20 x 40mm JC bolts through the base panel to secure, and tighten securely. **Figure 8.3.**

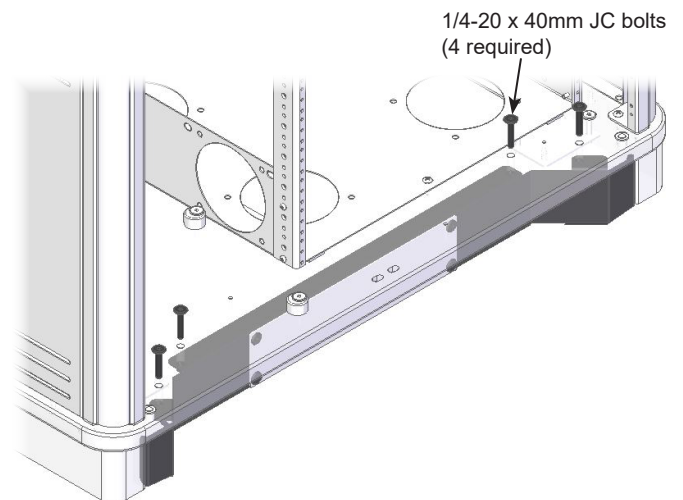


Figure 8.3

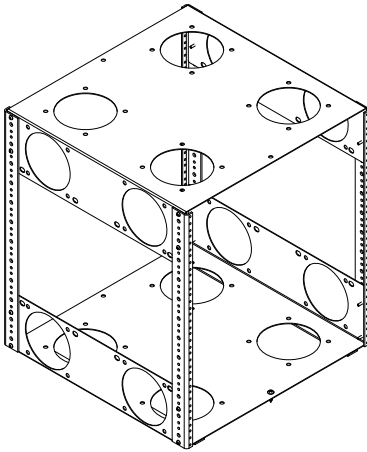
Moving and Parking the Lectern

- Before moving, unplug and secure all power cords.
- Close and lock doors.
- Lower any flip-up shelves.
- Remove any items from the top of the worksurface.
- Unlock the casters.
- Push slowly and carefully. Do not move over uneven or irregular surfaces.
- Do not allow children to move.
- Lock the casters after moving.
- Do not park unit in areas of heavy traffic.
- Do not run power cords across hallways, classrooms, or areas where they will be walked on.

When lectern is unattended:

- Do not leave in areas where children have access.
- Keep doors closed and locked.
- Keep casters locked.

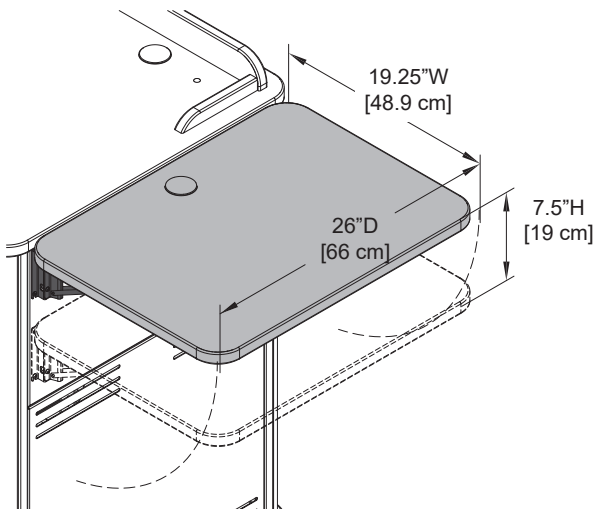
Note: The skirt is designed to be easily removable. It should be removed if the lectern will be moved over long distances or thresholds to prevent damage to the skirt panels. **Do not tip lectern to remove or install!**



12RU Rack Cube - 55197

- One rack cube can be installed on the left or right side of the Media Manager Elite Lectern
- Polyethylene slides on bottom for easy removal
- Can be secured to base panel on the left or right side of the Media Manager Elite Lectern
- Cooling fan compatible
- Color: black
- Customer-installed

| | |
|--------------------------|---|
| Rack rail: | 12RU front and rear |
| Dimensions: | 19.125"W [48.58 cm] x 19.031"D [48.34 cm] x 21.25"H [53.97 cm] |
| Mounts for cooling fans: | Compatible with most 4.7" fans with 4.13" mounting hole spacing (12 mounting locations available) |
| Unit weight: | 21 lb [9.5 kg] |
| Shipping weight: | 22 lb [10 kg] |

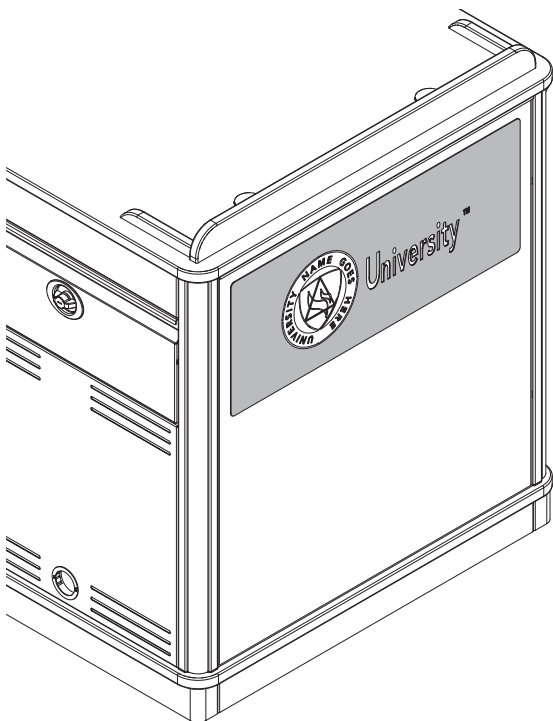


Flip-Up Shelf - 55539

- Matching laminate
- Shelf brackets lock into place in the upright position
- Includes 2" grommet
- 2 mounting heights available
- Available in White Chalk Dry Erase laminate. Flip-up shelves configured with white laminate will have the same edgeband color as the worksurface and base panel.
- Customer-installed

| | |
|-----------------------------|--|
| Weight capacity: | 35 lb [15.9 kg] |
| Dimensions: | 19.25"W [48.9 cm] x 26"D [66 cm] x 1"H [2.54 cm] |
| Height positions available: | • 41"H [104.1 cm] (level with worksurface) • 33.5"H [85.1 cm] |

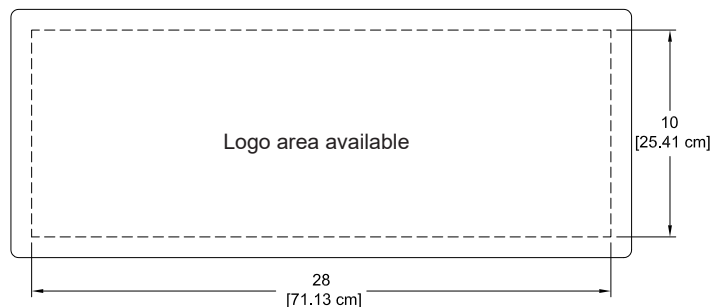
Note: Power and communication wiring for document cameras, laptop computers, and/or projectors placed on the flip-up shelf should be routed on top of the audience-side of the shelf. Use of the shelf grommet hole for wiring will result in pinching of the cords when the shelf is folded.

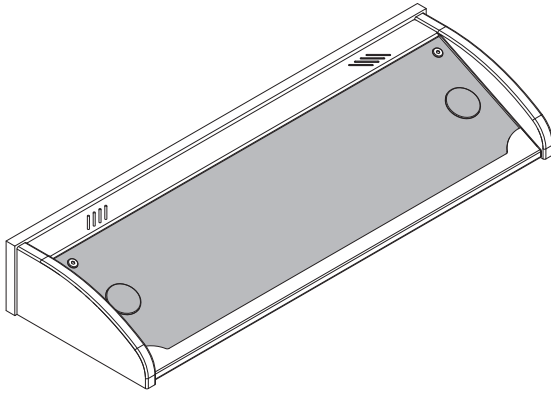


Customized Logo Panel - 55199

- Attaches to audience-side of lectern
- Available with black, white, or matching laminate backer
- To get panel customized-contact Spectrum for details
- New logos require a first time logo charge
- Customer-installed

| | |
|----------------------|----------------------------------|
| Dimensions: | 30"W [76.2 cm] x 12"H [30.48 cm] |
| Available logo area: | 28"W [71.1 cm] x 10"H [25.41 cm] |
| Unit weight: | 6 lb [2.7 kg] |
| Shipping weight: | 8 lb [3.6 kg] |



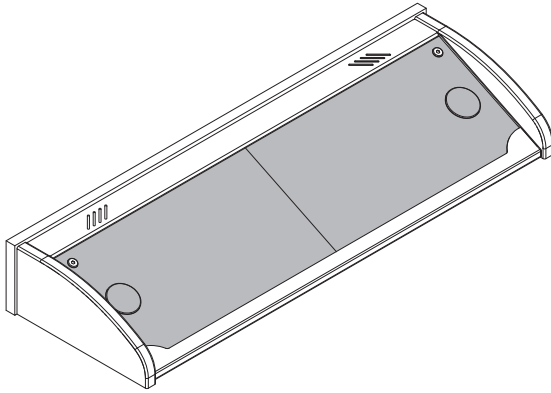


Insert panels are available to customers needing a replacement panel or different cutouts for technology upgrades.

Overbridge Insert Panel-Large - 96507

- Panel for overbridge version only (overbridge not available separately)
- Contact Spectrum to specify cutout size(s) and position(s)
- Includes two 2" [5.08 cm] grommets with covers
- Customer-installed

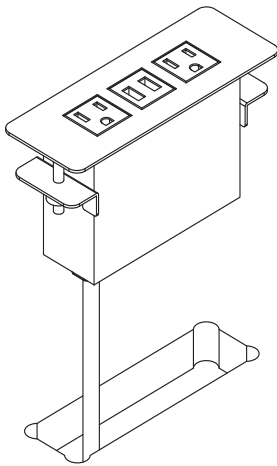
| | |
|------------------|--|
| Dimensions: | 33.25"W [84.5 cm] x 9"D [22.9 cm] x .79"H [2 cm] |
| Unit weight: | N/A |
| Shipping weight: | 8.5 lb [3.9 kg] |



Two-piece Overbridge Insert Panel-Large - 96513

- Split panel for overbridge version only
- Contact Spectrum to specify cutout size(s) and position(s)
- Includes 2" [5.08 cm] grommets with covers
- Customer-installed

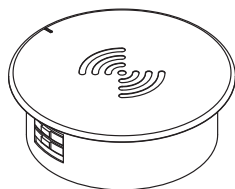
| | |
|------------------|---|
| Dimensions: | 16.625"W [42.23 cm] x 9"D [22.86 cm] x .79"H [2 cm] |
| Unit weight: | N/A |
| Shipping weight: | 8.5 lb [3.9 kg] |



Power Module - 99058

- (2) AC power receptacles
- (2) USB charge ports
- Aluminum housing and flange
- Thumbscrew clamps
- Requires worksurface cutout
- ETL-certified
- Available in black, silver, or white
- Customer-installed

| | |
|---------------------|--|
| Cutout required: | 5.65"W [14.35 cm] x 1.65"D [4.19 cm] |
| Power cord: | 10' [305 cm] 14AWG *3C power cord |
| Power receptacles: | 125V, 60hz, 15A tamper-resistant |
| USB charging ports: | 2.1A (10.5W) (not data-compatible) |
| Dimensions: | 6.38"W [16.2 cm] x 2.36"D [6 cm] x 3.54"H [9 cm] |
| Unit weight: | 2 lb [.9 kg] |
| Shipping weight: | 2.35 lb [1 kg] |

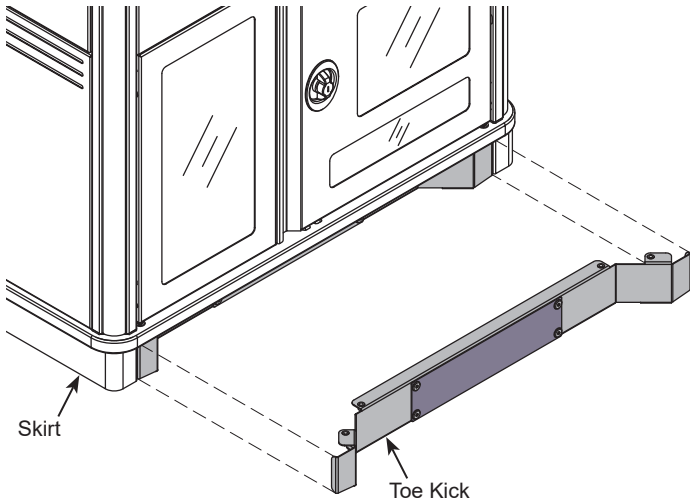


EM Wireless Charging Pad - 99057

- Uses electromagnetic technology to charge Qi V1.2 compliant IC
- LED to confirm pairing / charging
- Security tab prevents theft
- Requires 3" round cutout to be made by customer
- UL-certified

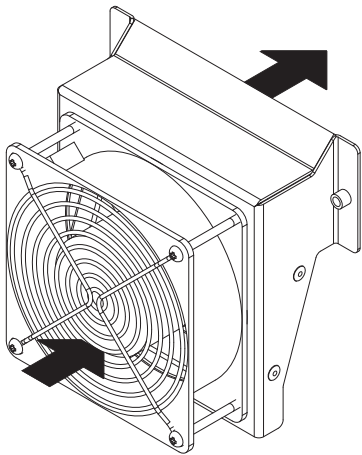
| | |
|------------------|--|
| Cutout required: | 3" dia (by customer) |
| Input: | DC 5V (with included DC5V.2A power adapter) |
| Output: | 5W max (with included DC5V.2A power adapter) |
| Power cord: | 8' [244 cm] with DC jack |
| Dimensions: | 3.5" dia [8.9 cm] x 1.125"H [2.9 cm] |
| Shipping weight: | 1 lb [.45 kg] |

Note: The unit requires a 7" diameter of clearance to work with Qi-enabled phones placed in any orientation. The 3" dia cutout should be located on the worksurface at least 3.5" from any edge.



Toe Kick Kit - 55198

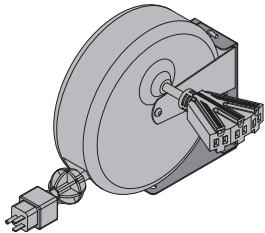
- Attaches to floor and lectern when mobility is not necessary or desired (floor fasteners not included)
- Conceals casters
- Includes access panel
- Customer-installed
- Shipping weight: 12 lb [5.4 kg]



Cooling Fan for Media Manager Series Lecterns - 99051

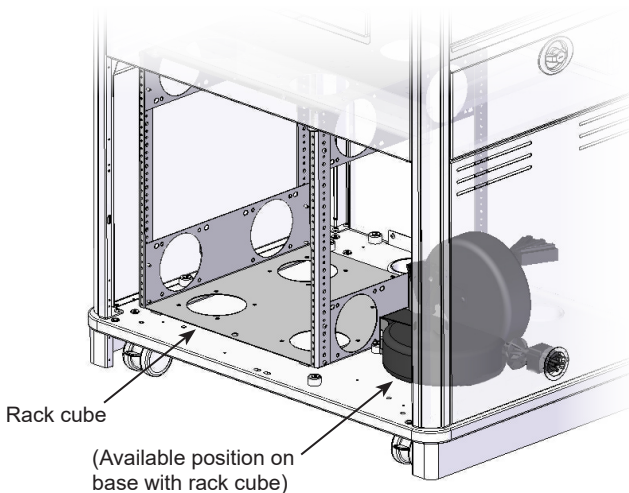
- Exhausts hot air from inside lectern
- Installs inside lectern at top of rack cabinet
- Mounts to side panel vent slots with two screws
- Customer-installed

| | | |
|-------------------|---|--|
| Electric Fan: | <ul style="list-style-type: none"> • Voltage: 115VAC (single phase) • Power: 5.5W • Current: .08A • 1450 RPM • Dimensions: 119 mm x 119 mm • Ball Bearing | <ul style="list-style-type: none"> • Noise: 28 dB • Air flow: 49.4 CFM (1.40m³/min) • Frame material: Aluminum • Blade material: Polycarbonate, Fiberglass reinforced |
| Power cord: | 18ga, 48" nominal length, 6A 125V~ (2 prong plug) | |
| Mounting bracket: | <ul style="list-style-type: none"> • 16-gauge steel • Black powder coat • Mounting screws included | |
| Unit weight: | 2.3 lb [1.05 kg] | |
| Shipping weight: | 3 lb [1.36 kg] | |



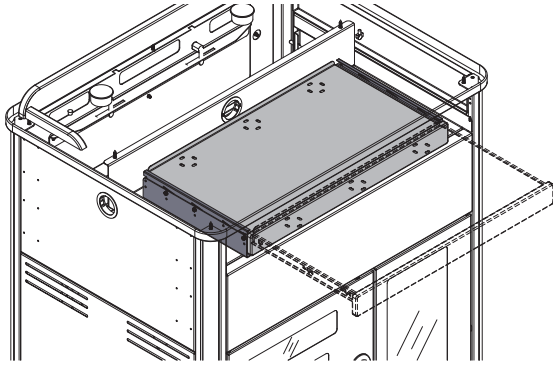
Universal Cord Reel Kit - 99037

- Includes universal mounting bracket
- Mounts inside lectern to base panel
- Adjustable ball stop and releasable cord-locking ratchet holds the cord at any length up to 15'
- cUL listed
- Customer-installed



| | | |
|-----------------------------|---|--|
| Power cord: | 15' nominal, 12 AWG retractable power cord | |
| Power receptacles: | <ul style="list-style-type: none"> • Molded 3-prong male plug with 15A breaker and reset button • Tri-tap (3-outlet) receptacle | |
| Universal mounting bracket: | <ul style="list-style-type: none"> • 16-gauge steel • Black powder coat • Includes mounting screws | |
| Unit weight: | 10 lb [4.5 kg] | |
| Shipping weight: | 10.8 lb [4.9 kg] | |

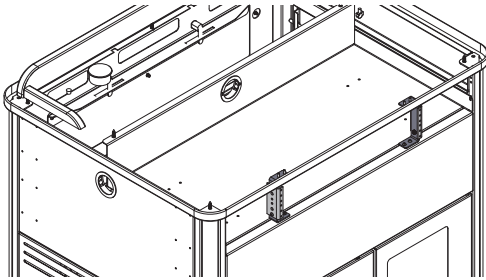
The cord reel is intended to provide temporary access to electrical outlets for Spectrum mobile lecterns. Check local electrical codes prior to installation.



Keyboard Tray - 95537

- Supports large keyboards with mouse
- Wiring slots
- Can be flipped and used as a storage drawer
- **Not compatible with 2RU Rack Rail Kit**

| | |
|------------------|--|
| Tray dimensions: | 25"W [63.5 cm] x 13.8"D [35 cm] x 3"H [7.6 cm] |
| Slides: | 14" [35.6 cm] extension |
| Weight capacity: | 25 lb [11.4 kg] |
| Shipping weight: | 13 lb [5.9 kg] |



2RU Rack Rail Kit - 55113

- Adds an additional 2RU to lectern
- Not compatible with keyboard tray

| | |
|------------------|--------------|
| Rack Units: | 2RU |
| Shipping weight: | 1 lb (.5 kg) |



Flat Panel Monitor Arm

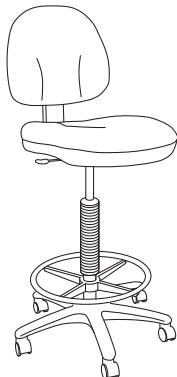
- 95512** - "Light-Duty" for monitors weighing 2-13 lb [.9-5.9 kg]
- 95522** - "Medium-Duty" for monitors weighing 7.5-25 lb [2.5-11.4 kg]
- 95509** - "Heavy-Duty" for monitors weighing 12-31 lb [5.4-14 kg]

- Six mounting options (clamp, thru-desk, wall, grommet hole, side bolt, reverse wall)
- Compatible with all VESA® monitors – includes 75mm and 100mm VESA® adapters
- Cable management concealed in arm



Dual Flat Panel Monitor Arm - 95533

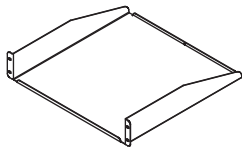
- Weight range: 3.5-13 lb [1.6-5.9 kg] per monitor
- Six mounting options (clamp, thru-desk, wall, grommet hole, side bolt, reverse wall)
- Compatible with all VESA® monitors – includes 75mm and 100mm VESA® adapters
- Cable management concealed in arm



Adjustable Drafting Stool - 38202

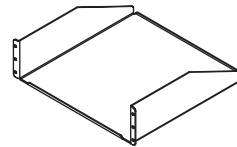
- 40-52" height-adjustment via pneumatic cylinder
- 360° swivel
- Tilting backrest
- 18" diameter fixed foot ring
- 5-star base

Rack-mount Accessories



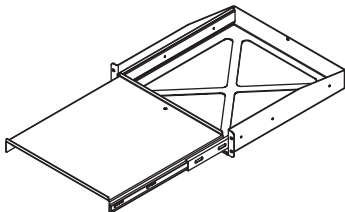
Cantilever Shelf - 2RU - 97504

- 16ga steel
- Shelf: 17.5"W [44.45 cm] x 18"D [45.7 cm] x 3.5"H [8.89 cm]
- Weight capacity: 50 lb [22.7 kg]
- Shipping weight: 8.1 lb [3.7 kg]



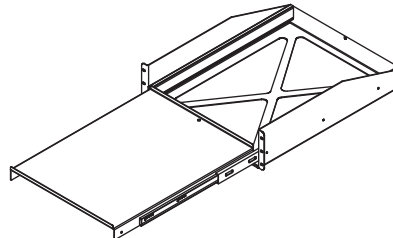
Cantilever Shelf - 3RU - 97502

- 16ga steel
- Shelf: 17.5"W [44.45 cm] x 18"D [45.7 cm] x 5.25"H [13.33 cm]
- Weight capacity: 80 lb [36.3 kg]
- Shipping weight: 9.2 lb [4.2 kg]



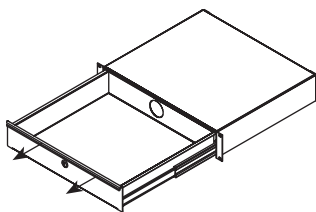
Pull-Out Shelf - 2RU - 97505

- 16ga steel
- 17.09"W [43.42 cm] x 18.12"D [46.03 cm] x 3.5"H [8.89 cm]
- Weight capacity: 50 lb [22.7 kg]
- Shipping weight: 15.6 lb [7.1 kg]



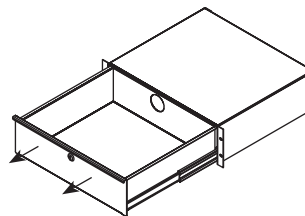
Pull-Out Shelf - 3RU - 97503

- 16ga steel
- 17.09"W [43.42 cm] x 22.11"D [56.14 cm] x 5.25"H [13.33 cm]
- Weight capacity: 80 lb [36.3 kg]
- Shipping weight: 18.5 lb [8.4 kg]



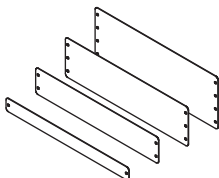
Locking Drawer - 2RU - 97527

- 16ga steel
- Drawer: 15.97"W [40.56 cm] x 14.56"D [36.98 cm] x 3"H [7.63 cm]
- Weight capacity: 50 lb [22.7 kg]
- Shipping weight: 15.85 lb [7.2 kg]



Locking Drawer - 3RU - 97526

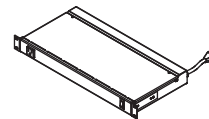
- 16ga steel
- Drawer: 15.97"W [40.56 cm] x 14.56"D [36.98 cm] x 5.25"H [13.33 cm]
- Weight capacity: 50 lb [22.7 kg]
- Shipping weight: 18.5 lb [8.4 kg]



Rack-Mount Blanks

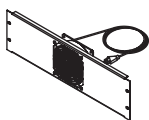
1RU - 97510 3RU - 97512
2RU - 97511 4RU - 97513

- Fills rack spaces where components are not needed
- 16 ga steel
- Shipping weight: <1 lb [.45 kg]



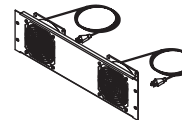
9-Outlet Power Strip - 1RU - 99021

- 8 outlets rear (breaker-protected)
- 1 convenience outlet front
- 115VAC, 60 Hz, 15 amps max
- 9' power cord
- Front LED power switch
- Enhanced surge protection
- ETL-listed, UL-listed
- 19"W [48.27 cm] x 9.25"D [23.5 cm] x 1.74"H [4.41 cm]
- Shipping weight: 8.7 lb [3.9 kg]



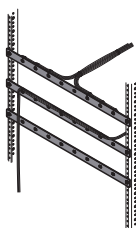
Single Fan - 3RU - 97507

- 50 cfm
- 120V~50/60 Hz, 15/13W
- RoHS
- 19"W [48.27 cm] x 1.56"D [3.97 cm] x 5.25"H [13.33 cm]
- Shipping weight: 3.78 lb [1.7 kg]



Double Fan - 3RU - 97506

- 100 cfm
- 120V~50/60 Hz, 15/13W
- RoHS
- 19"W [48.27 cm] x 1.56"D [3.97 cm] x 5.25"H [13.33 cm]
- Shipping weight: 5.47 lb [2.5 kg]



Wire Lace Kit - 95517

- Provides wire management
- Mounts to standard rack rails
- Includes (3) lace straps and mounting screws
- Includes (12) 5.5" zip ties
- Shipping weight: 1.25 lb [.57 kg]

See spectrumfurniture.com for the latest accessories and detailed warranty information.



Important Safety and Care Instructions



- Read these instructions before assembly or operation.
- Do not allow children to move the lectern.
- Proceed slowly and carefully when moving the lectern.
- For indoor use only. Do not install or store the lectern where it will be exposed to moisture.
- Do not block the ventilation openings.
- Avoid uneven loading of the equipment into the lectern. Uneven weight distribution could cause the lectern to tip when the lectern is moving.
- Do not allow anyone to sit, stand, or climb on the lectern.
- Use a damp, soft-cloth, or sponge, with mild soap or detergent solution to clean dirty surfaces. Do not use harsh solvents or abrasives.
- This lectern is intended for institutional use. It does not have any user-serviceable parts or user-maintenance requirements. If servicing is necessary, please contact Spectrum Industries for assistance.

Warning - Relocating audio and/or video equipment to furniture not specifically designed to support audio and/or video equipment may result in death or serious injury due to the furnishing collapsing or over turning onto a child.

Electrical Safety:

- Do not plug the power cord into an extension cord.
- Inspect power cords for damage before each use. Do not use power cords that are damaged.
- Unplug power cord from electrical outlet by gripping the cord. Do not unplug the power cord by pulling only on the cord.
- Do not step on, drive over, drag, or place objects on the power cord.
- For added safety, plug the lectern into a grounded outlet controlled by a GFI (Ground Fault Interrupter) circuit breaker.
- Electrical devices are not toys. Children are often unaware of the hazards associated with electrical devices. This lectern must always be used by adults or with adult supervision.

Warning - Death or serious injury may occur when children climb on audio and/or video equipment furniture. A remote control or toys placed on the furnishing may encourage a child to climb on the furnishing and as a result the furnishing may tip over on to the child.



Consignes importantes de sécurité et d'entretien



- Lire ce guide d'utilisation avant l'assemblage ou l'utilisation.
- Interdire aux enfants de déplacer le lutrin.
- Déplacer le lutrin lentement et prudemment.
- Utilisation à l'intérieur uniquement. Ne pas assembler et ne pas ranger le lutrin dans un endroit humide.
- Ne pas boucher les prises d'air de ventilation.
- Éviter le chargement mal réparti de l'équipement sur le lutrin. Un chargement mal réparti risque de faire basculer le lutrin en déplacement.
- Interdire à quiconque de s'asseoir, de se tenir debout ou de grimper sur le lutrin.
- Passer un chiffon doux ou une éponge, imbibés de solution nettoyante ou de savon liquide doux, sur les surfaces sales. Ne pas utiliser des solvants rudes ou des abrasifs.
- Ce lutrin est destiné à un usage institutionnel. Il ne contient aucune pièce susceptible d'être réparée par l'utilisateur et ne nécessite aucun entretien de la part de celui-ci. Si une maintenance est requise, communiquer avec Spectrum Industries pour obtenir de l'aide.

Avertissement - Reloger un équipement audio ou vidéo sur un meuble non conçu pour supporter cet équipement pourrait entraîner de graves blessures, voire la mort, à la suite de l'effondrement du meuble ou de sa chute sur un enfant.

Consignes de sécurité en électricité

- Ne pas brancher le cordon d'alimentation sur une rallonge.
- Vérifier que les cordons d'alimentation sont intacts avant chaque utilisation. Ne pas les utiliser s'il sont abîmés.
- Pour débrancher le cordon de la prise murale, saisir son bouton isolant et tirer; ne pas tirer le cordon.
- Ne pas marcher, ne pas rouler et ne pas placer des objets sur le cordon d'alimentation; ne pas le traîner.
- Pour plus de sécurité, brancher le lutrin sur une prise mise à la terre protégée par un disjoncteur de fuite de terre.
- Les appareils électriques ne sont pas des jouets. Les enfants n'ont souvent pas conscience des dangers associés aux appareils électriques. Ce le lutrin doit donc être toujours utilisé par un adulte, ou sous la surveillance d'un adulte.

Avertissement - Un enfant qui grimpe sur un meuble d'équipement audio ou vidéo pourrait subir des blessures graves ou mortelles. Une télécommande ou des jouets placés sur le meuble risquent d'inciter un enfant à y grimper : le meuble pourrait alors basculer et écraser l'enfant.



Instrucciones importantes de prevención de accidentes y cuidado



- Lea este manual del propietario antes de la instalación u operación.
- No permita que los niños muevan el atril.
- Proceda lenta y cuidadosamente al mover el atril.
- Solo para uso en interiores. No instale o guarde el atril donde quede expuesto a la humedad.
- No obstruya las rendijas de ventilación.
- Evite cargar el equipo de forma desigual dentro del atril. La distribución asimétrica del peso podría provocar que el atril se vuelque al momento de moverlo.
- No permita que nadie se siente, pare o suba al atril.
- Para limpiar las superficies sucias, utilice un paño, trapo suave o esponja con jabón neutro o una solución de detergente. No utilice solventes o abrasivos ásperos.
- El uso convencional de este atril es institucional. No contiene ninguna parte que pueda ser reparada por el usuario ni requiere de mantenimiento por parte de éste. Si fuera necesario darle mantenimiento, póngase en contacto con Spectrum Industries para obtener asistencia.

Advertencia: reubicar equipo de audio y/o video a un mueble que no haya sido diseñado específicamente para tal uso, puede provocar la muerte o lesiones graves debido a que puede colapsarse o volcarse sobre un niño.

Prevención de accidentes eléctricos:

- No enchufe el cable de alimentación a un cable de extensión.
- Revise que los cables de alimentación no tengan ningún daño antes de cada uso. No utilice cables de alimentación que estén dañados.
- Desenchufe el cable de alimentación del tomacorriente eléctrico sosteniendo el cable firmemente. No desenchufe el cable de alimentación jalando únicamente del cable.
- No se pare, circule, jale o coloque ningún objeto sobre el cable de alimentación.
- Para mayor seguridad, enchufe el atril a una conexión a tierra controlada por un interruptor de circuito GFI (interruptor de fallas de conexión a tierra).
- Los dispositivos eléctricos no son juguetes. Los niños generalmente no están conscientes de los riesgos asociados con los dispositivos eléctricos. Este atril lo deberán utilizar siempre personas adultas o bajo su supervisión.

Advertencia: existe peligro de muerte o lesiones graves si los niños se suben a un mueble de equipo de audio y/o video. Un control remoto o juguete colocado sobre el mueble puede alentar a un niño a subirse y provocar que el mueble se vuelque sobre el chico.

Product Registration

Dear customer,

Spectrum Industries would like to thank you for your purchase. Please take a moment to register your product for valuable warranty and product information. Locate the product and serial numbers on the label located either on the inside of the front door, or under the main worksurface. Record the numbers here to enter online.

If you have any questions or concerns about the product you received, please contact us.

Product Number:

Serial Number:

1-800-235-1262

Toll-free HELPLINE

spectrum@spectrumbfurniture.com



Learn more at:



[spectrumbfurniture.com/register](https://www.spectrumbfurniture.com/register)

Warranty

We will make it right for you!

Thanks for choosing Spectrum! Spectrum is committed to provide complete customer satisfaction. Each of our products is manufactured from the best materials available and each product is stringently monitored throughout the production process through our P.A.C.E. program (Product Assurance to meet Customer Expectations).

We expressly warrant that Spectrum products will be of good quality and workmanship and free from defect for the period set out in the warranty from the date of delivery.

For a listing of all product specific warranty terms please visit our website at:

<https://www.spectrumbfurniture.com/en/resources/purchasing-terms-warranty>