

# Assembly Instructions

## ⚠ Important ⚠

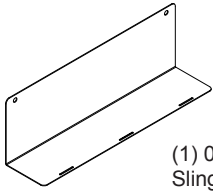
Before you begin, read and comply with all safety and operating instructions, and ensure all parts and correct quantities are included.

Any parts damaged during shipment must be reported within 5 days of receipt. To report information regarding missing parts or damage, to purchase parts or accessories, or if you have any questions, please contact us.

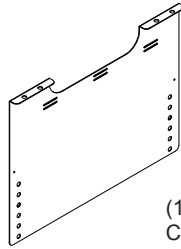
[www.spectrumfurniture.com](http://www.spectrumfurniture.com)

800-235-1262, 715-723-6750

Thank you for purchasing Spectrum products!



(1) 0144232  
Sling bottom



(1) 0144230  
CPU Sling



(2) 052605  
1/4-20 x 15mm  
JC bolt



(1) 053670  
Bracket



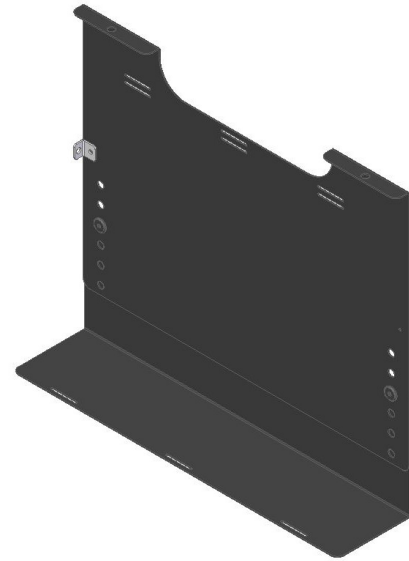
(2) 0101382  
#14 x 7/8" PHSM



(2) 0107595  
Strap / buckle  
assembly (58")



(2) 0190174  
#8 x 3/8" PHSM



## CPU Sling for Pivot Premier 38982

Tools  
Required



## 1. Assemble CPU Sling

1. Determine the height needed for the CPU and sling using the adjustment holes in the sling.
2. Attach the sling bottom to the CPU sling with (2) 1/4-20 x 15mm JC bolts as shown. **Figure 1.**
3. Tighten JC bolts securely.

(2) 1/4-20 x 15mm  
JC bolt

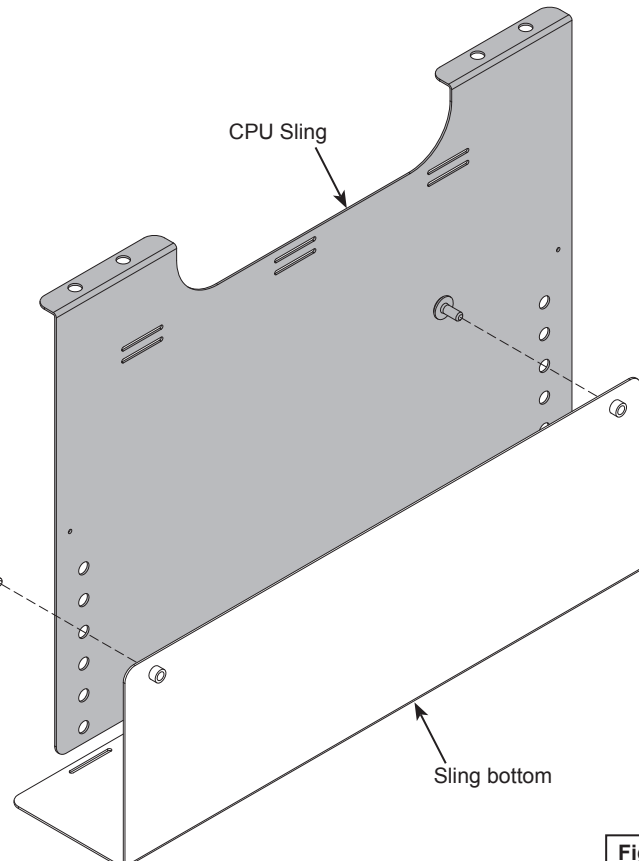


Figure 1

## 2. Thread straps onto sling

1. Using the slots, install the straps onto the sling. **Figure 2.** Make sure the CPU tower will be supported by both straps-the center slot can be used for better support of smaller CPU towers.
2. Tighten the straps while keeping the buckles positioned as high as possible to avoid interference.

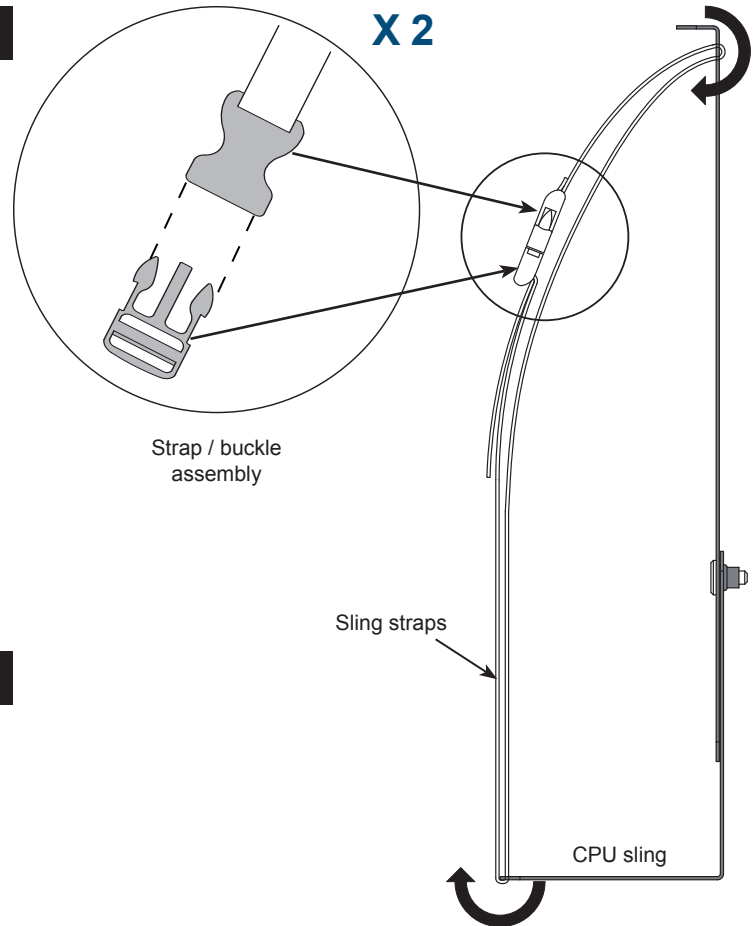


Figure 2

## 3. Install sling

1. Raise the lectern up to its highest position.
2. Determine which side of the lectern you prefer the CPU sling to be on. (Left or right). **Figure 3** shows a right-side installation.
3. Align the CPU sling with the pre-drilled worksurface mounting holes, and attach with (2) #14 x 7/8" PHSM screws.
4. Install the bracket with (2) #8 x 3/8" PHSM screws.
5. Place CPU tower into sling and tighten straps.

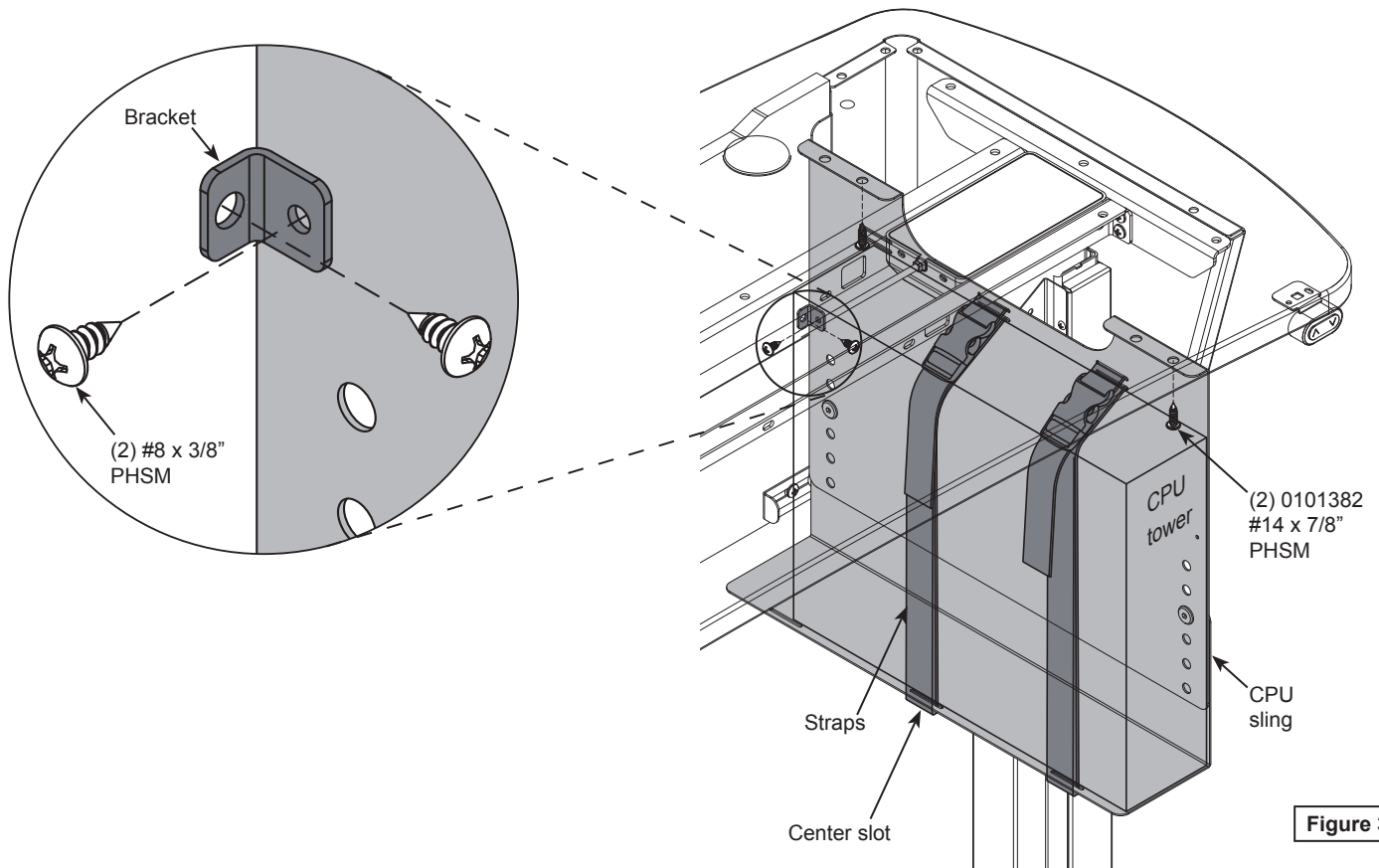


Figure 3