

Assembly Instructions

⚠ Important ⚠

Before you begin, read and comply with all safety and operating instructions, and ensure all parts and correct quantities are included.

Any parts damaged during shipment must be reported within 5 days of receipt. To report information regarding missing parts or damage, to purchase parts or accessories, or if you have any questions, please contact us.

www.spectrumfurniture.com
800-235-1262, 715-723-6750

Thank you for purchasing Spectrum products!



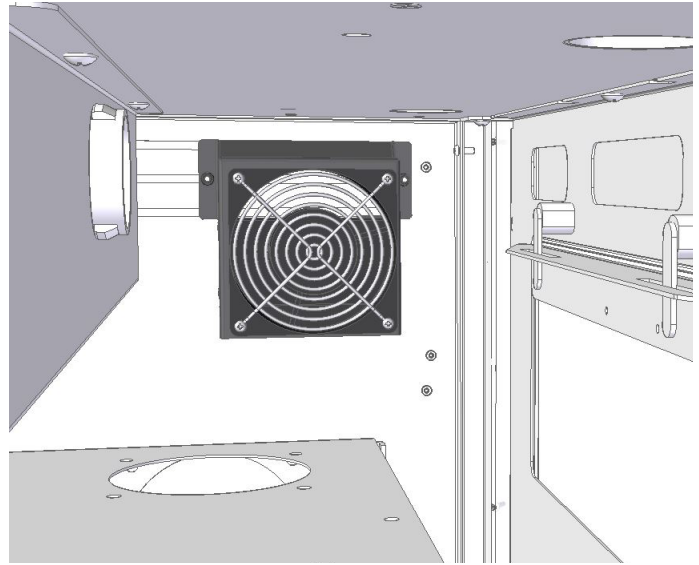
(1) 0132742
Fan assembly



(1) 0109399
Fan power cord



(2) 059533
10-24 x 1/2" THMS



Cooling Fan for Media Manager Series Lecterns 99051

Note: The fan is setup in an exhaust configuration. To maximize efficiency, it should be installed inside the lectern above the rack cabinet.

Note: If your lectern has an existing flip-up shelf installed on the side you wish to install the fan, it will be necessary to remove the shelf before installing the fan. The shelf can then be reinstalled.

Installation

1. With two-prong end disconnected, plug the fan power cord into the fan socket. **Figure 1.**
2. Remove the student-side panel of the lectern (requires key) and set panel aside.
3. Align the fan assembly mounting holes with the center vent slot. **Figure 2.**
4. From the outside, install (2) 10-24 x 1/2" THM screws to secure.
5. Tighten screws securely.
6. Plug the two-prong plug end of the power cord into an AC outlet.
7. Replace student-side panel.

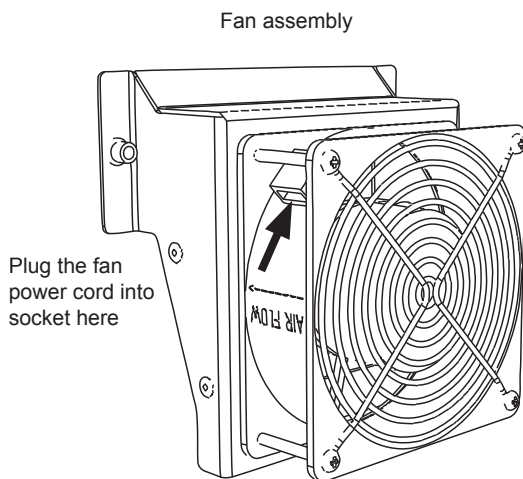


Figure 1

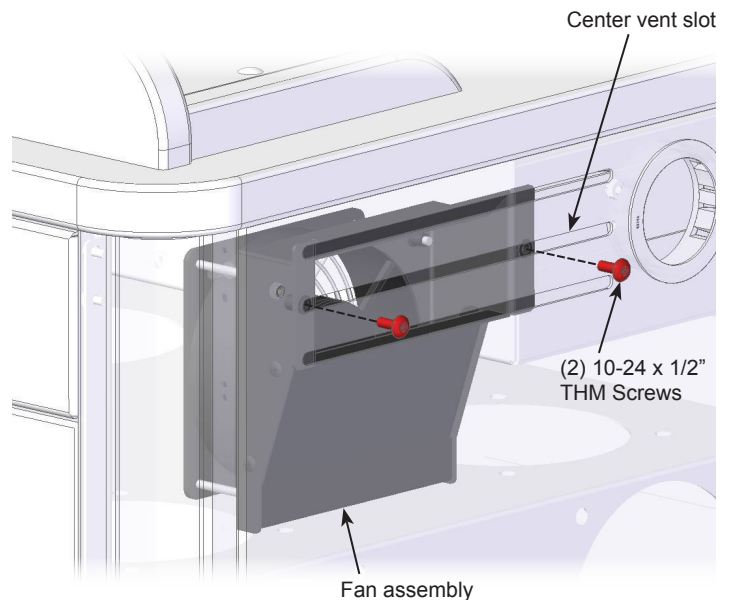


Figure 2