

Assembly Instructions

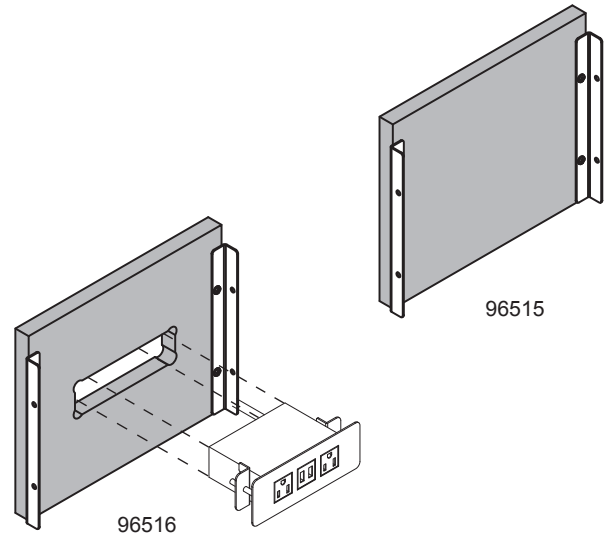
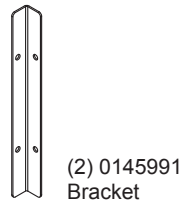
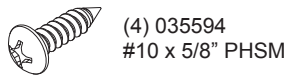
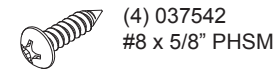
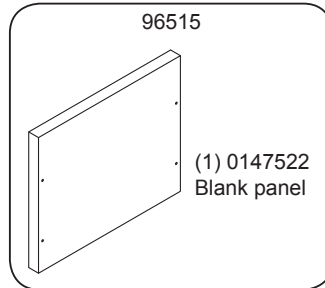
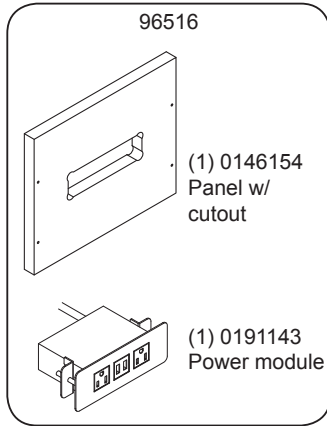
⚠ Important ⚠

Before you begin, read and comply with all safety and operating instructions, and ensure all parts and correct quantities are included.

Any parts damaged during shipment must be reported within 5 days of receipt. To report information regarding missing parts or damage, to purchase parts or accessories, or if you have any questions, please contact us.

www.spectrumfurniture.com
800-235-1262, 715-723-6750

Thank you for purchasing Spectrum products!



Underbridge for Slim Lectern 96515 - w/ Blank panel 96516 - w/ Power module



1. Cutout on blank panel (96515)

(continue to step 2 if no cutout is needed)

1. Before you begin, refer to the panel dimensions in **Figure 1** for the maximum recommended cutout area.
2. Identify the size and position of the cutout needed.
3. When the cutout location has been determined, locate and mark the exact cutout area on the panel with a pencil.
Note: Using masking tape on cut lines will minimize laminate chipping while cutting.
4. Carefully make the cutout(s) in the panel using a jigsaw or router.



⚠ Note: Some controllers and devices require additional space around the cutout for clamping. Please double check your device specifications to ensure adequate space around the cutout.

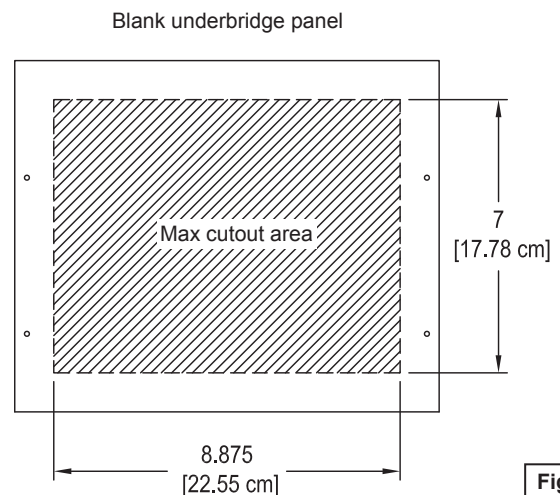


Figure 1

2. Attach brackets to panel

1. Attach the (2) brackets to the panel (black laminate toward brackets) with (4) #10 x 5/8" PHSM screws as shown. **Figure 2.**

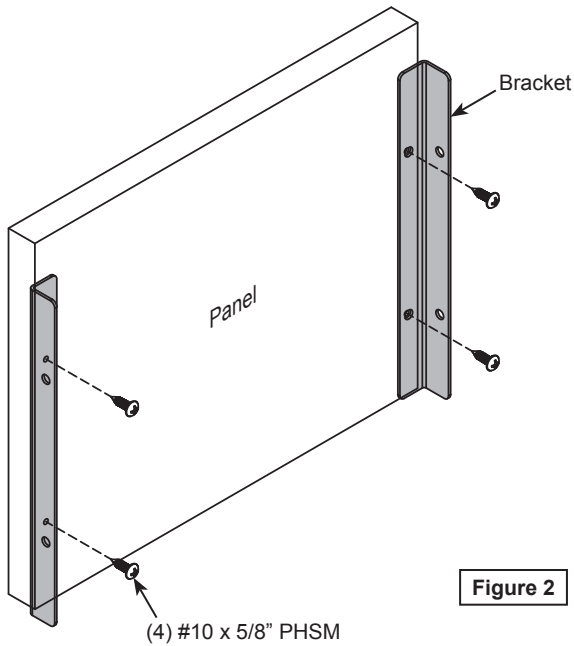


Figure 2

3. Install power module (96516)

1. Remove the thumbscrews and clamps from the power module. **Figure 3.**
2. Route the power cord through the cutout.
3. Place power module in cutout.
4. Replace the clamps and thumbscrews and tighten securely.

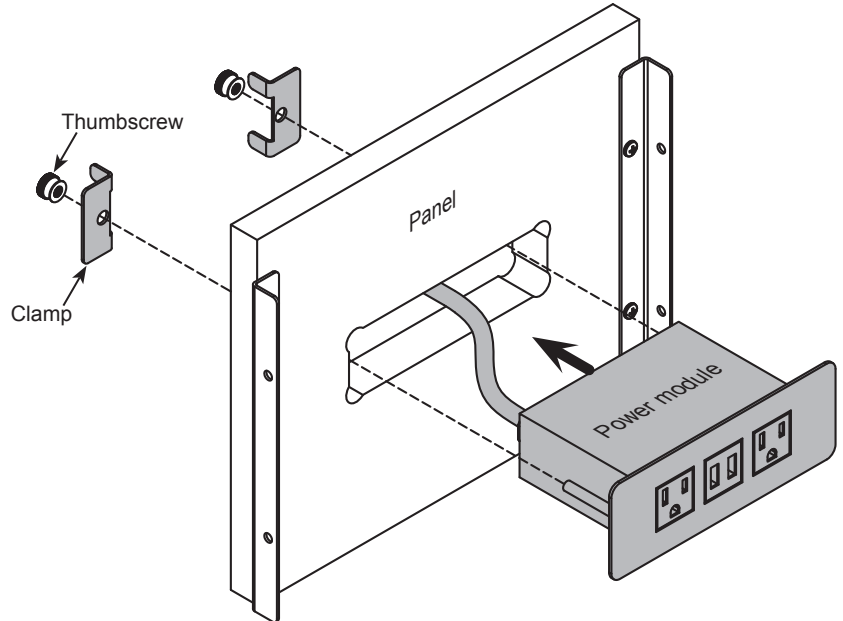


Figure 3

4. Install underbridge assembly

1. Align the bracket mounting holes with the pre-drilled side panel holes and attach with (4) #8 x 5/8" PHSM screws. **Figure 4.**
2. Tighten screws securely.

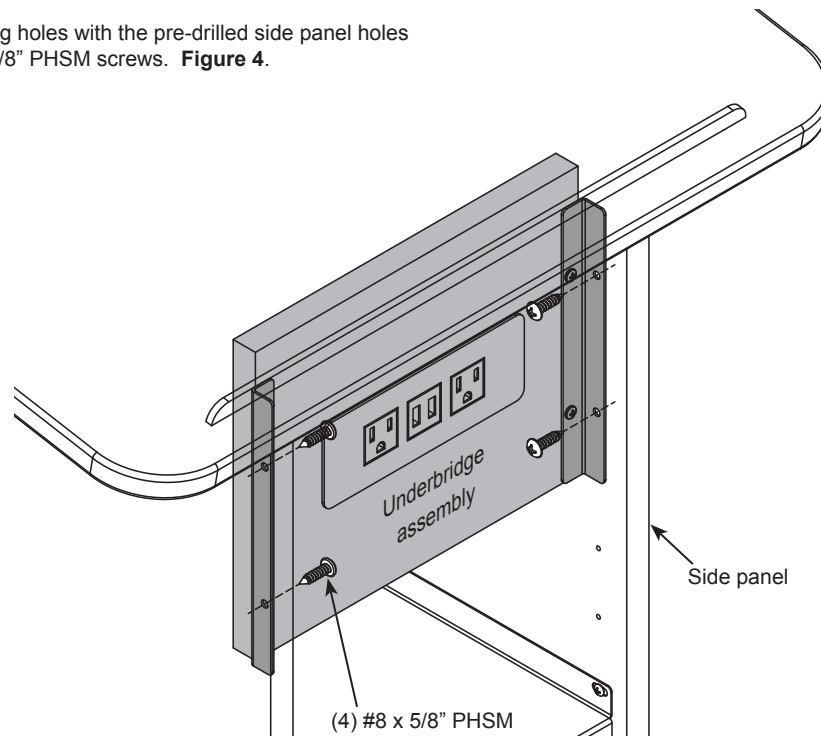


Figure 4