

Assembly Instructions

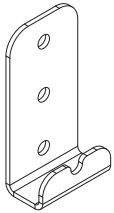
⚠ Important ⚠

Before you begin, read and comply with all safety and operating instructions, and ensure all parts and correct quantities are included.

Any parts damaged during shipment must be reported within 5 days of receipt. To report information regarding missing parts or damage, to purchase parts or accessories, or if you have any questions, please contact us.

www.spectrumfurniture.com
800-235-1262, 715-723-6750

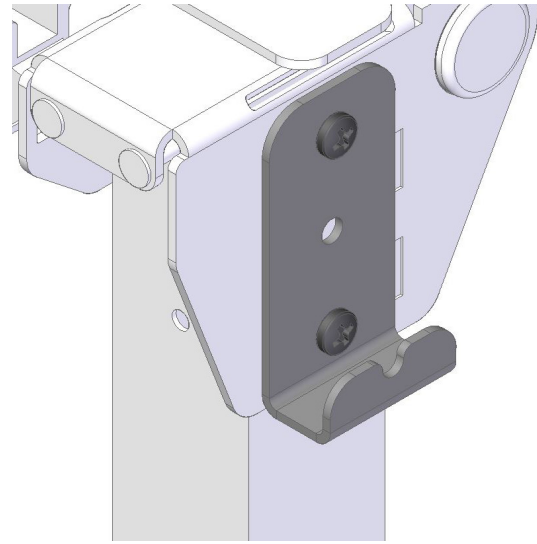
Thank you for purchasing Spectrum products!



(1) 0145227
Backpack
Hanger



(2) 026064
1/4-20 x 5/8"
PHMS



Backpack Hanger Flex Active Flip Table 99061

Installation



1. Choose one of the two available positions for the hanger. **Figure 1.**
2. Align the bracket with the mounting holes on the leg and attach with (2) 1/4-20 x 5/8" PHM screws.
3. Tighten screws securely.

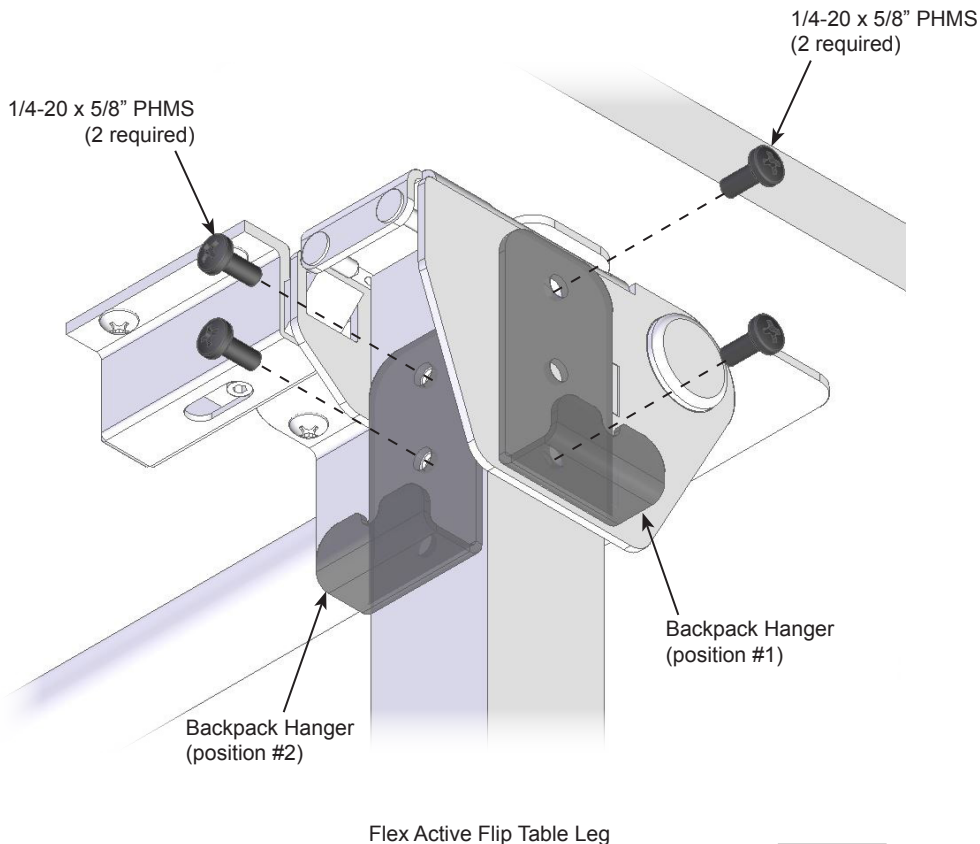


Figure 1