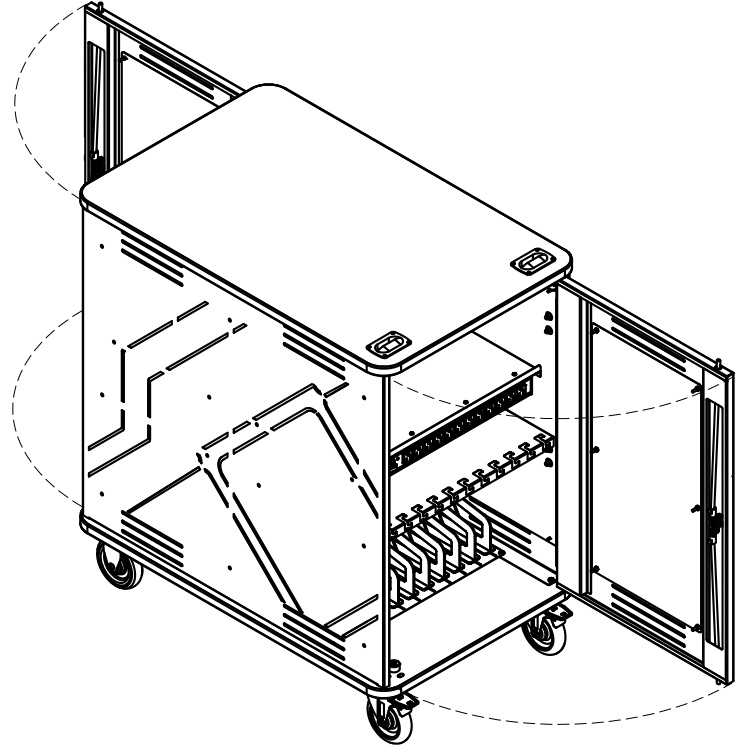
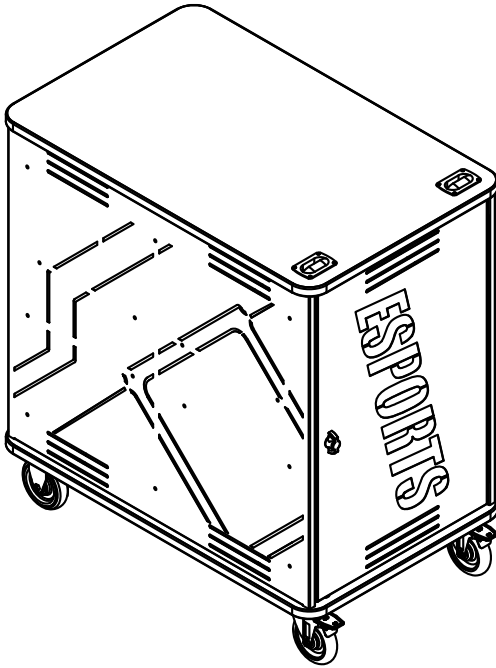


Technical Specifications

55553



The Alliance24 Laptop Gaming Cart was developed to store, transport, and charge up to 24 large gaming laptops and 24 headsets (or other peripherals). Securely storing large format gaming laptops for an entire esports team and easily transporting them between rooms is now possible. The cart is made with heavy-gauge steel for security and powder-coated for a durable, long-lasting finish. Double bolt keyed locking doors increase security. Available in 4 standard colors to match team branding.

Spectrum has the capability to outfit your campus esports furniture in our Expressions colors to promote your team identity! Want a custom or team logo on your classroom esports furniture? We can do that too. No matter your budget or requirements, Spectrum has your Esports furniture solution.

Features and Benefits

- Stores, charges, and transports up to 24 gaming laptops, and 24 headphones
- 1.769"W x 17.69"D x 13.5"H storage bay
- Durable ABS plastic dividers protect Chromebooks from scratching (dividers are removable to provide storage space for thicker devices)
- Optional bins can store other gaming peripherals if needed (*instead of headphone tubes*)
- Double bolt keyed locks and heavy-gauge steel doors provide security
- Color accents match chairs and arena / team branding
- Scratch and impact-resistant high-pressure laminate top panel
- Internal shelves store additional gaming peripherals or optional tote bins
- Superior, all-metal overhead cord management system keeps charge cords organized above each laptop storage bay
- Four inboard 5" balloon wheel plate casters (two locking, two non-locking) with metal construction and non-marring rubber provide easy rolling, and quiet transport (rated for 300 lb each)
- Integrated handles in top panel provides control and maneuverability
- Worksurface and base panel vinyl edging protects walls and furniture
- Cart ships fully-assembled for quick, simple integration and deployment
- Durable powder coated steel chassis provides a long-lasting finish
- Warranted to be free of all defects in materials and workmanship for 10 years, electrical system 2 years
- Designed and assembled in Chippewa Falls, WI, USA
- eLogix™ timer provides cycling power to both power units (non current-sensing) ***For most power adapters up to 180W**
- (2) Horizontal (125V~/12A, 60Hz) 12-outlet AC power units (1 per side)
- External main power switch provides easy-access for safe power connection / disconnection
- Replaceable, IEC (quick-release) 8' nominal 14 AWG, 3-wire power cord and external cord wrap brackets provide easy power access
- Ventilated doors and side panels keep devices and chargers cool, preventing overheating, and extending device life

Color Options

Cart metal is black. Top is Steel Mesh (SM) laminate. Base panel is black laminate. Laminate trim accents available in Navajo Red, Island Green, Royal Blue, and White.



Construction

- The worksurface and base panel, are constructed from 1" thick composite board with high-pressure laminate on one face, and a balancing phenolic backer on the opposing face.
- Laminate panel edges are covered with vinyl edgeband.
- 20-gauge doors, side panels, power-side panel
- All metal components are finished with a scratch-resistant powder coat epoxy
- This cart is factory-assembled, packaged, and shipped on its own skid

! Note: The Alliance24 Gaming Cart is designed to store, charge, and transport gaming laptops and peripherals only. It's not intended for use as a networked esports hub housing operational laptops.

Note: Do not place items weighing more than 50 lb [22.7 kg] on the top surface. Please remove or secure items before moving cart.

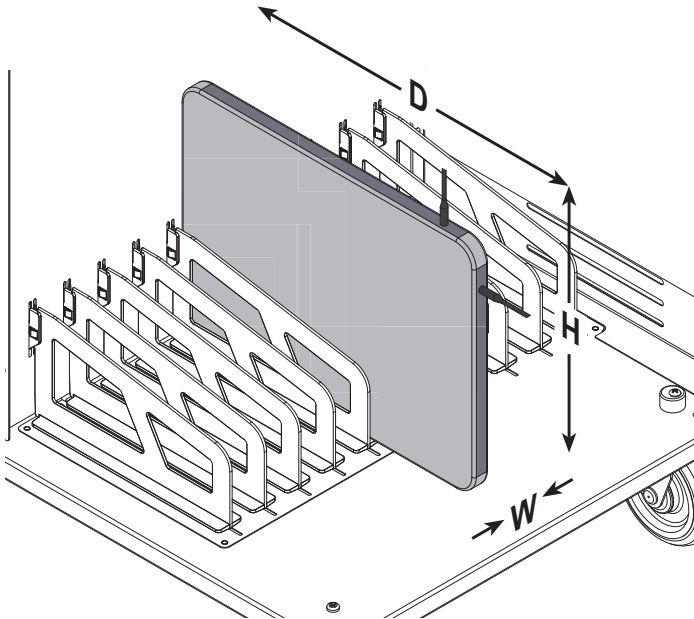
Specifications

Capacity	24 gaming laptops, and 24 headphones	
Storage bays (nominal)	1.77"W [4.5 cm] x 17.69"D [44.92 cm] x 13.5"H [34.3 cm]	
Shelf capacity (nominal)	Upper shelf: 22.66"W [57.56 cm] x 12.45"D [31.64 cm] x 8.78"H [22.31 cm]	
	Lower shelf: 22.66"W [57.56 cm] x 14"D [35.75 cm] x 4.18"H [10.63 cm]	
Electrical	<ul style="list-style-type: none"> • Two 12-outlet power units (one per side) • 125V~/12A, 60Hz • 15-amp breaker 	<ul style="list-style-type: none"> • IEC quick-release (replaceable) 8' nominal, 14 AWG, 3-wire power cord • ETL certified to 60950-1
Charging options (See p.4 for specs)	<p>! Note: The customer should be aware of the amp draw of the devices used with this cart-especially when maxing out the storage and charging capacity. Exceeding 15 amps will trip the circuit breaker. Please consult the owners manual of your specific devices for power consumption information.</p>	
5" Balloon Wheels	Weight capacity 300 lb [136.2 kg] each (2 locking, 2 non-locking)	
Certifications / Compliance	<ul style="list-style-type: none"> • Meets or exceeds applicable ANSI-BIFMA test standards 	
Unit weight (nominal)	110 lb [49.9 kg]	
Shipping weight (nominal)	120 lb [54.5 kg]	

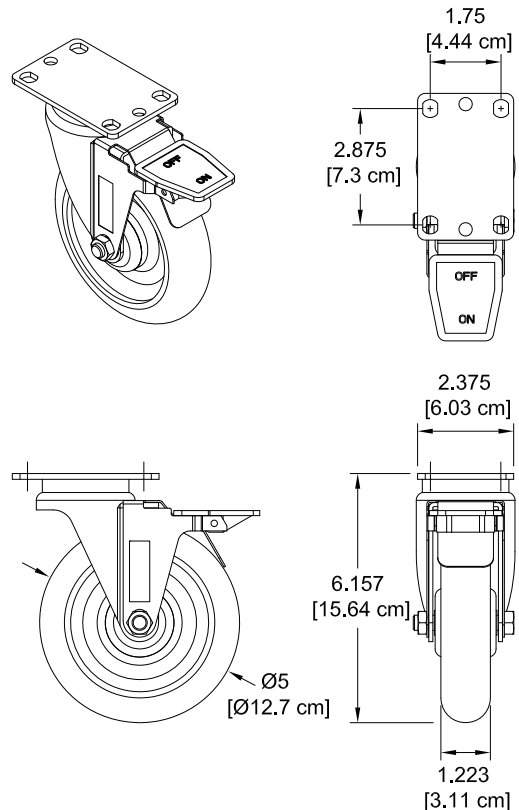
Specifications subject to change without notice

Devices must be placed in the bays with the charge plug on one of the two exposed edges shown.

Note: (2) locking, and (2) non-locking casters are included on each unit.



5" Balloon Wheel





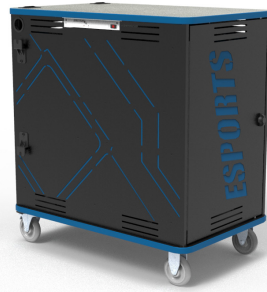
55553-SMNRBNR

(SM) Steel Mesh - Top
(NR) Navajo Red - Edgeband
(B) Black - Metal
 Signal Red - Laminate accent



55553-SMIGBIG

(SM) Steel Mesh - Top
(IG) Island Green - Edgeband
(B) Black - Metal
 Lime Green - Laminate accent



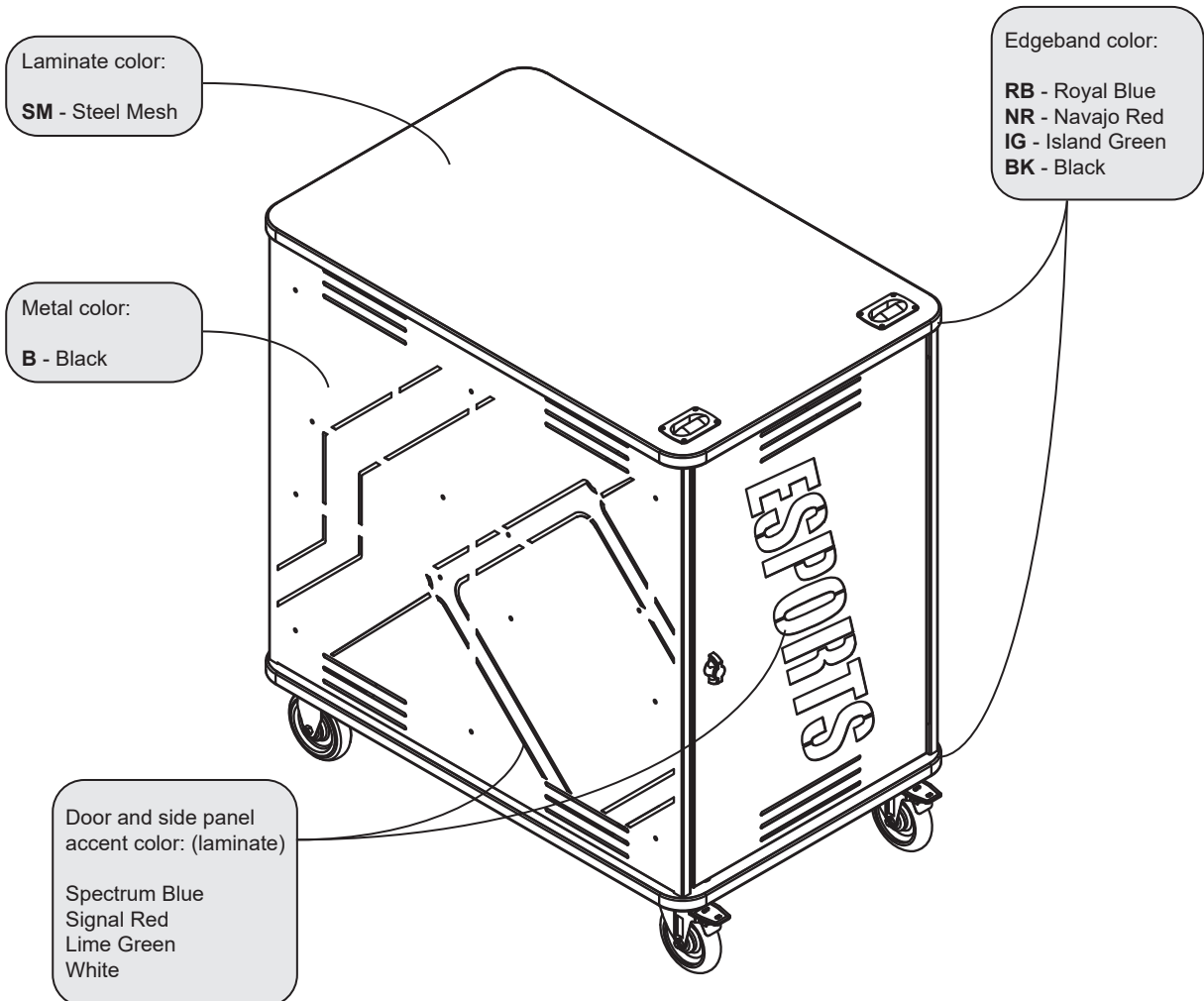
55553-SMRBBRB

(SM) Steel Mesh - Top
(RB) Royal Blue - Edgeband
(B) Black - Metal
 Spectrum Blue - Laminate accent

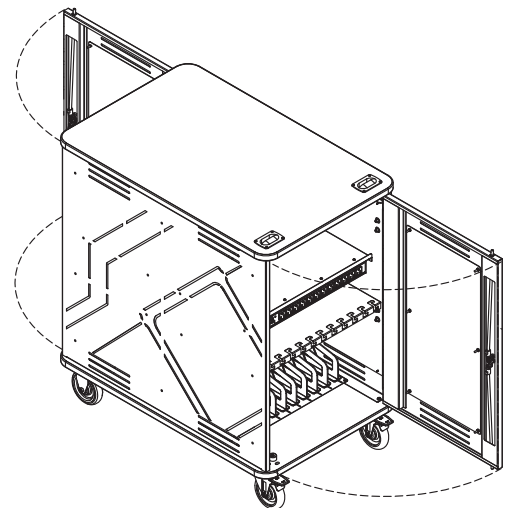
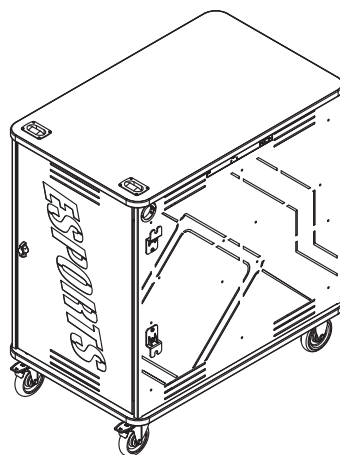
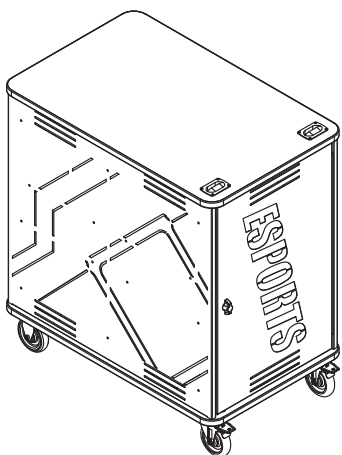
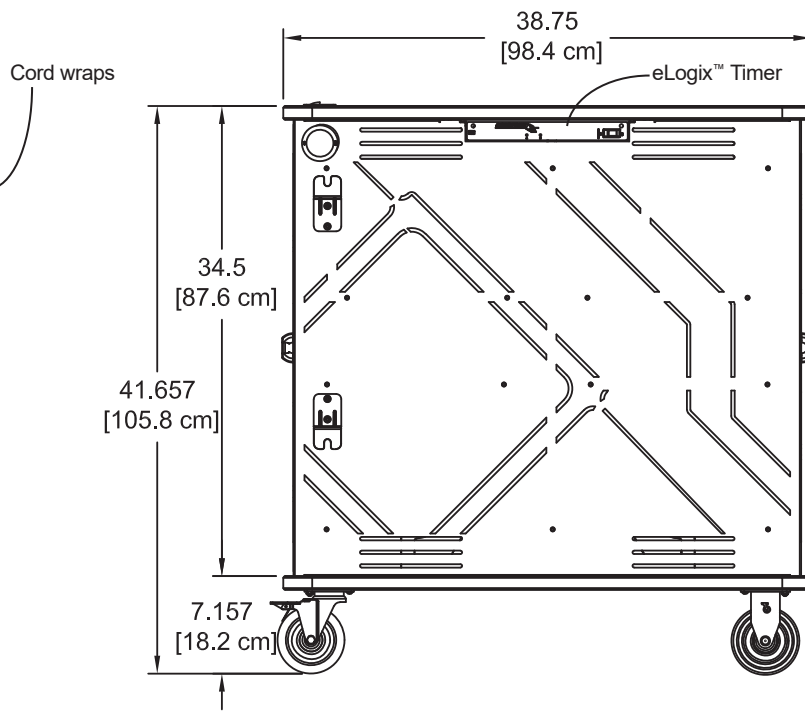
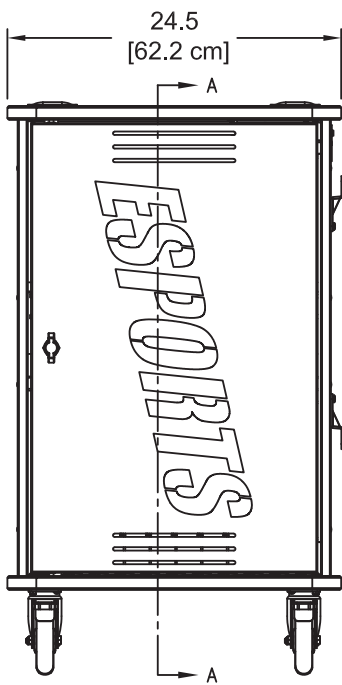


55553-SMBKBWH

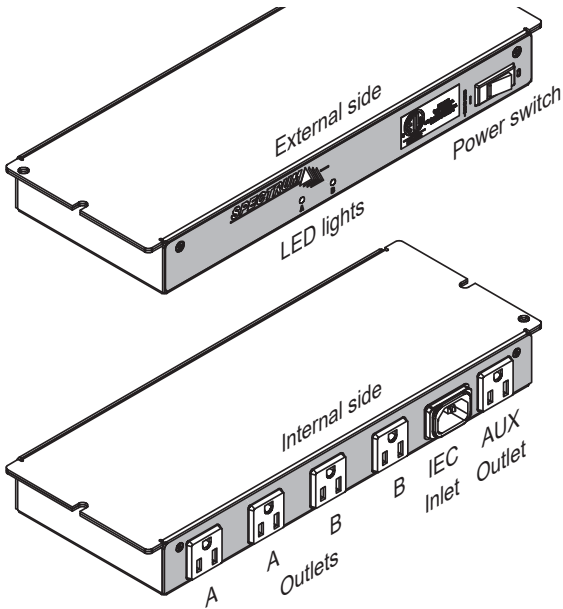
(SM) Steel Mesh - Top
(BK) Black - Edgeband
(B) Black - Metal
 White - Laminate accent



Alliance24 Laptop Gaming Cart




The eLogix™ timer charges one half of the devices for 15 minutes, then charges the second half of the devices for another 15 minutes. This cycling occurs automatically and is not adjustable. Maximum charging capacity: 2,880 watts.




- Two timed power-unit dedicated outlets (labeled A, B) (up to 10A power output)
- Two green LED lights indicate charging activity status
- One auxiliary outlet (external)
- ETL certified to 60950-1

Input:	125V~/12A, 60Hz
Breaker:	15A, 250 VAC
Cycling interval:	15 minutes
Cycling outlets:	4 timed (A, B) up to 10A
Auxiliary outlet:	1A (controlled by main power switch)
Power Cord:	IEC quick-release (replaceable) 8' nominal, 14 AWG, 3-wire
Power switch:	15A (externally accessible)



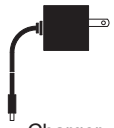
Total watts required per cart (estimated)

=



Number of devices

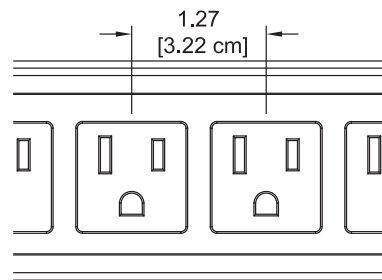
X

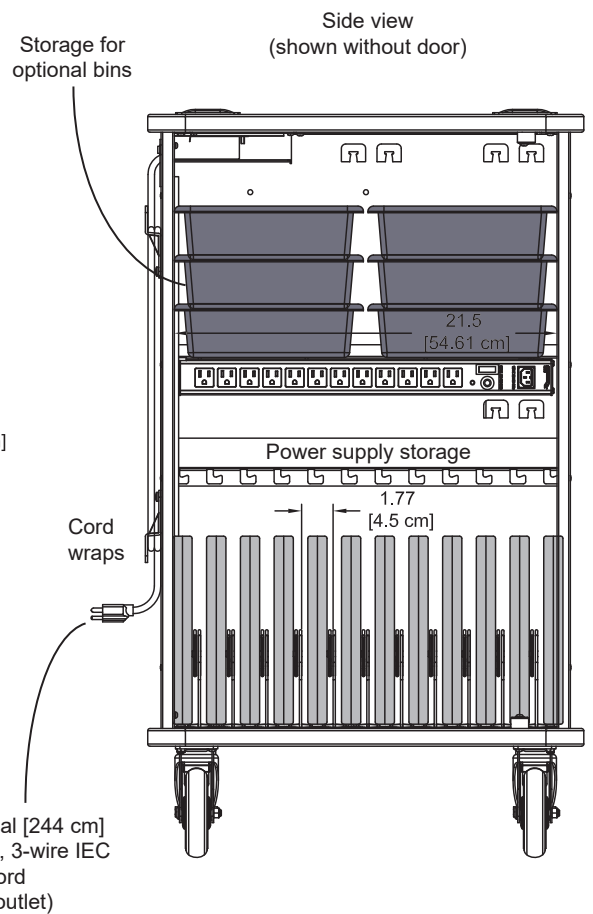
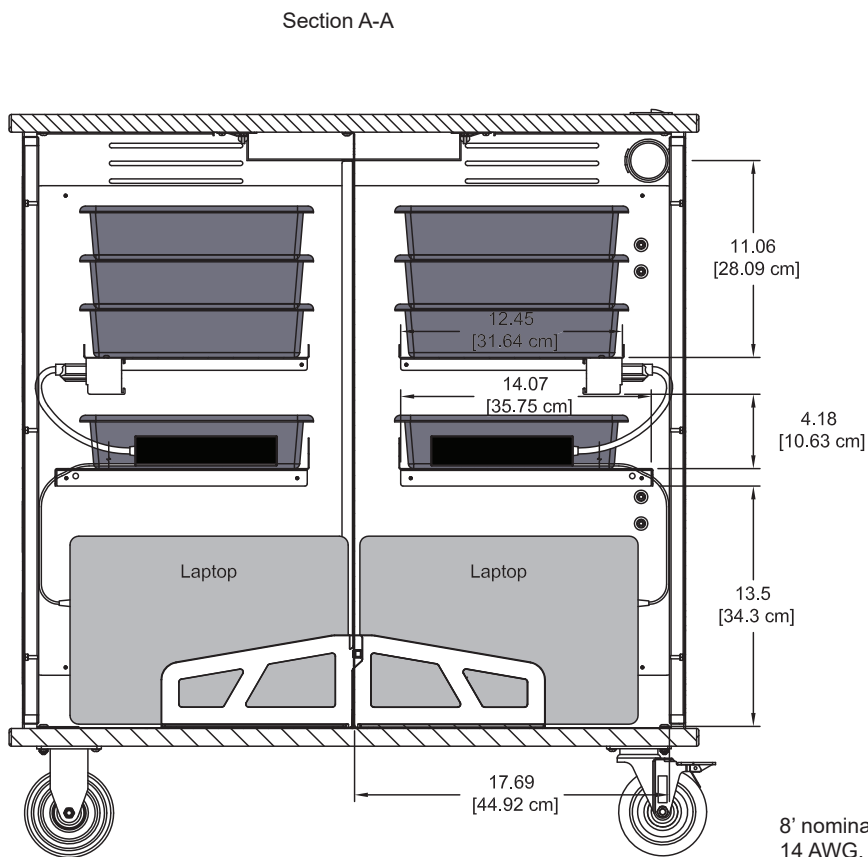
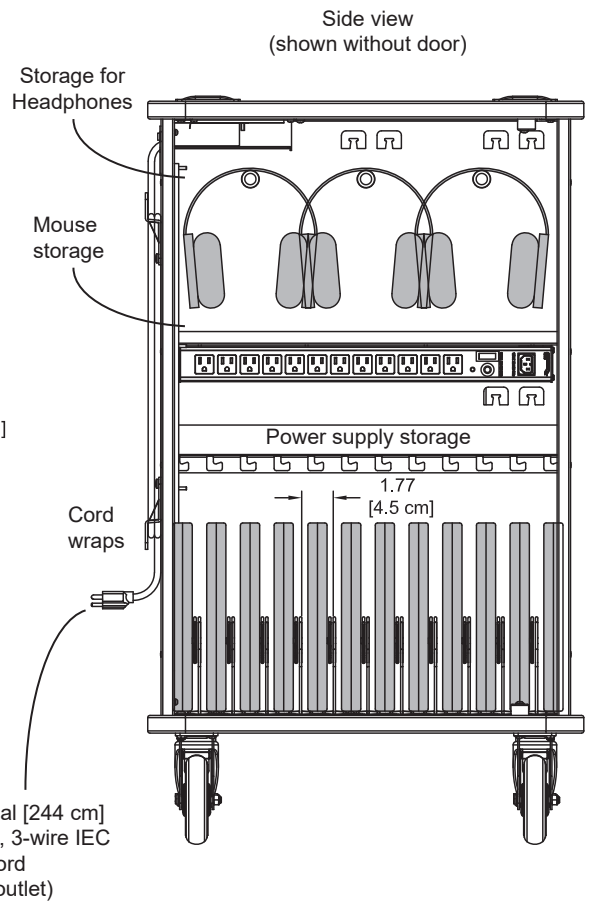
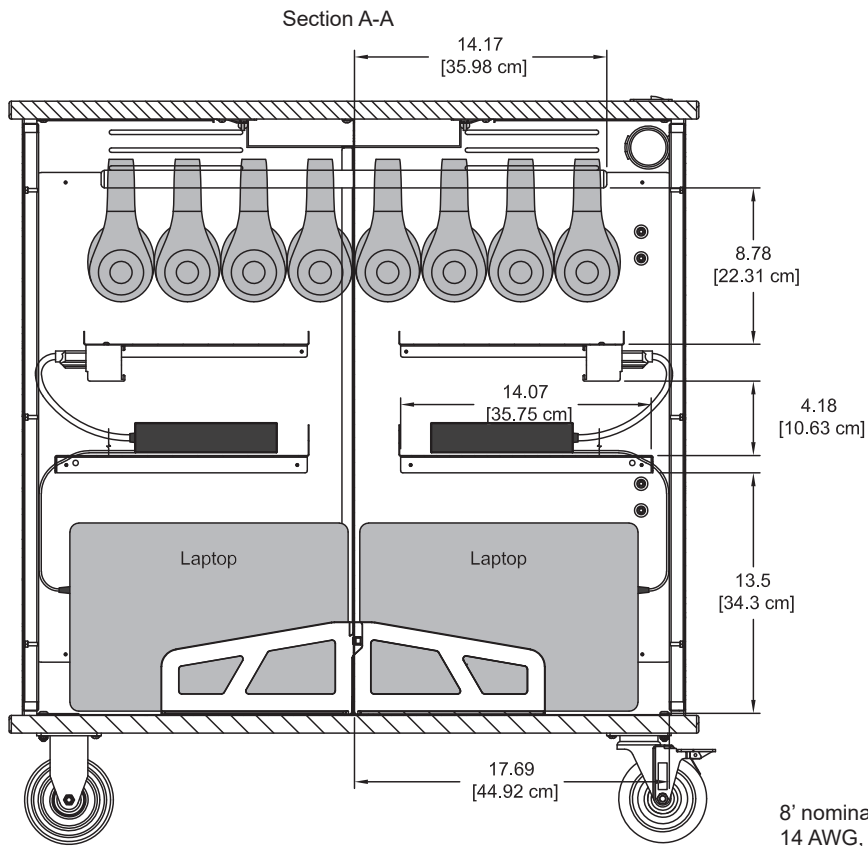


Charger wattage

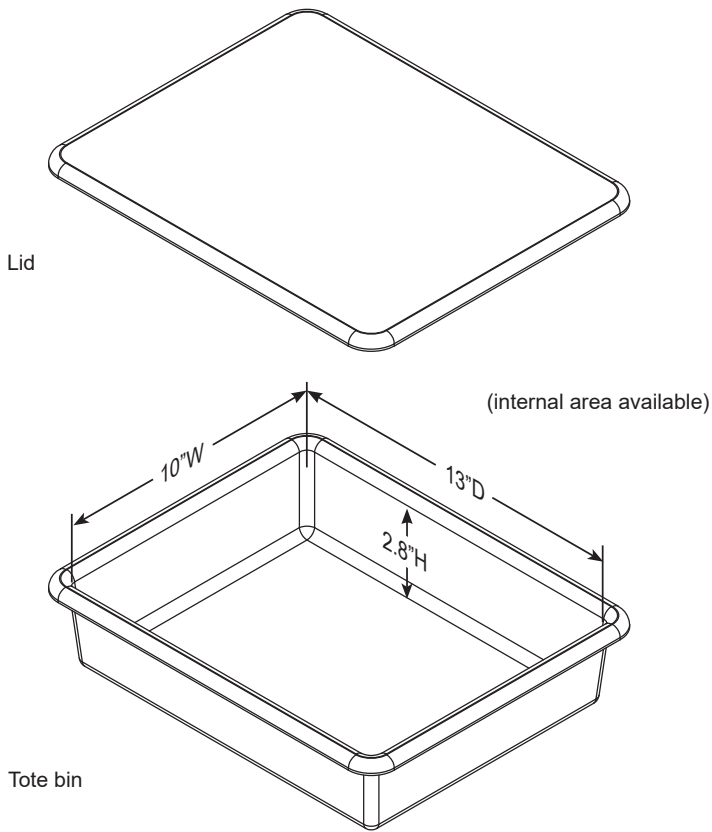
Nominal outlet spacing on each 12-outlet power unit

Includes (2) 12-outlet power units





Note: The headphone tubes can be removed to maximize shelf space for bins.



3" Deep Tote Bins w/ lids (5-pack) - 95033

- Overall dims: 10-5/8"W x 13-1/8"D x 3"H
- Internal dims: 10"W x 13"D x 2.8"H
- Translucent impact-resistant plastic
- Includes lids to help keep tote bin contents contained
- Unit weight (ea): .5 lb [.227 kg]
- Shipping weight: 3 lb [1.4 kg]

Note: The headphone tubes can be removed to maximize shelf space for all 5 bins.

Warranty

We will make it right for you!

Thanks for choosing Spectrum! Spectrum is committed to provide complete customer satisfaction. Each of our products is manufactured from the best materials available and each product is stringently monitored throughout the production process through our P.A.C.E. program (Product Assurance to meet Customer Expectations).

We expressly warrant that Spectrum products will be of good quality and workmanship and free from defect for the period set out in the warranty from the date of delivery.

For a listing of all product specific warranty terms please visit our website at:

<https://www.spectrumfurniture.com/en/resources/purchasing-terms-warranty>

1-800-235-1262

Toll-free HELPLINE

spectrum@spectrumfurniture.com