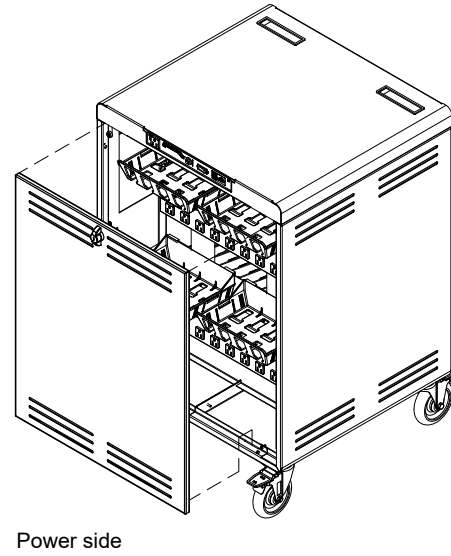
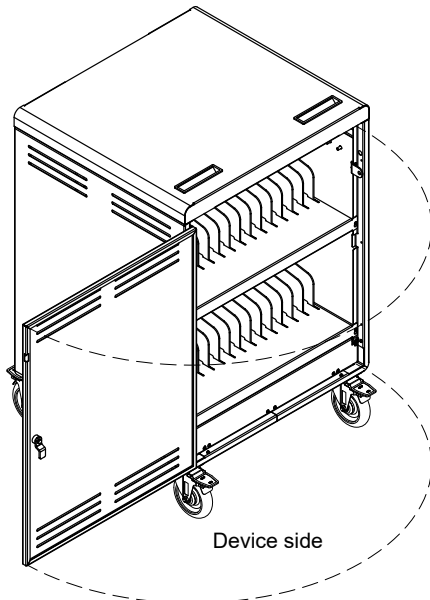


Technical Specifications

55473



Use the Connect30 Cart to store, transport, and charge up to 30 tablets, Chromebooks or notebooks. A current-sensing PowerProdigy™ charging system is available if current requirements exceed 10 amps. Flexible dividers protect the devices. The overhead wire management aids the wiring integration and allows the charging plugs to hang in front of each device. The cart's compact footprint and top handles provide easy mobility. The Connect30 Cart is made with heavy-gauge steel for security and powder-coated for a durable, long-lasting finish. Locking door and panel increase notebook security.



Features and Benefits

- Stores, charges, and transports up to 30 devices (most tablets, Chromebooks, or notebooks up to 14")
- 1.349"W x 15.675"D x 10.913"H storage bay
- Small cart footprint (26"W x 24"D) saves valuable space
- Durable ABS plastic dividers protect devices from scratching (dividers are removable to provide storage space for thicker devices)
- Single keyed locks and heavy-gauge steel door and panel provide security
- Integrated padlock hasp in the hinged door provides an additional level of security and the ability to use your padlock of choice (not included), or secure the unit to a wall
- Devices and students are separated from AC line voltage
- Superior, all-metal overhead cord management system keeps charge cords organized above each storage bay

Available with:

- PowerProdigy™ charging system that senses current from both 16-outlet power units and distributes power (up to 10A) to the least-charged devices first (where charging is needed most)
***For most power adapters up to 135W**
- eLogix™ timer provides cycling power to both power units (non current-sensing) ***For most power adapters up to 90W**
- Available with Power Switch which provides continuous power to both power units (non current-sensing) ***For most power adapters up to 45W**

- Cart is available prewired with USB-C PD chargers
- Two 16-outlet, (125V~/12A, 60Hz) universal power units work with both inline, and wall adapters
- External power switch provides easy-access for safe power connection / disconnection
- Two auxiliary outlets (always on) for teacher laptop, WiFi access point, or other accessory (1 external, 1 internal)
- Optional removable QuickBrick™ wiring trays with retaining straps for charge adapters allow wiring to be completed outside the cart at the comfort of a workstation or desk to provide quick and easy integration
- Ventilated door and side panels keep devices and chargers cool, preventing overheating, and extending device life
- Replaceable, IEC quick-release 8' nominal 14 AWG, 3-wire power cord and external cord wrap brackets provide easy power access

- Four inboard 5" balloon wheel plate casters (two locking, two non-locking) with metal construction and non-marring rubber provide easy rolling, and quiet transport (rated for 300 lb each)
- Inset handles in top panel and optional steel handle provide control and maneuverability
- Cart ships fully-assembled with handle for quick, simple integration and deployment
- Durable powder coated steel chassis provides a long-lasting finish
- Scratch and impact-resistant high-pressure laminate top provides a durable, useful worksurface for instructors
- ETL certified to UL 60950-1 in the US and Canada for the cart and electrical system
- Warranted to be free of all defects in materials and workmanship for 10 years, electrical system 2 years
- Designed and assembled in Chippewa Falls, WI, USA

Note: This cart is designed to hold up to 30 devices.

55473-CBQ - Connect30 w/ PowerProdigy™ timer

55473-CBR - Connect30 w/ Power switch

55473-CBT - Connect30 w/ eLogix™ timer

55473-USBC - Connect30 w/ USB-C PD charging / eLogix™ timer (prewired)

Color Options



Metal:
Warm Gray

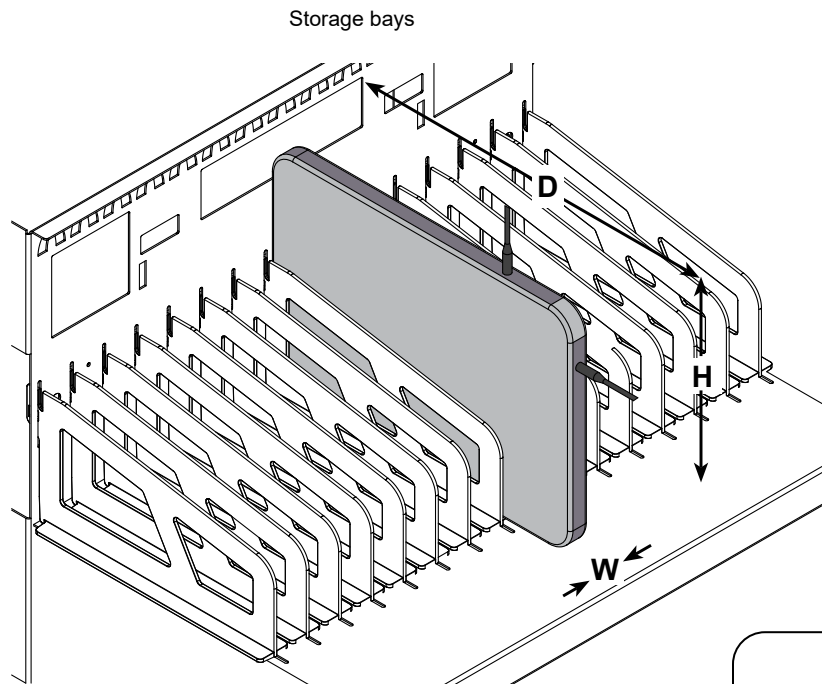
Construction

- 16-gauge side panels, shelves, door, and panel
- All metal components are finished with a scratch-resistant powder coat epoxy
- ABS plastic QuickBrick™ removable trays
- This cart is factory-assembled, packaged, and shipped on its own skid
- Handle requires customer-installation (handle versions only)

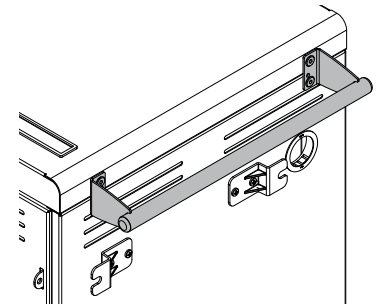
Specifications

Capacity	30 Chromebooks, Tablets, or Notebooks	
Storage bays (nominal)	1.349"W [3.42 cm] x 15.675"D [39.81 cm] x 10.913"H [27.72 cm]	
Electrical	<ul style="list-style-type: none"> • (2) 16-outlet power units (outlets rotated 90°) • 125V~/12A, 60Hz • 15-amp breaker 	<ul style="list-style-type: none"> • Locking power-side panel isolates and separates electrical line voltage from students • ETL certified to UL 60950-1
Charging options (See p.4 for specs)	<p>⚠ Note: The customer should be aware of the amp draw of the devices used with this cart-especially when maxing out the storage and charging capacity. Exceeding 15 amps will trip the circuit breaker. Please consult the owners manual of your specific device for power consumption information.</p>	
Wheels	5" Balloon Wheels (total locking) - Weight capacity 300 lb [136.2 kg] each	
Certifications / Compliance	<ul style="list-style-type: none"> • ETL certified to UL 60950-1 	<ul style="list-style-type: none"> • Meets or exceeds applicable ANSI-BIFMA test standards
Unit weight (nominal)	150 lb [68.1 kg]	
Shipping weight (nominal)	170 lb [77.2 kg]	

Specifications subject to change without notice




Optional Steel Handle (black)
(customer-installed)



Notebooks / laptops must be placed in the bays with the charge plug on one of the two exposed edges shown.

Note: Do not place items weighing more than 50 lb [22.7 kg] on the top surface. Please remove or secure items before moving cart.

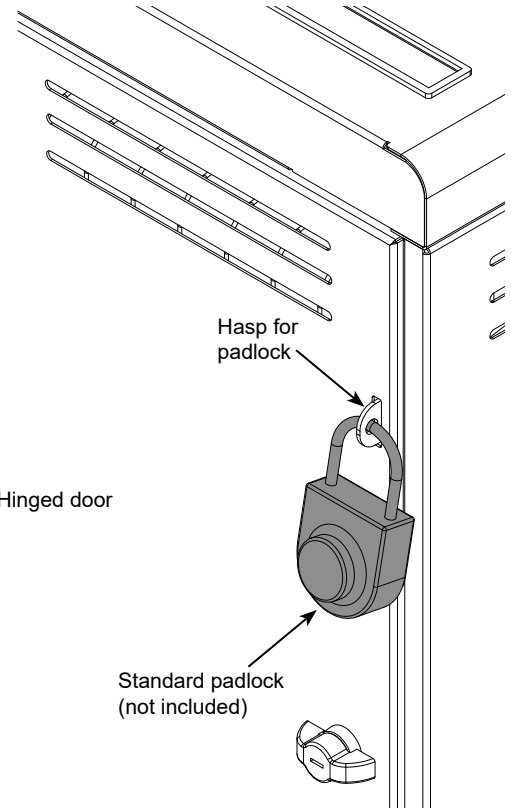
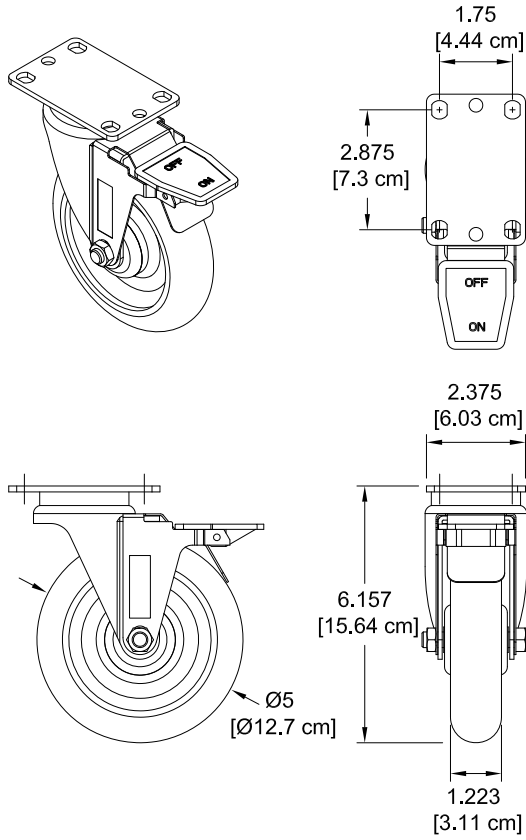
USB-C PD Charger
(USB-C PD prewired cart only)



Specifications:

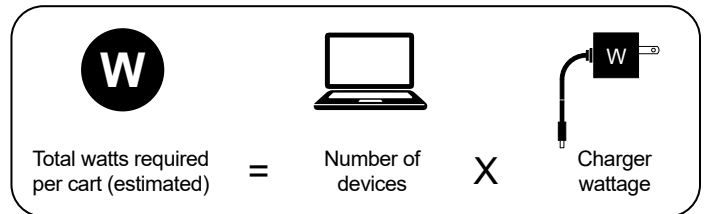
- Model: HA712
- Input: 100-240V ~ 50/60Hz 1.5A
- Output (USB-C PD): 5V~3A 9V~3A 12V~3A 15V~3A 20V~3.25A
- Dimensions: 1.97" x 1.97" x 1.10" (50mm x 50mm x 28mm)
- Net Weight: 3.42 oz [97 g]

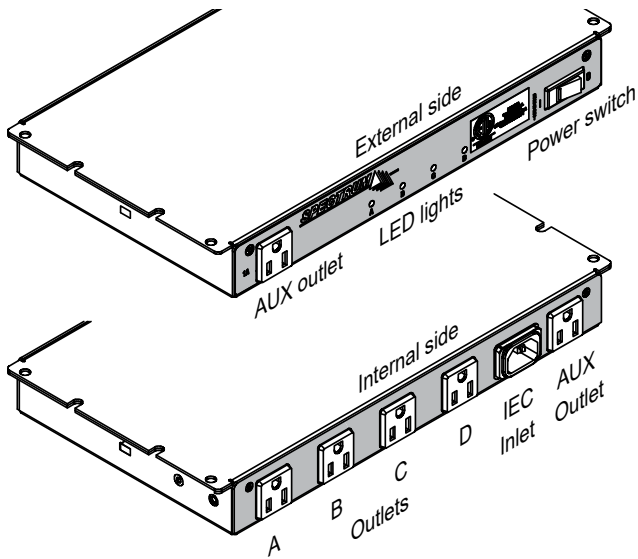
5" Balloon Wheel



Electrical Options

Connect30™ Electrical comparison			
PowerProdigy™ Timer	eLogix™ Timer	Power Switch	
✓		✓	External auxiliary outlet
✓	✓	✓	Internal auxiliary outlet
✓	✓	✓	External on/off switch
✓			Load-sensing technology
	✓		2 bank
✓		✓	4 bank
✓			Max charging capacity: 5,760 watts (on Connect30, most power adapters up to 135W)
	✓		Max charging capacity: 2,880 watts (on Connect30, most power adapters up to 90W)
		✓	Max charging capacity: 1,440 watts (on Connect30, most power adapters up to 45W)
✓	✓		LED lights indicate charging status
✓	✓	✓	ETL certified to 60950-1



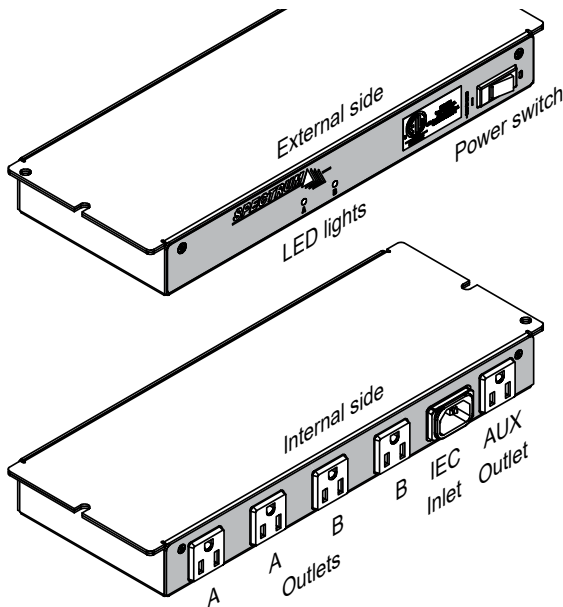


PowerProdigy™ Timer (D)

**Use with higher amp-draw devices.
Maximum charging capacity: 5,760 watts.**

- Smart charging senses current and distributes power to the power units requiring it most
- Four green LED lights indicate charging activity status of each power unit
- Four timed power unit-dedicated outlets (labeled A, B, C, D) controlled by logic board
- Two auxiliary outlets (1 external, 1 internal)
- ETL certified to UL 60950-1

Input:	125V~/12A, 60Hz
Breaker:	15A, 250 VAC
Cycling interval:	15 minutes
Cycling outlets:	4 timed (A, B, C, D) up to 10A
Auxiliary outlets:	1A each (controlled by main power switch)
Power Cord:	IEC quick-release (replaceable) 8' nominal, 14 AWG, 3-wire
Power switch:	15A (externally accessible)

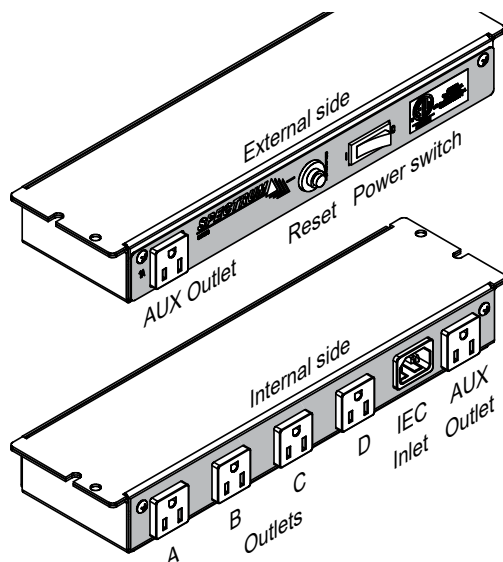


eLogix™ Timer (L)

The eLogix™ timer charges one half of the devices for 15 minutes, then charges the second half of the devices for another 15 minutes. This cycling occurs automatically and is not adjustable. Maximum charging capacity: 2,880 watts.

- Two timed power-unit dedicated outlets (labeled A, B) (up to 10A power output)
- Two green LED lights indicate charging activity status
- One auxiliary outlet (external)
- ETL certified to UL 60950-1

Input:	125V~/12A, 60Hz
Breaker:	15A, 250 VAC
Cycling interval:	15 minutes
Cycling outlets:	4 timed (A, B) up to 10A
Auxiliary outlet:	1A (controlled by main power switch)
Power Cord:	IEC quick-release (replaceable) 8' nominal, 14 AWG, 3-wire
Power switch:	15A (externally accessible)



Power Switch (B)

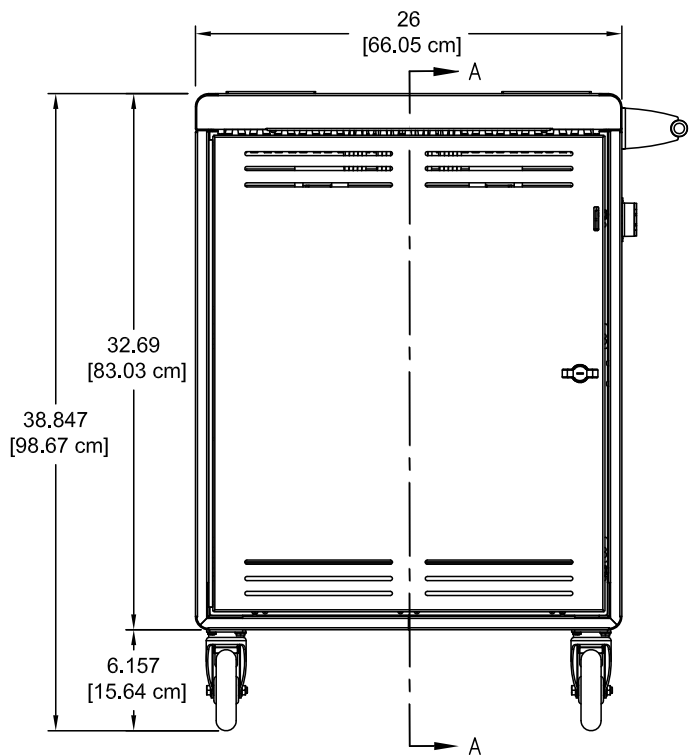
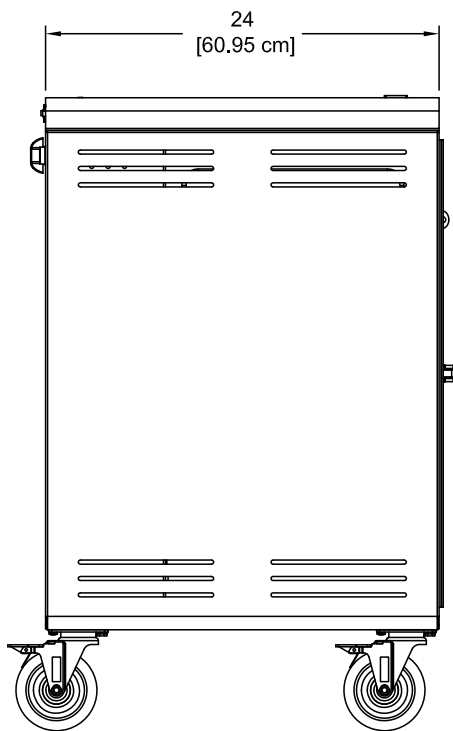
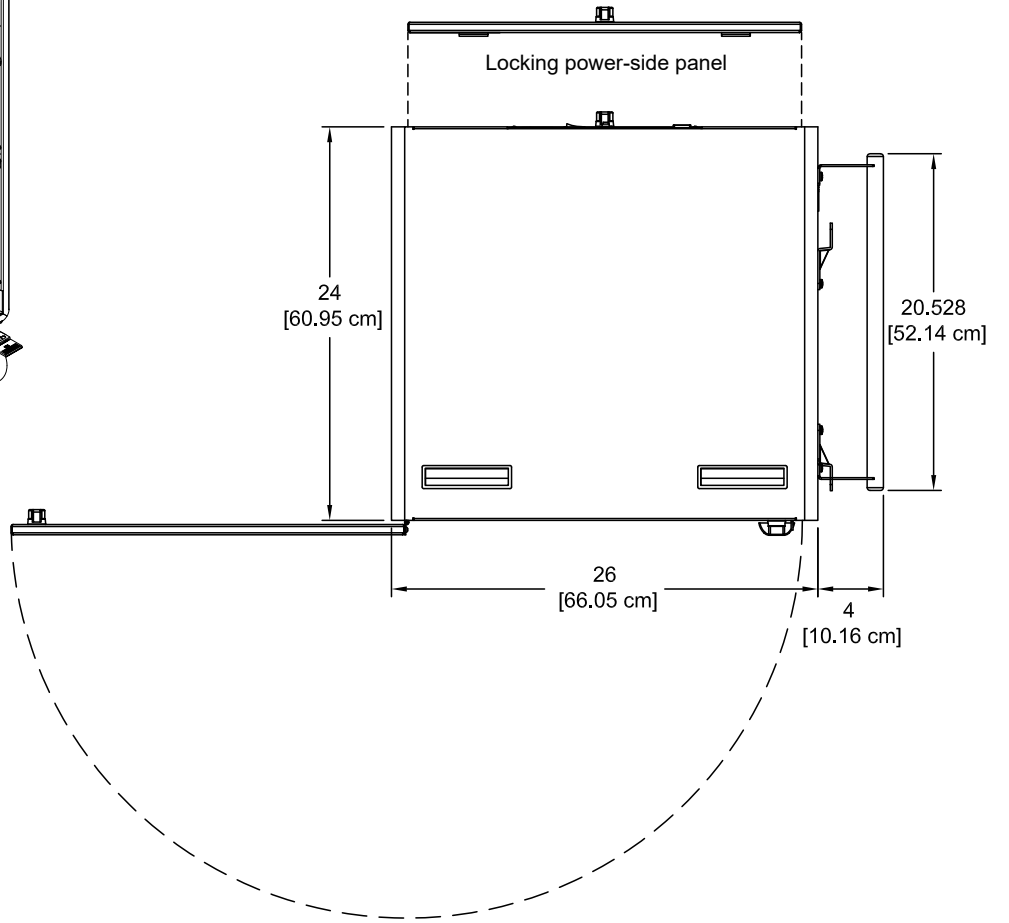
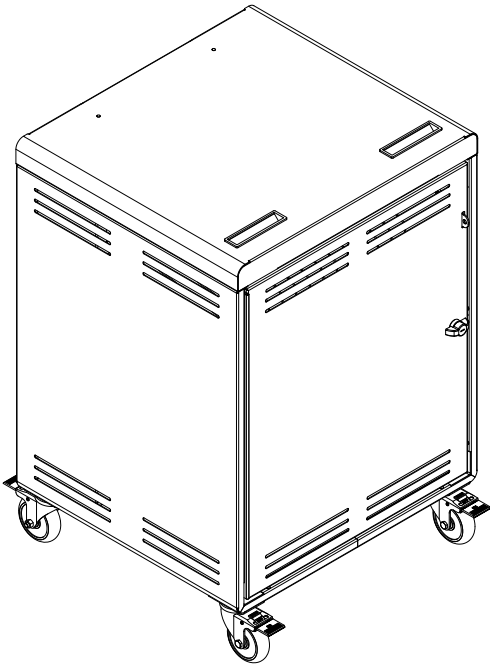
The Power Switch provides continuous power to all power units. Use with lower amp-draw devices. Maximum charging capacity: 1,440 watts.

- Four continuous power-unit dedicated outlets (labeled A, B, C, D)
- Two auxiliary outlets (1 external, 1 internal)
- ETL certified to UL 60950-1

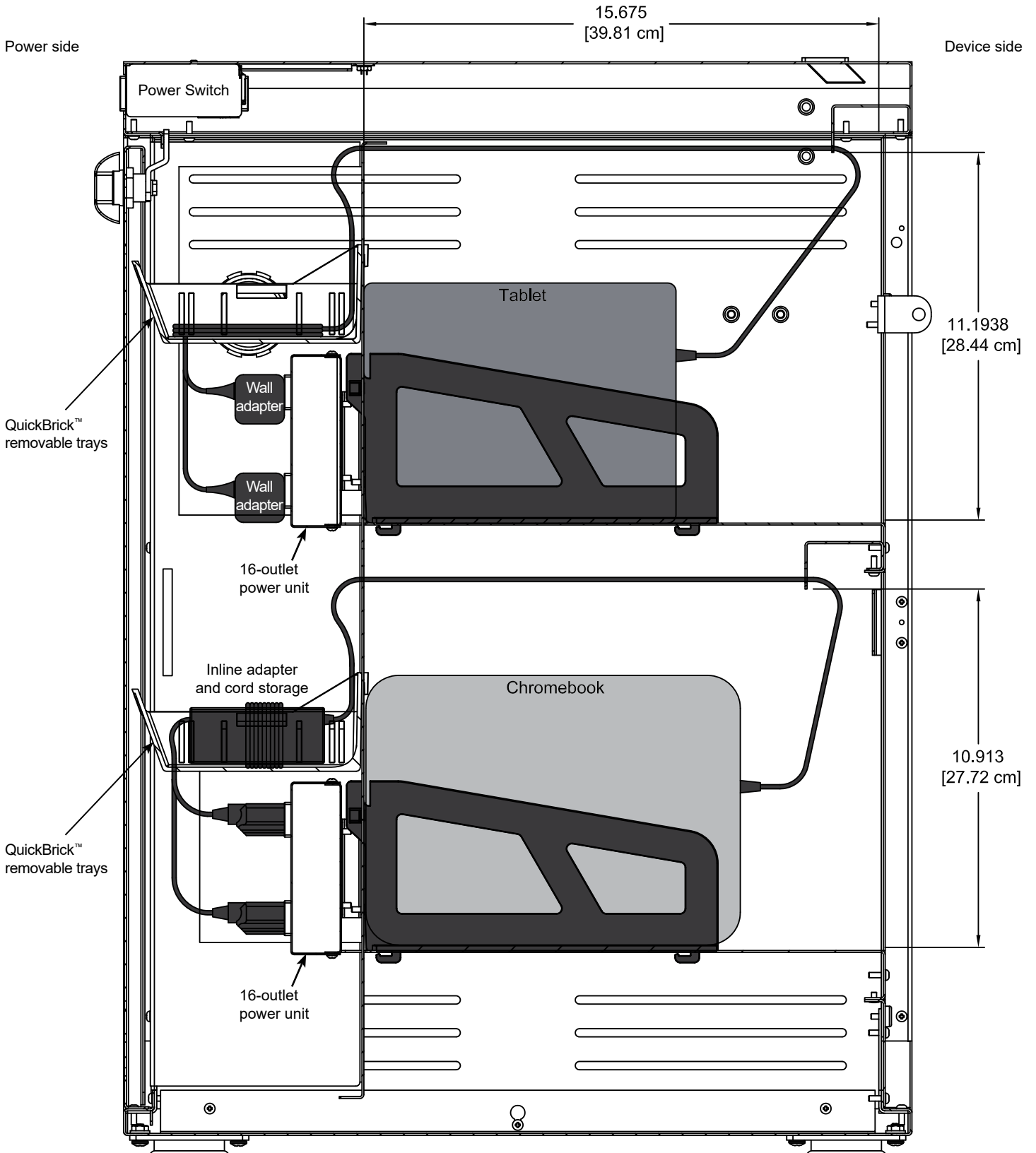
Input:	125V~/12A, 60Hz
Breaker:	15A, 250 VAC
Outlets:	4 timed (A, B, C, D) up to 10A
Auxiliary outlets:	1A each (controlled by main power switch)
Power Cord:	IEC quick-release (replaceable) 8' nominal, 14 AWG, 3-wire
Power switch:	15A (externally accessible)

Connect30 Cart

Shown with optional handle



Connect30
Section view A-A



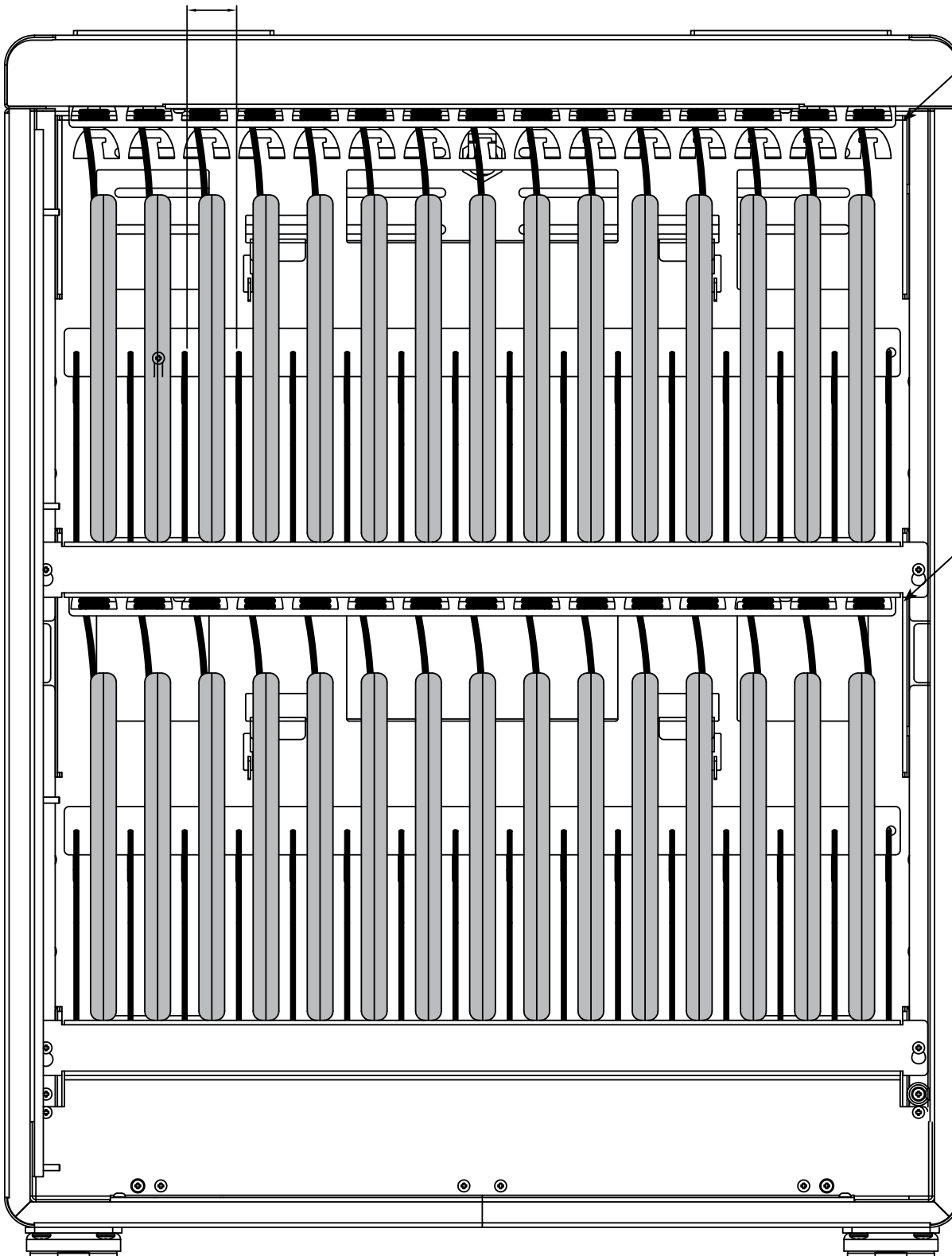
Connect30
Device side view wiring diagram
(shown without door)

1.349
[3.42 cm]

Overhead cord management

Cord wraps

Overhead cord management

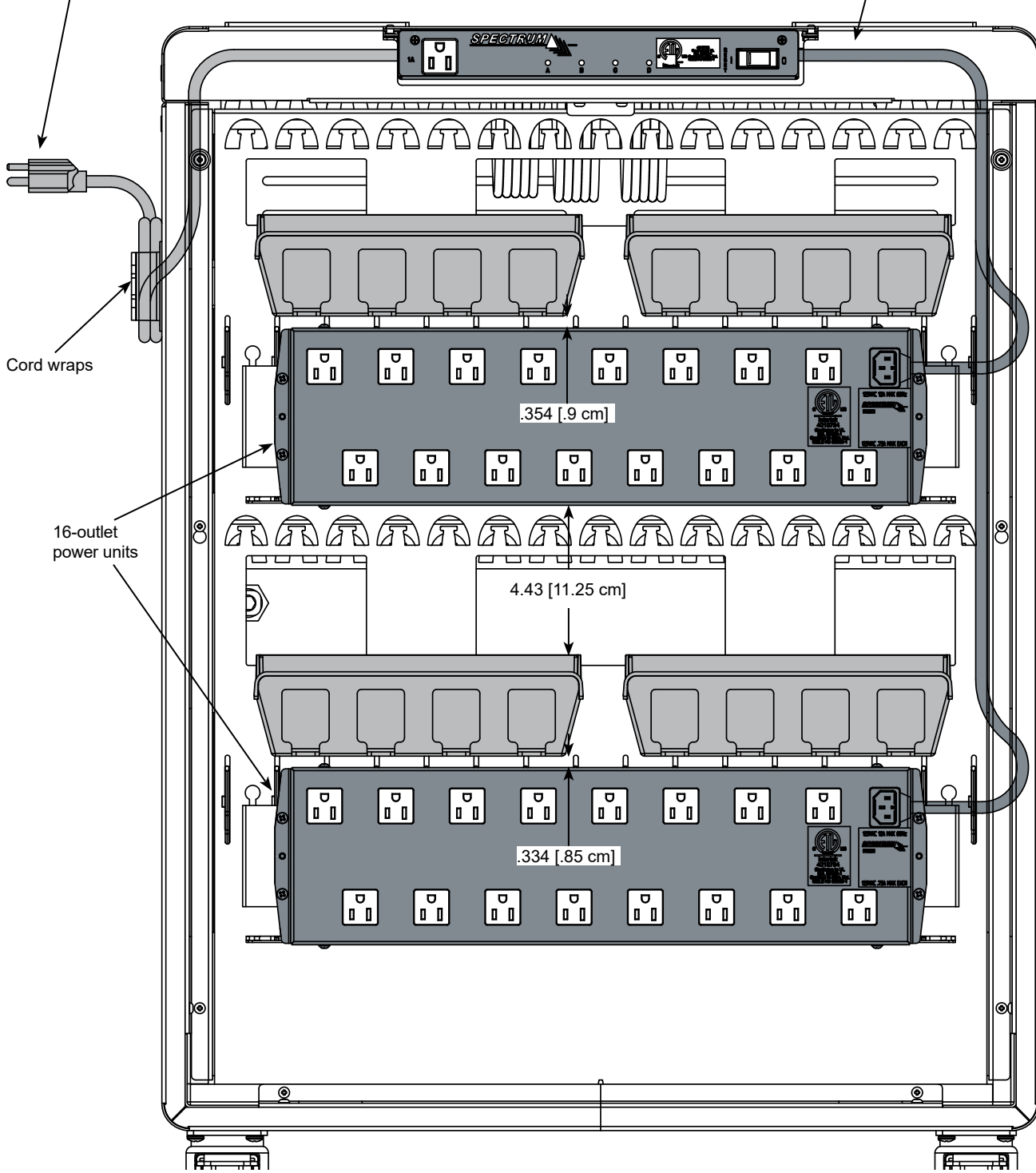


Connect30
Power side wiring diagram
(shown without locking panel)

15' nominal [1m] 14 AWG,
3-wire IEC power cord
(to wall outlet)

Power cord to switch
or timer

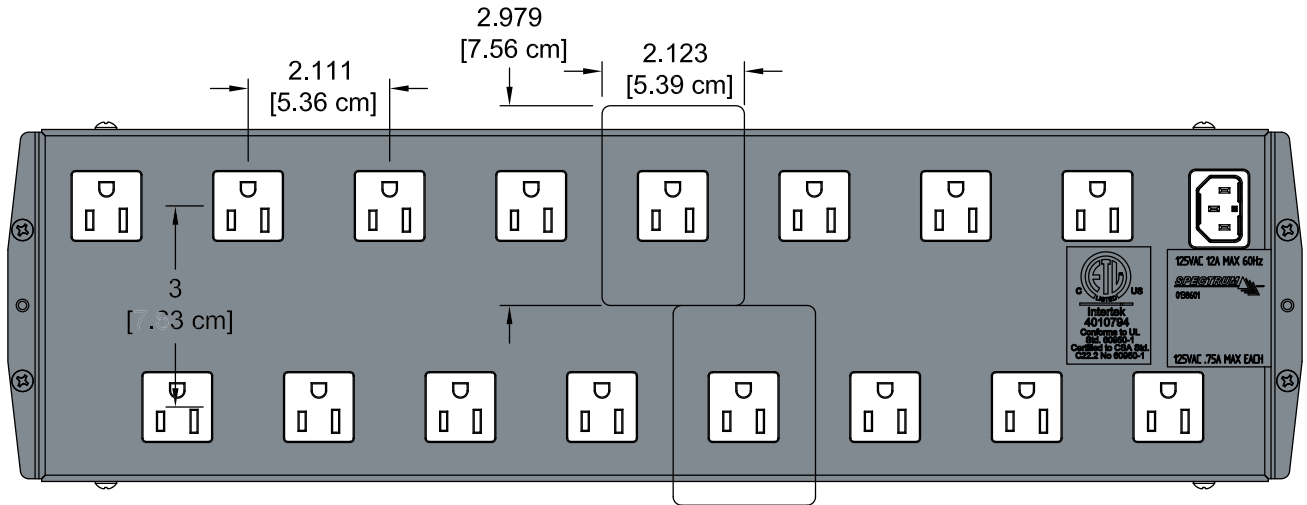
(Shown with PowerProdigy™ Timer)



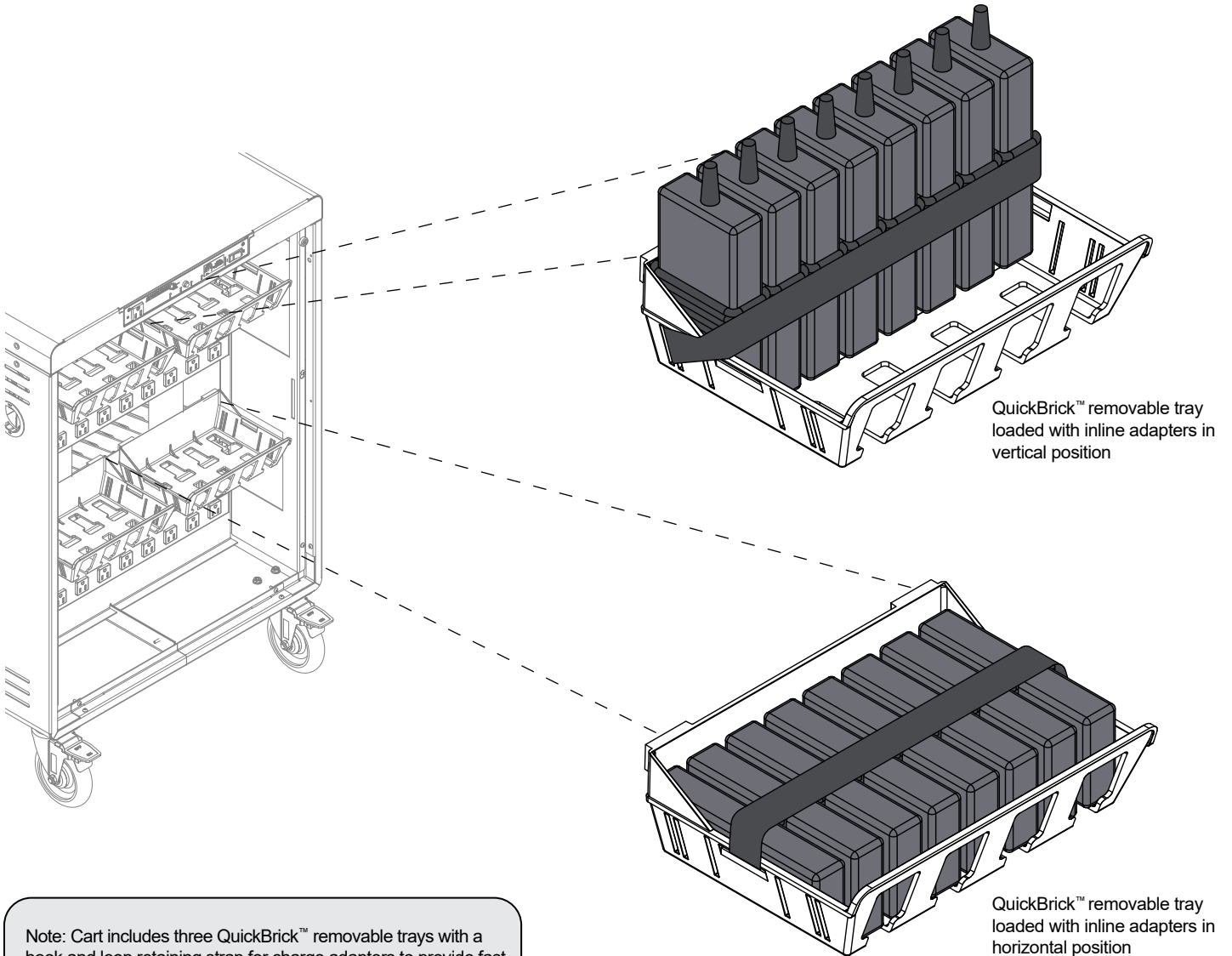
Cord wraps

16-outlet
power units

Nominal outlet spacing on each 16-outlet power unit



(See p.8 for spacing above and below outlets)

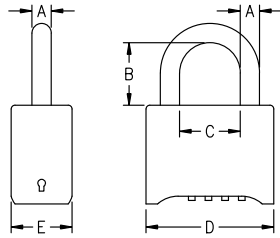


QuickBrick™ removable tray loaded with inline adapters in vertical position

QuickBrick™ removable tray loaded with inline adapters in horizontal position

Note: Cart includes three QuickBrick™ removable trays with a hook and loop retaining strap for charge adapters to provide fast and easy wiring for quick deployment.

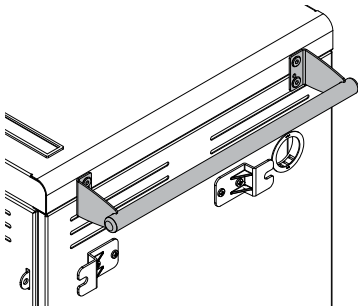
For devices with wall adapters, the QuickBrick™ removable trays can be used to store bundled cords.



A	.3125" [7.9 mm]
B	1" [25.4 mm]
C	.983" [25 mm]
D	2.07" [52.5 mm]
E	.987" [25.1 mm]

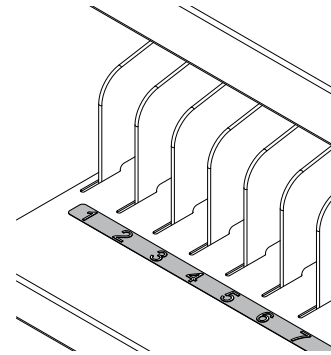
Re-programmable 4-digit Combination Lock - 95536

- Set your own 4-digit personalized combination (up to 10,000 options)
- 5/16" hardened steel shackle for cut-resistance
- Black powdercoated die-cast body for durability
- Change key included
- Unit weight: .55 lb [.25 kg]



Steel Handle - 55393

- Customer-installed accessory for units purchased without configured handle
- 20"W [50.8 cm]
- Shipping weight: 2.2 lb [1 kg]



Slot labels for Connect30 - 55476

- Black numbers on transparent adhesive backer
- 1-15 label, 16-30 label



Hook-and-loop Strap Kit - 95004

(16) .75" [1.91 cm] x 12" [30.48 cm],
and (32) .75" [1.91 cm] x 5" [12.7 cm]

Warranty

We will make it right for you!

Thanks for choosing Spectrum! Spectrum is committed to provide complete customer satisfaction. Each of our products is manufactured from the best materials available and each product is stringently monitored throughout the production process through our P.A.C.E. program (Product Assurance to meet Customer Expectations).

We expressly warrant that Spectrum products will be of good quality and workmanship and free from defect for the period set out in the warranty from the date of delivery.

For a listing of all product specific warranty terms please visit our website at:

<https://www.spectrumfurniture.com/en/resources/purchasing-terms-warranty>

1-800-235-1262

Toll-free HELPLINE

spectrum@spectrumfurniture.com