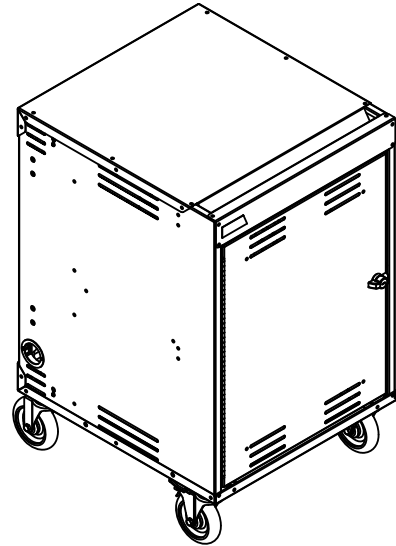
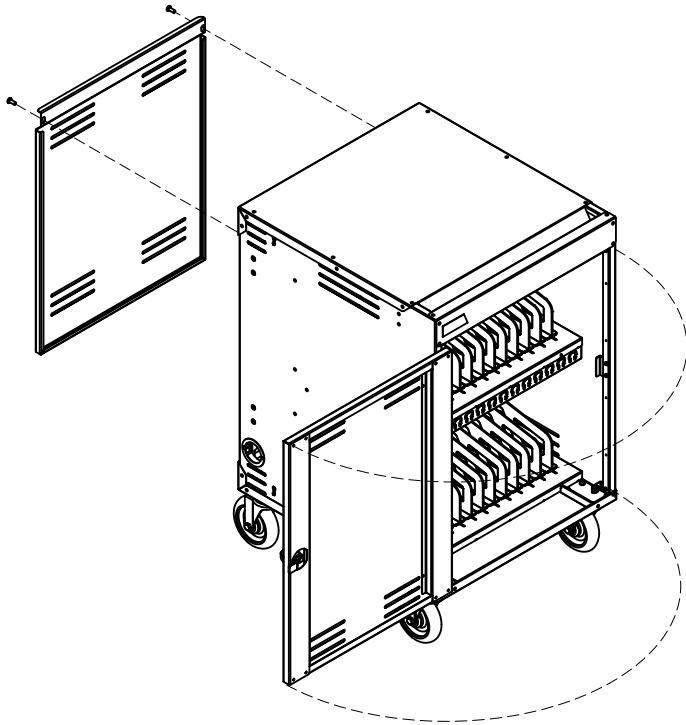


## Technical Specifications

55551



Use the economical SE30 Cart to store, transport, and charge up to 30 devices. The cart's light, ultra-compact 24"W x 22"D footprint provide easy mobility into the tightest of spaces. Flexible dividers and a locking security door protect devices. The SE30 cart is made with heavy-gauge steel and powder-coated for a durable, long-lasting finish.



## Features and Benefits

- Stores, charges, and transports up to 30 devices (most Chromebooks, tablets\*, and notebooks up to 14" diagonal)
  - For most devices under 45W
  - 1.26"W x 15.84"D x 11.75"H storage bay
  - Small cart footprint (24"W x 22"D) saves valuable space
  - Durable ABS plastic dividers protect devices from scratching (dividers are removable to provide additional space for thicker devices)
  - Door features a locking single-point steel lock for security
  - Devices and students are separated from AC line voltage
  - Superior overhead cord management system keeps charge cords organized and routed to each bay
  - Optional Quickbrick trays store adapters and reduces cable clutter
- 
- Two (125V~/12A, 60Hz) power strips with 15 outlets support most AC adapters
  - Internal power switch(es) provides easy-access for safe power connection / disconnection
  - Cart is available prewired with USB-C PD chargers
  - Optional large removable QuickBrick™ wiring trays with retaining straps for inline charge adapters allow wiring to be completed outside the cart at the comfort of a workstation or desk to provide quick and easy integration
  - Ventilated door and side panels keep devices and chargers cool, preventing overheating, and extending device life
  - 15' nominal 14 AWG, 3-wire power cords provide easy power access
- 
- Four inboard 5" balloon wheel plate casters (two locking, two non-locking) with metal construction and non-marring rubber provide easy rolling, and quiet transport (rated for 300 lb each)
  - Integrated handle provides control and maneuverability
- 
- Cart ships fully-assembled for quick, simple integration and deployment
  - Durable powder coated steel chassis provides a long-lasting finish
  - ETL listed in US and Canada for cart and electrical
  - Warranted to be free of all defects in materials and workmanship for 10 years, electrical system 2 years
  - Designed and assembled in Chippewa Falls, WI, USA

55551 - SE30 Cart

55551-USBC - SE30 Cart with USB-C PD charging (prewired)

Color Options



Black  
Metal

# Construction

- 20-gauge top panel
- 20-gauge door, side panels, and base
- All metal components are finished with a scratch-resistant powder coat epoxy
- ABS plastic dividers
- Cart is factory-assembled, packaged, and shipped on its own skid

Note: Do not place items weighing more than 50 lb [22.7 kg] on the top surface. Please remove or secure items before moving cart.

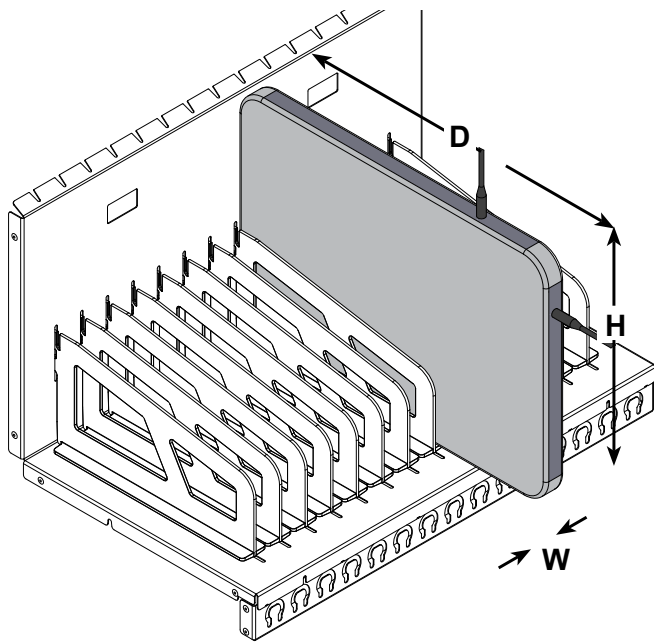
# Specifications

Capacity	30 devices. (Most Chromebooks, tablets*, or notebooks)	
Storage bays (nominal)	1.26"W [3.2 cm] x 15.84"D [40.23 cm] x 11.75"H [29.85 cm]	
Electrical	<ul style="list-style-type: none"> <li>• (2) 15-outlet power strips</li> <li>• 125V~/12A, 60Hz</li> <li>• 15-amp breaker</li> </ul>	<ul style="list-style-type: none"> <li>• 15' nominal [366 cm], 14 AWG, 3-wire power cords</li> <li>• Mid panel isolates and separates electrical line voltage from students</li> </ul>
5" Balloon Wheels	Weight capacity 300 lb [136.2 kg] each (two locking, two non-locking)	
Certifications / Compliance	<ul style="list-style-type: none"> <li>• ETL listed in US and Canada Cart (62368-1), Power strips (962A)</li> </ul>	<ul style="list-style-type: none"> <li>• Meets or exceeds applicable ANSI-BIFMA test standards</li> </ul>
Unit weight (nominal)	93 lb [42.2 kg]	
Shipping weight (nominal)	110 lb [50 kg]	

*Specifications subject to change without notice*

Storage bays

Devices must be placed in the bays with the charge plug on one of the two exposed edges shown.



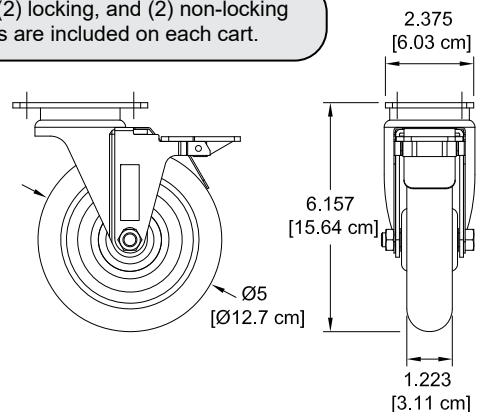
USB-C PD Charger  
(USB-C PD prewired cart only)



- Specifications:
- Model: HA712
  - Input: 100-240V ~ 50/60Hz 1.5A
  - Output (USB-C PD): 5V~3A, 9V~3A, 12V~3A, 15V~3A, 20V~3.25A
  - Dimensions: 1.97" x 1.97" x 1.10" (50mm x 50mm x 28mm)
  - Net Weight: 3.42 oz [97 g]

5" Balloon Wheel

Note: (2) locking, and (2) non-locking casters are included on each cart.

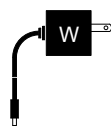


Total watts required per cart (estimated)  
(Max 1,800W)



Number of devices

X

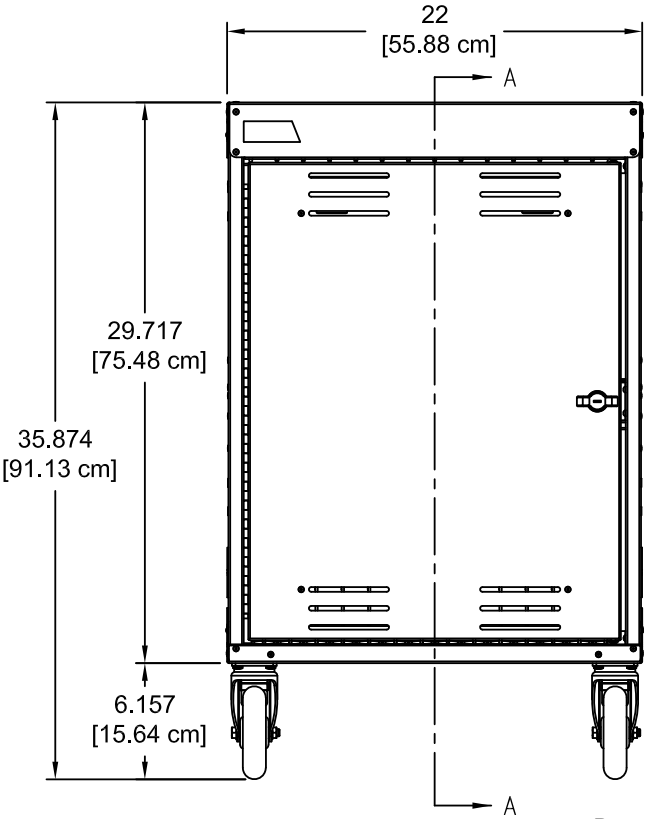
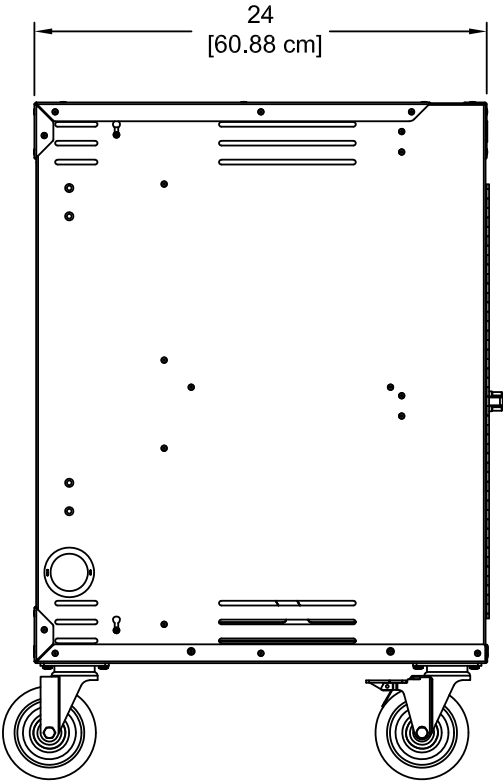
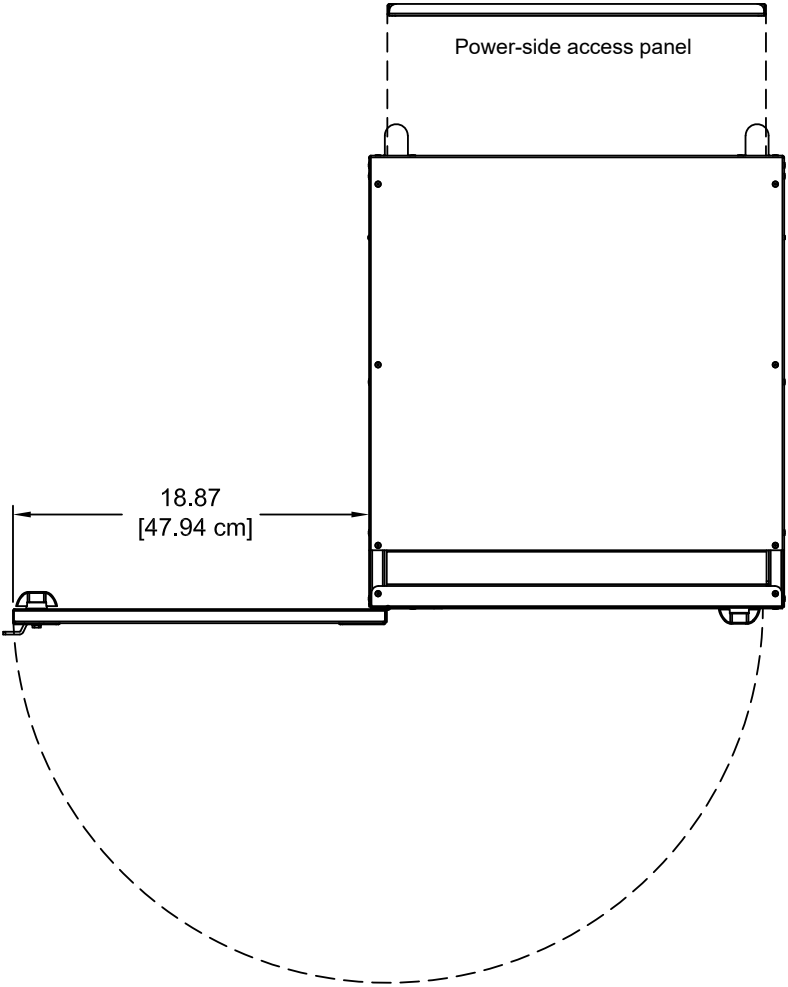
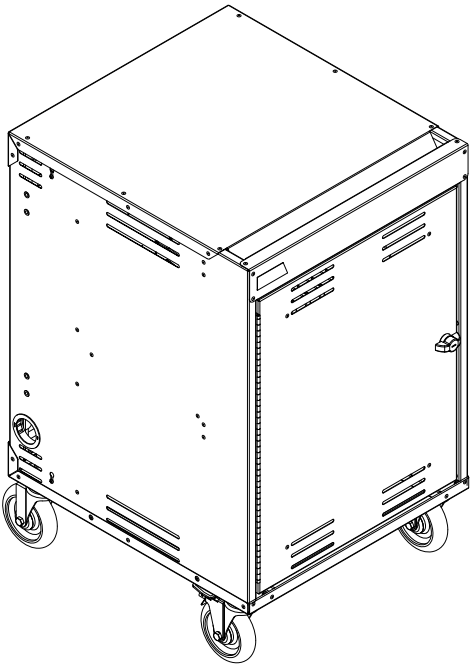


Charger wattage  
(For most devices under 45W)



Note: The customer should be aware of the amp draw of the devices used with this cart-especially when maxing out the storage and charging capacity. Exceeding 15 amps will trip the circuit breaker. Please consult the owners manual of your specific device for power consumption information.

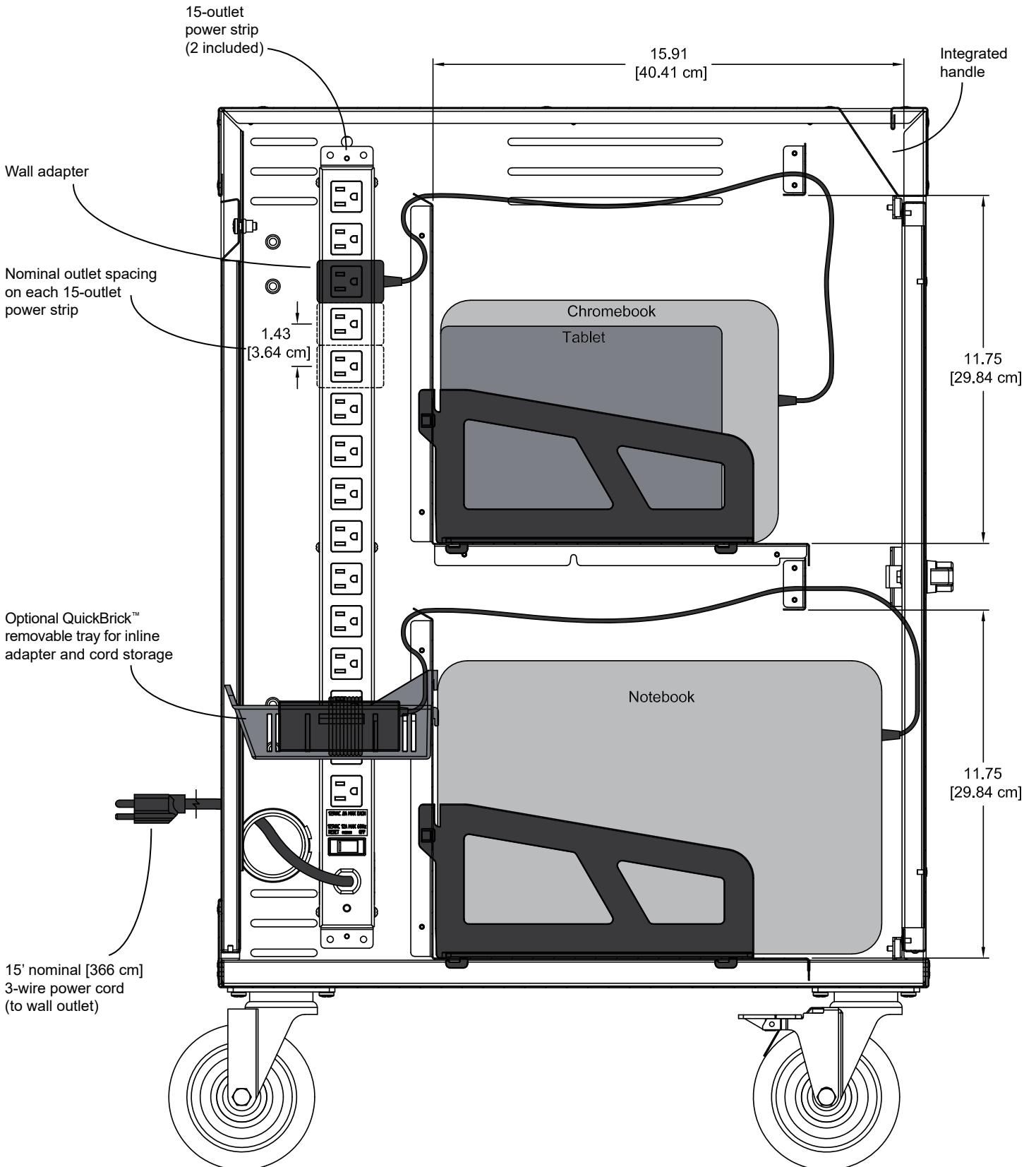
SE30 Cart



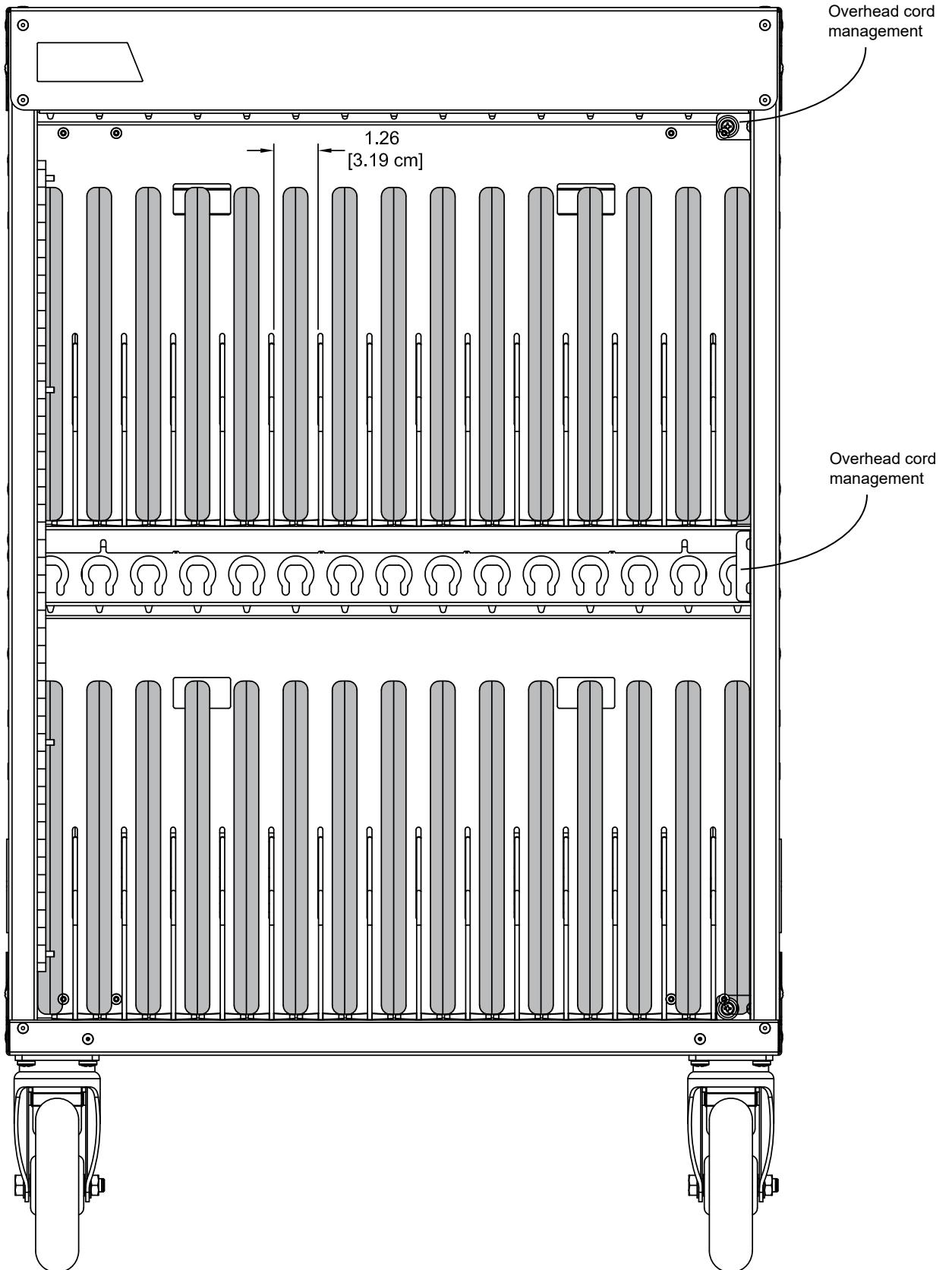
SE30  
Section view A-A

Power side

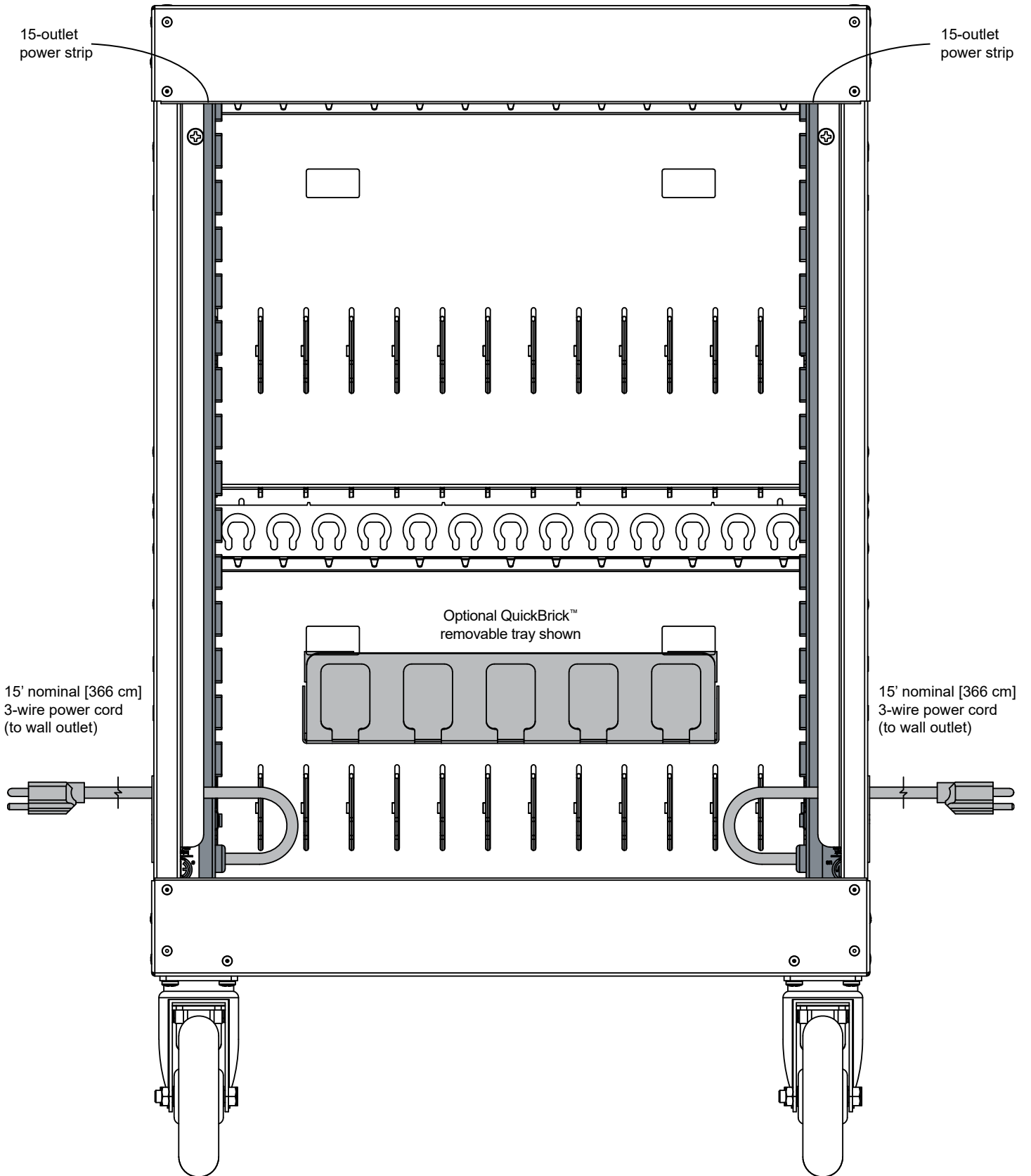
Device side



SE30  
Device-side  
(shown without door for clarity)



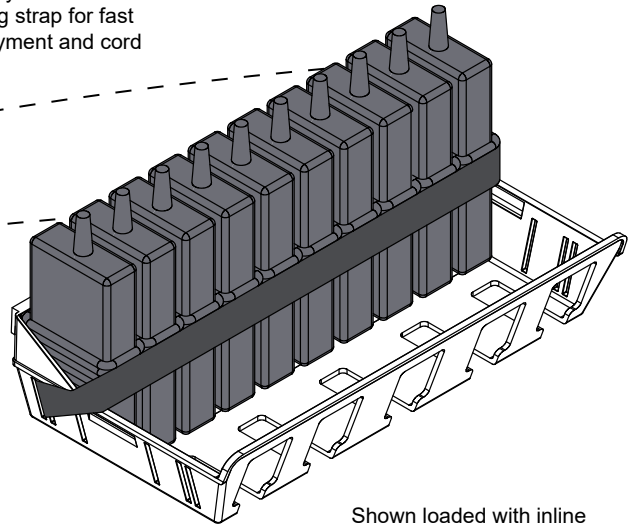
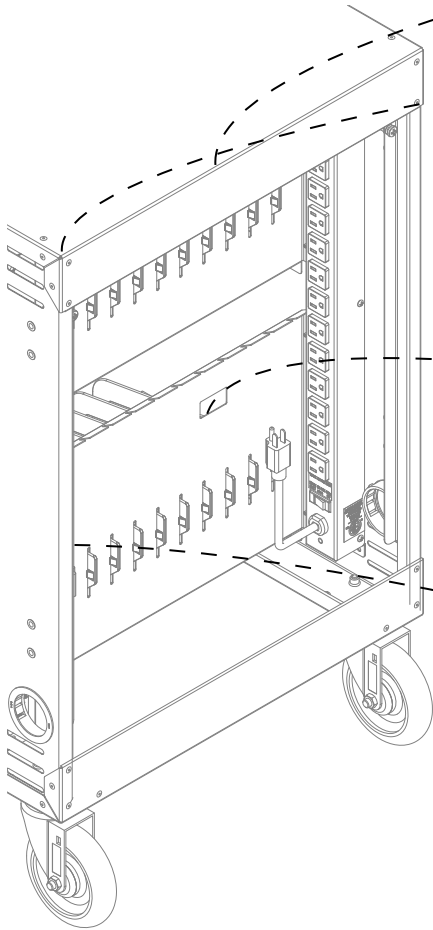
SE30  
Power-side  
(shown with access panel removed)



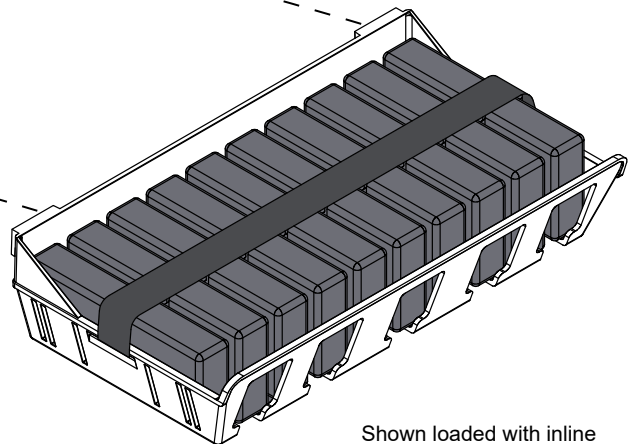
# Accessories

## QuickBrick™ Removable Tray Kit - 95035

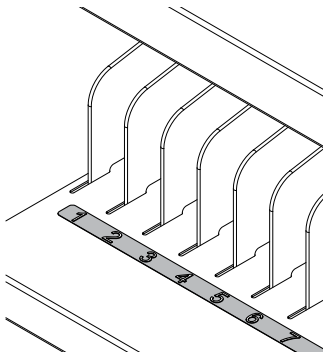
- Used to store inline charge adapters and cords
- Includes (2) large QuickBrick trays
- Includes hook and loop retaining strap for fast and easy wiring for quick deployment and cord storage.



Shown loaded with inline adapters in vertical position



Shown loaded with inline adapters in horizontal position



## Slot labels for SE30 - 55476

- Black numbers on transparent adhesive backer
- 1-15 label, 16-30 label



## Hook-and-loop Strap Kit - 95004

(16) .75" [1.91 cm] x 12" [30.48 cm],  
and (32) .75" [1.91 cm] x 5" [12.7 cm]

See [spectrumfurniture.com](https://www.spectrumfurniture.com) for the latest accessories and detailed warranty information.

## Warranty

### **We will make it right for you!**

Thanks for choosing Spectrum! Spectrum is committed to provide complete customer satisfaction. Each of our products is manufactured from the best materials available and each product is stringently monitored throughout the production process through our P.A.C.E. program (Product Assurance to meet Customer Expectations).

We expressly warrant that Spectrum products will be of good quality and workmanship and free from defect for the period set out in the warranty from the date of delivery.

**For a listing of all product specific warranty terms please visit our website at:**

<https://www.spectrumfurniture.com/en/resources/purchasing-terms-warranty>

**1-800-235-1262**

Toll-free HELPLINE

**[spectrum@spectrumfurniture.com](mailto:spectrum@spectrumfurniture.com)**