

Assembly Instructions

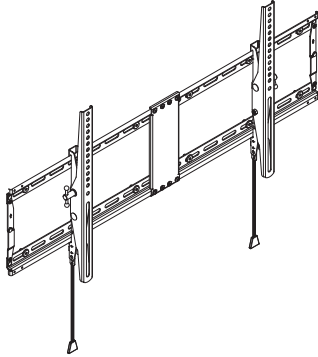
⚠ Important ⚠

Before you begin, read and comply with all safety and operating instructions, and ensure all parts and correct quantities are included.

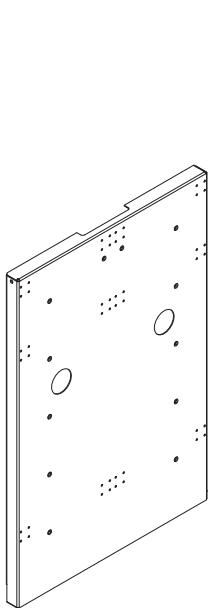
Any parts damaged during shipment must be reported within 5 days of receipt. To report information regarding missing parts or damage, to purchase parts or accessories, or if you have any questions, please contact us.

www.spectrumfurniture.com
800-235-1262, 715-723-6750

Thank you for purchasing Spectrum products!



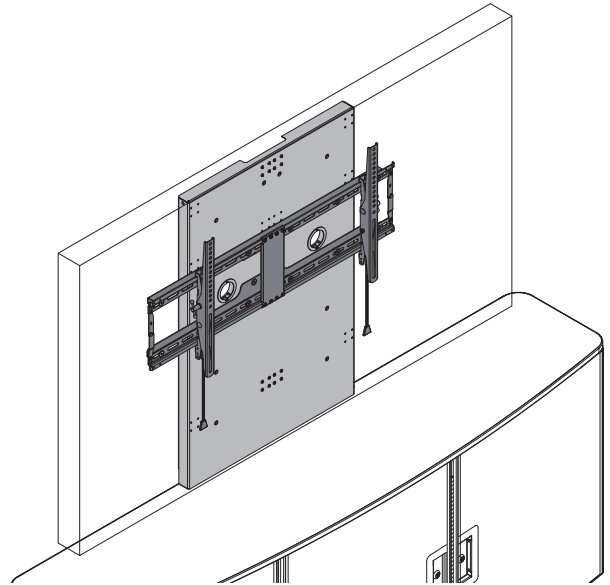
(1) 0193628
VESA mount



(1) 0145893
Display Stand



(2) 0146027
Upright bar



Display Stand for AV Credenzas 55498



Assembly tip: Do not tighten component fasteners completely until all have been installed. Keeping them loose will help with alignment between parts during assembly.



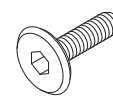
(3) 021587
8-32 x 1/2" PHMS



(32) 0100167
8-32 x 1/2" PH thrd cutting screws



(3) 021588
8-32 Keps nut



(2) 059534
1/4-20 x 30mm
JC bolt



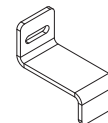
(2) 026436
#8 x 1-1/4" PHSM
screw



(4) 052605
1/4-20 x 15mm
JC bolts



(2) 059984
2" Grommet



(2) 0148399
Wall bracket



(2) 0119468
Recessed bumper
w/ 1/4" washer

Note: See p.2-3 for your specific credenza to determine upright bar installation procedure (together or apart).

1. Install upright bars together - AV Credenza or AV Credenza Slim

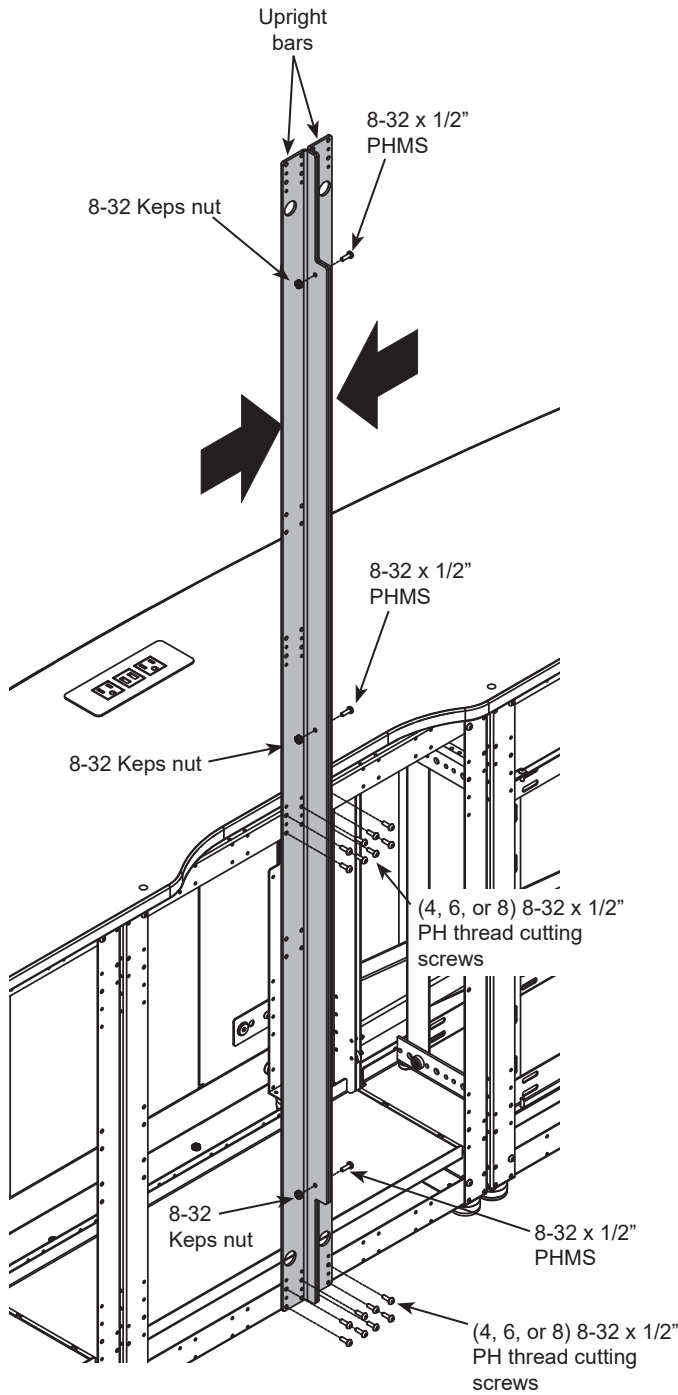


Figure 1.1

1. Attach the (2) upright bars together with (3) 8-32 x 1/2" PHM screws and (3) 8-32 Keps nuts. **Figure 1.1.**
2. Attach the upright bars to the credenza with 8-32 x 1/2" PH thread-cutting screws.

Note: (4, 6, or 8) 8-32 x 1/2" PHM screws may be used at each upright bar attachment point depending on bay configuration (1, 2, or 3-bay). Be sure a minimum of (4) are used at each location.



Two-bay AV Credenza with single display

2-Bay Credenzas only:

Note: If installing the stand onto a 2-bay credenza, it will be necessary to remove the (4) screws shown from the credenza frames before installing the upright bars. **Figure 1.2.**

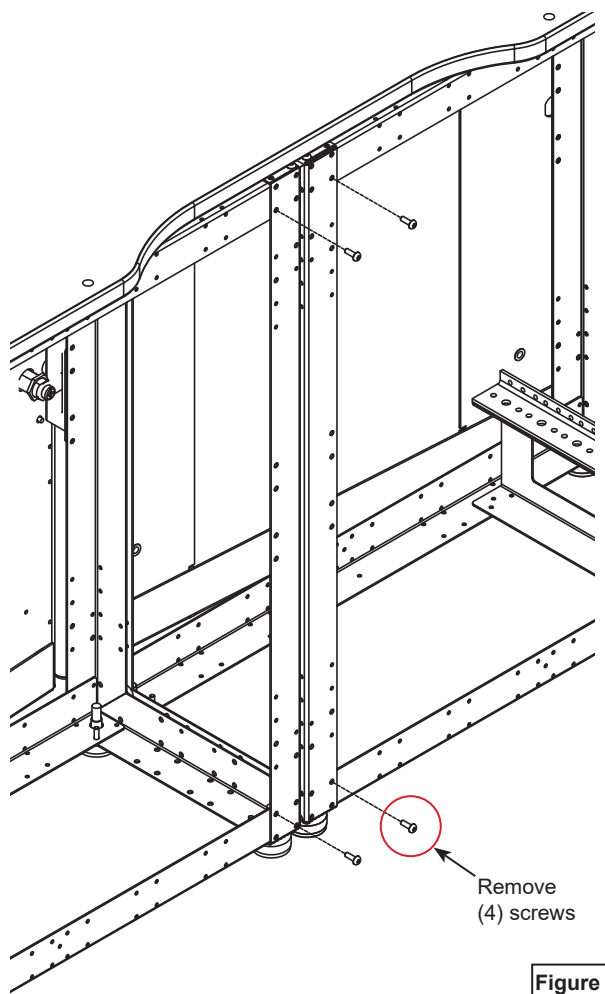


Figure 1.2

1. Install upright bars apart - AV Credenza or AV Credenza Slim

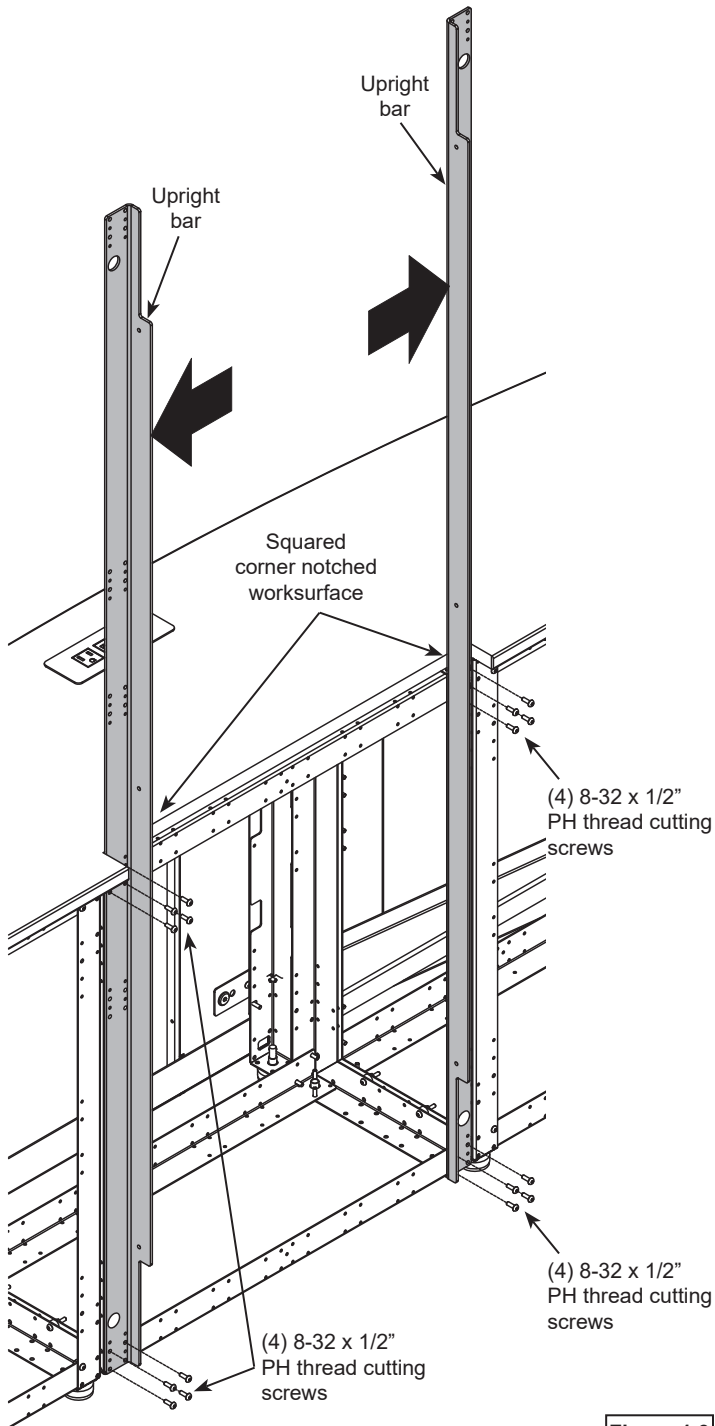
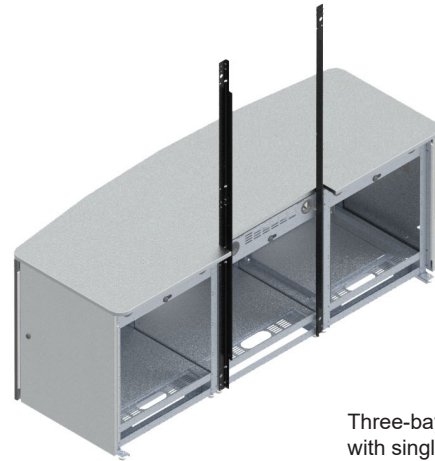
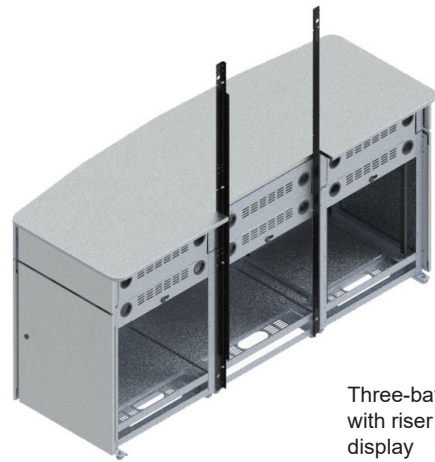


Figure 1.3



Three-bay AV Credenza with single display



Three-bay AV Credenza with riser and single display



Three-bay AV Credenza with two single displays

1. Attach the upright bars (apart) to the credenza with 8-32 x 1/2" PH thread-cutting screws. **Figure 1.3.**

2. Install bumpers & grommets

1. Install the (2) recessed bumpers into the upper corners of the display stand and tighten securely. **Figure 2.**
2. Install the (2) grommets.

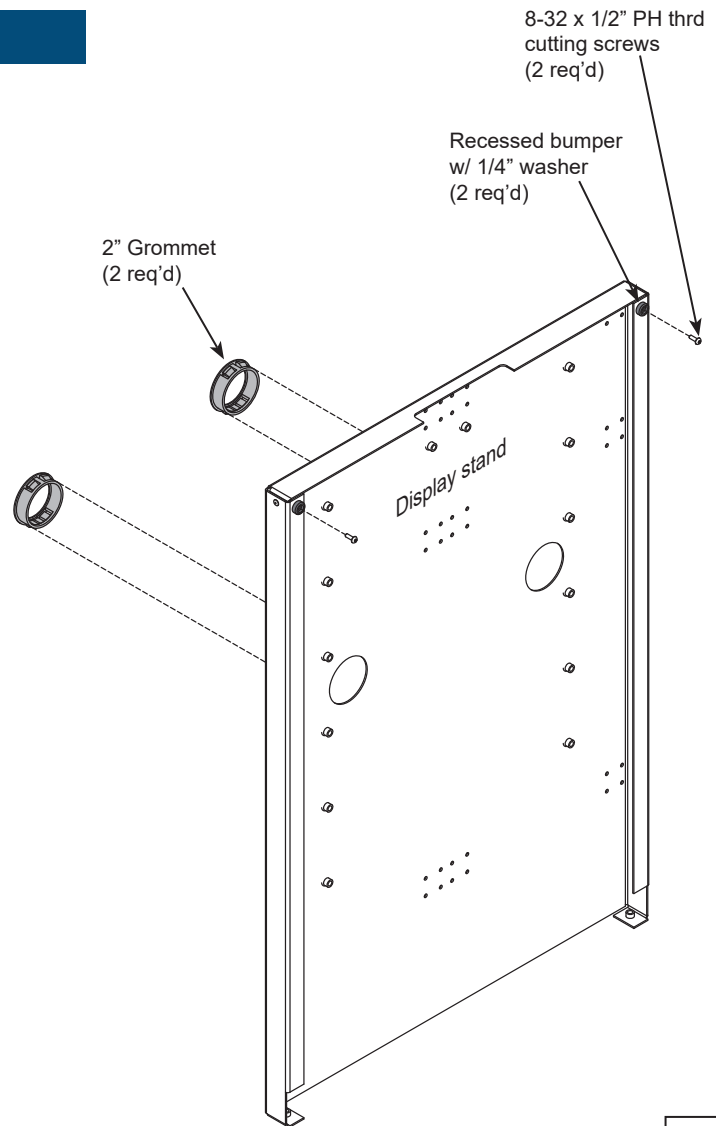


Figure 2

3. Install display stand panel

Upright bars together

1. Attach the display stand panel to the uprights with (16) 8-32 x 1/2" thread-cutting screws. **Figure 3.1.**
2. Secure the stand to the worksurface with (2) 1/4-20 x 30mm JC bolts.

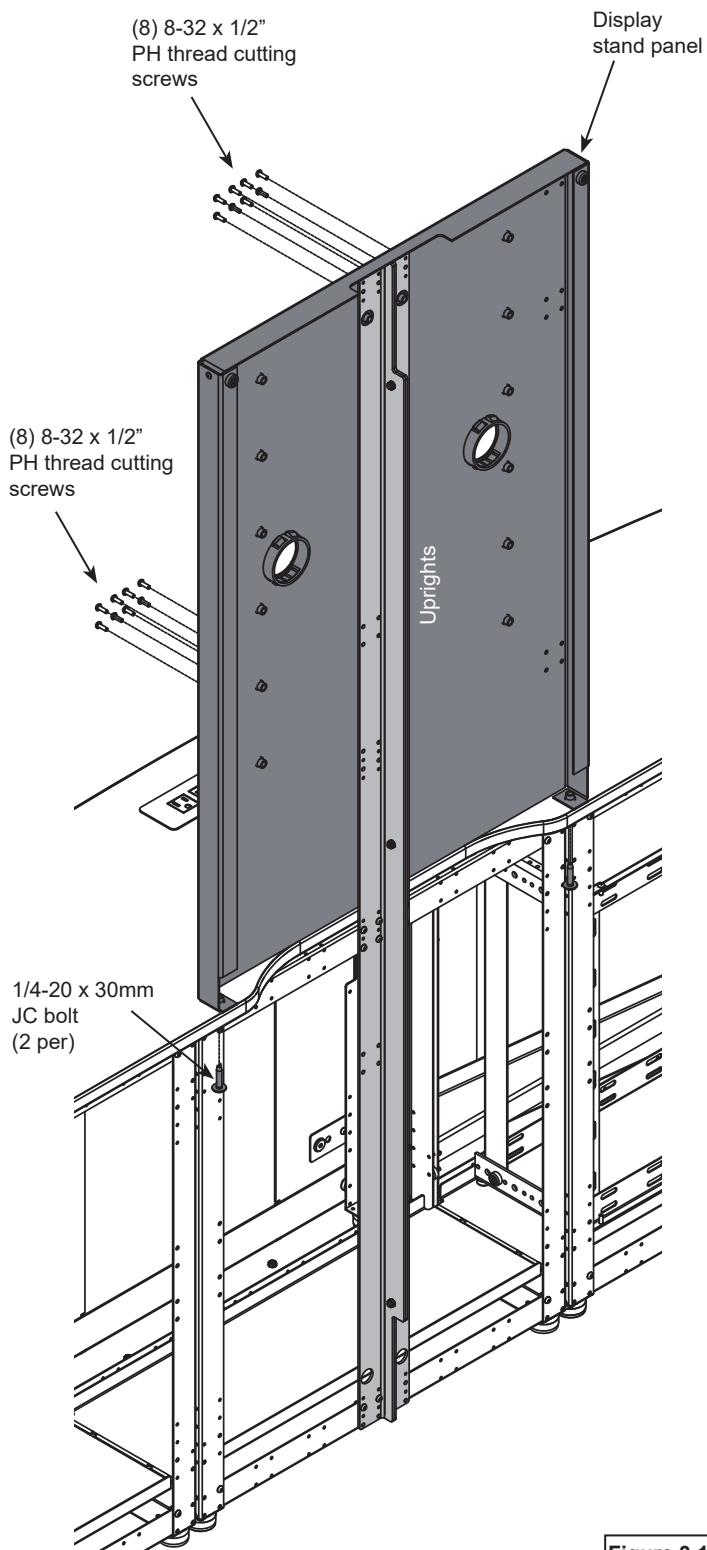


Figure 3.1

Upright bars apart

1. Attach the display stand to the uprights with (16) 8-32 x 1/2" thread-cutting screws. **Figure 3.2**

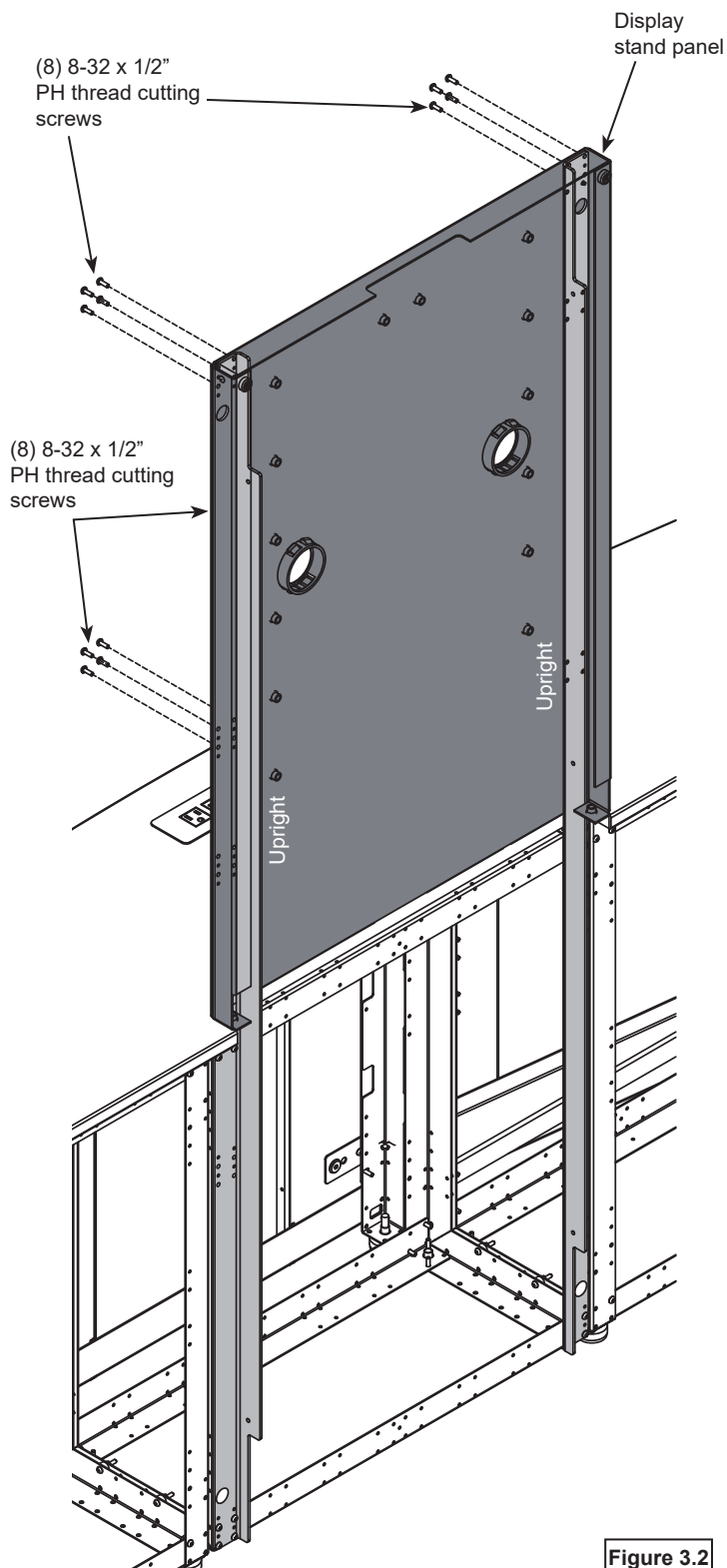
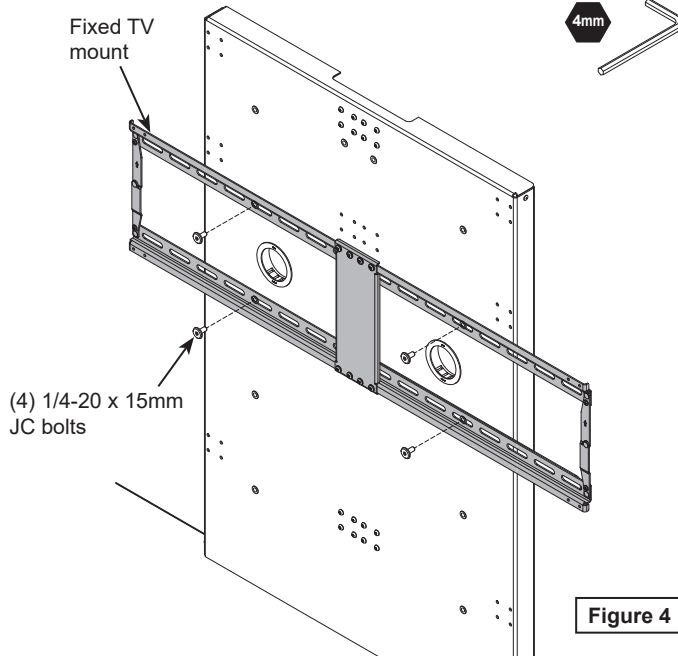


Figure 3.2

4. Install mount & monitor

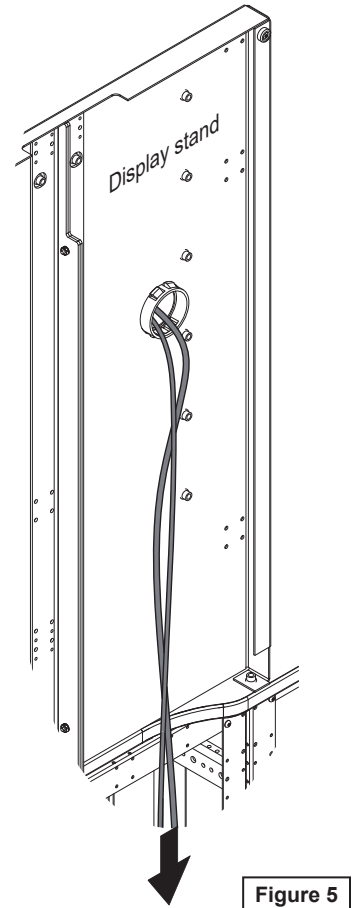


Note: See instructions included with monitor mount for installation and setup.



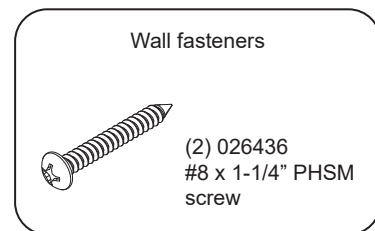
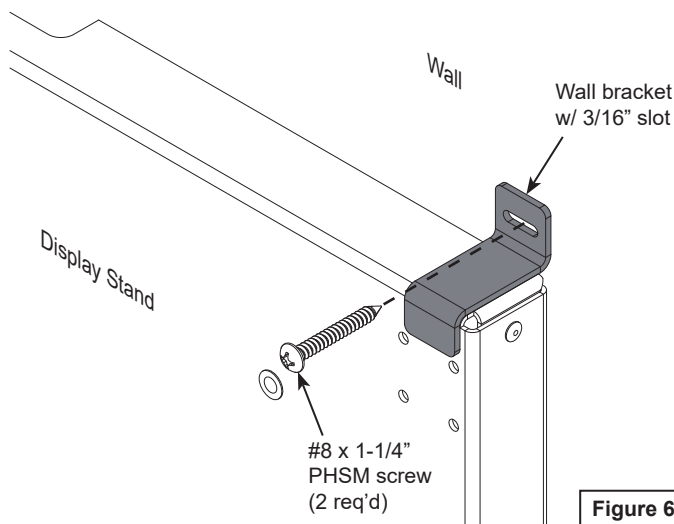
5. Route wires

1. Route monitor wires through the grommets and down into the credenza. **Figure 5.**
2. Secure the stand to the worksurface with (2) 1/4-20 x 30mm JC bolts.



6. Install wall brackets

1. Remove the monitor.
2. Locate wall framing (if wall studs) and center the wall brackets on a stud. The bracket can be installed anywhere along the top edge of the display stand. **Figure 6.**
3. Slide the credenza up to the wall so the wall brackets contact the wall. Make sure the credenza is sitting level on the floor. If not sitting level, the glides can be adjusted to level.
4. Using the brackets as a template, drill suitable holes in the wall for the fasteners.
5. Secure each bracket to the wall with (1) wall fastener.



Note: Display stand must be anchored securely to wall studs or a solid wall. (2) #8 x 1-1/4" PHSM screws are provided for wood use.