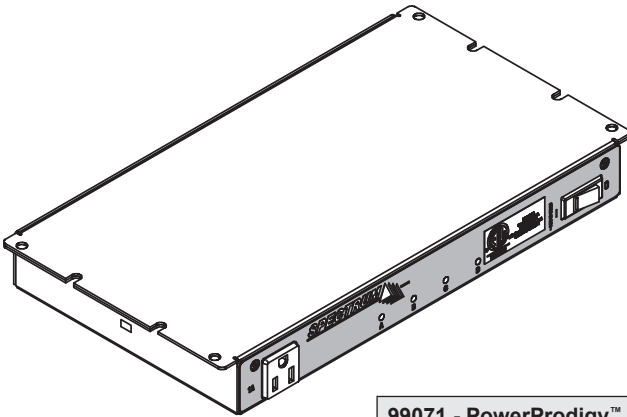
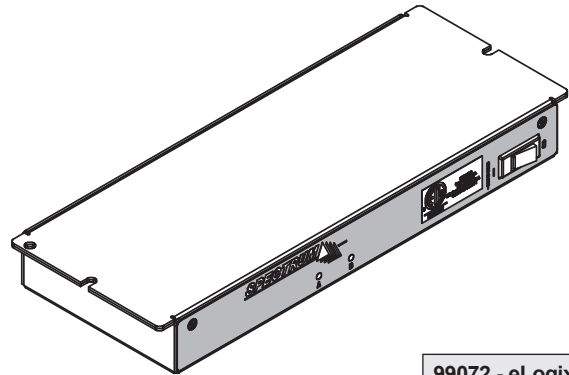


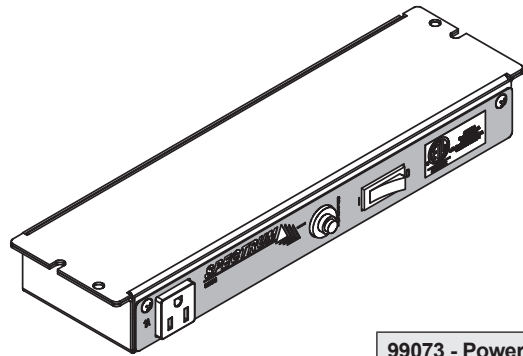
Timer Replacement Instructions



99071 - PowerProdigy™ Timer










99072 - eLogix™ Timer



99073 - Power Switch




Note: There is no need to remove all the devices from the cart to complete this swap. Removing 3-4 computing devices below the timer and unhooking the cables from the cable management bars is all that is required to provide access.

 Installation video available
See www.spectrumfurniture.com


<p> Important </p> <p>Before using this product:</p> <ul style="list-style-type: none"> • Read this manual • Comply with all safety and operating instructions • Ensure all parts and correct quantities are included <p>Any parts damaged during shipment must be reported within 5 days of receipt. To report information regarding missing parts or damage, to purchase parts or accessories, or if you have any questions, please contact us.</p> <p>Thank you for purchasing Spectrum products!</p>	<p> Important </p> <p>Avant d'utiliser ce produit:</p> <ul style="list-style-type: none"> • Veuillez à lire ce guide • Respectez les consignes de sécurité et d'utilisation • Vérifiez que vous disposez de toutes les pièces nécessaires à l'installation <p>Les pièces endommagées pendant le transport doivent faire l'objet d'un rapport dans les 5 jours de leur réception. Veuillez prendre contact avec nous si des pièces manquent ou sont abîmées, si vous avez des questions, ou encore pour acheter des pièces ou des accessoires.</p> <p>Merci pour votre achat d'un produit Spectrum!</p>	<p> Importante </p> <p>Antes de utilizar este producto:</p> <ul style="list-style-type: none"> • Lea este manual • Cumpla con todas las instrucciones de prevención de accidentes y operativas • Revise que todas las partes y las cantidades correctas estén incluidas <p>Si alguna parte se dañó durante el embarque, deberá reportarla en un lapso de 5 días a partir de la recepción. Para reportar cualquier información sobre partes faltantes o dañadas, para adquirirlas o comprar accesorios, o bien, si tiene alguna duda, póngase en contacto con nosotros.</p> <p>¡Gracias por adquirir productos Spectrum!</p>
-----------------------------------------------------------------------------------------------------------------------------------------------------------------------------------------------------------------------------------------------------------------------------------------------------------------------------------------------------------------------------------------------------------------------------------------------------------------------------------------------------------------------------------------------------------------------------------------------------------------------------------------------------------------------------------------------------------------	---------------------------------------------------------------------------------------------------------------------------------------------------------------------------------------------------------------------------------------------------------------------------------------------------------------------------------------------------------------------------------------------------------------------------------------------------------------------------------------------------------------------------------------------------------------------------------------------------------------------------------------------------------------------------------------------------------------------------------------------------------------------------------------------------------------	----------------------------------------------------------------------------------------------------------------------------------------------------------------------------------------------------------------------------------------------------------------------------------------------------------------------------------------------------------------------------------------------------------------------------------------------------------------------------------------------------------------------------------------------------------------------------------------------------------------------------------------------------------------------------------------------------------------------------------------------------------------------------------------------------------------------------------------



<http://www.spectrumfurniture.com>

	<p>Owner's Manual Le manuel du propriétaire El manual del propietario</p>		<p>Specs Spécifications Especificaciones</p>		<p>Video Vidéo Vídeo</p>
-------------------------------------------------------------------------------------	-----------------------------------------------------------------------------------	-------------------------------------------------------------------------------------	------------------------------------------------------	---------------------------------------------------------------------------------------	----------------------------------



 800-235-1262

Timer replacement (slide-in style)

1. Remove existing timer

1. Open cart doors to gain access.
2. Unplug all cords from timer.
3. Pull down on each snap button to release the timer while pulling timer out of the cart. **Figure 1.**

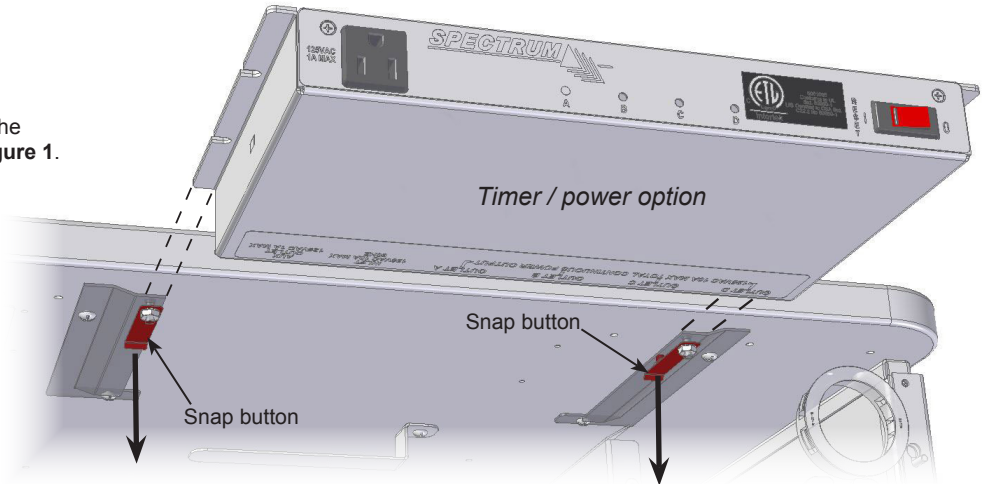


Figure 1

2. Install new timer

1. From outside cart, slide the timer into the slot in the side of cart until 'clicks' are heard. The clicks are the snap buttons locking the timer into place. **Figure 2.**
2. Plug power cords into timer.

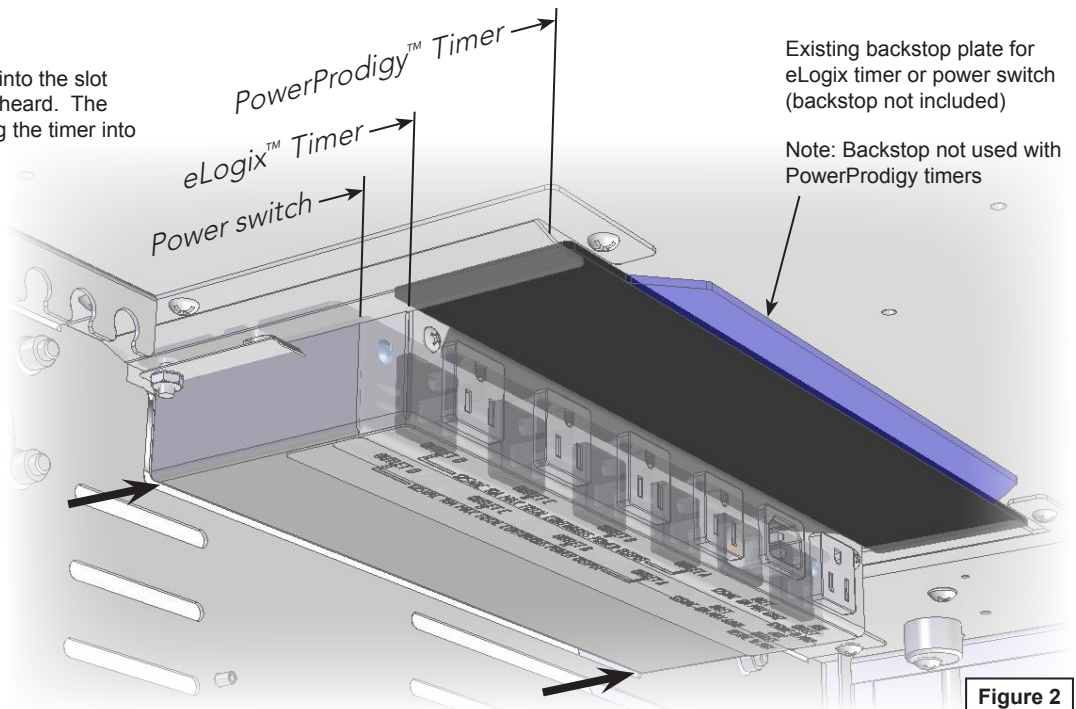


Figure 2

3. Connect cords

1. Plug cords back into timer. **Figure 3.**
2. If your cart has a cord bracket, route the cords over the bracket.

Note: Cord bracket is not included or needed on the Connect30 or Connect18 / 36.

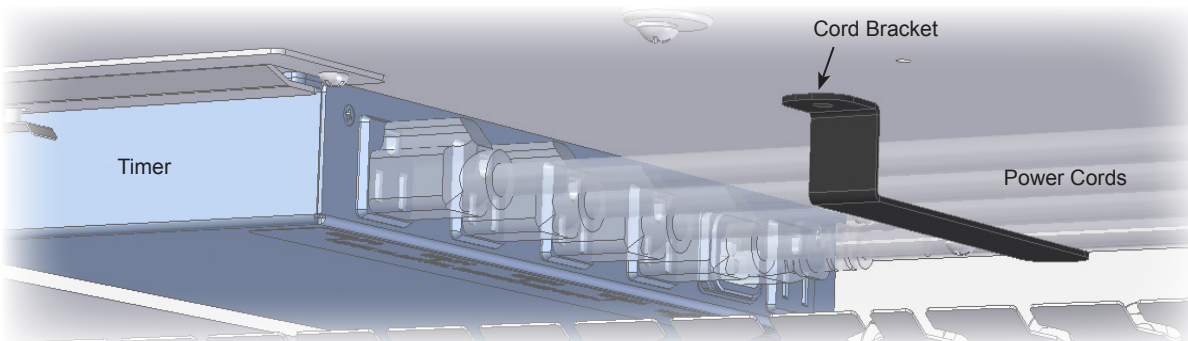


Figure 3

Timer replacement (older screw-mount style)

1. Remove existing timer



1. Open the cart power-side door(s), unplug all cords from timer, and remove the (2) front screws. **Figure 1.1.**

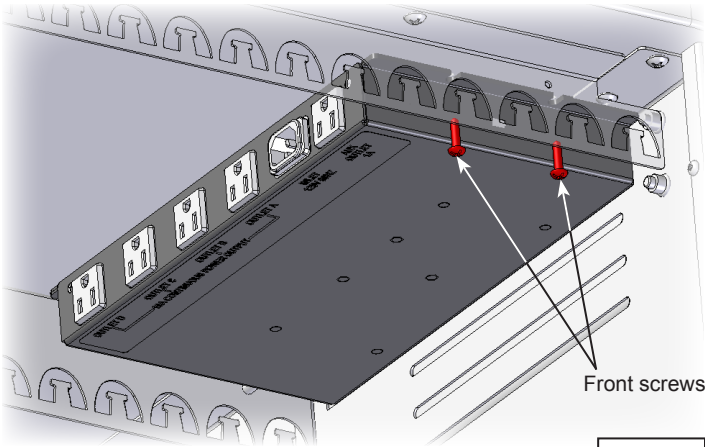


Figure 1.1

2. From outside the cart, push the left-side of the timer in. **Figure 1.2.**

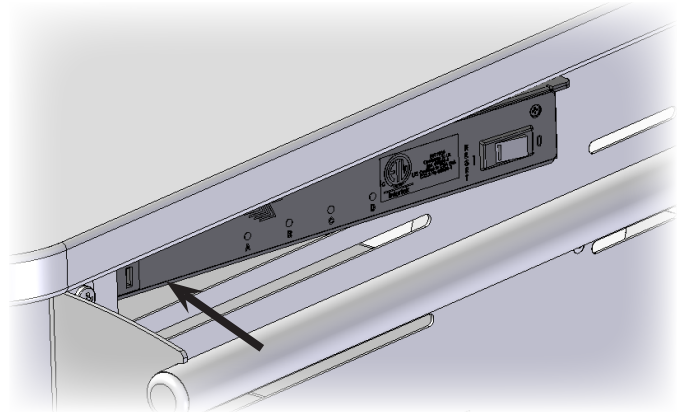


Figure 1.2

3. From inside the cart, pull the timer out. **Figure 1.3.** If the timer is hard to pull out, insert a long flat screwdriver between the timer and cart wall to pry loose.

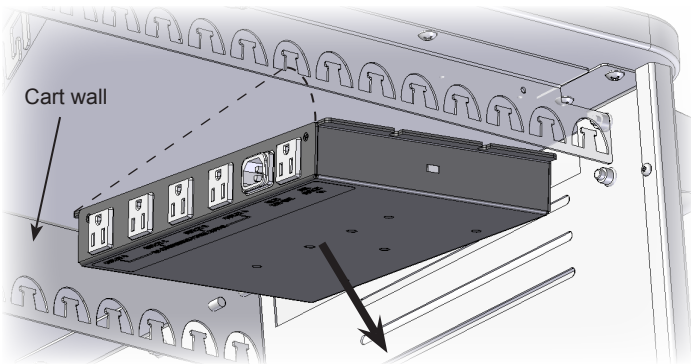


Figure 1.3

4. Loosen the two back screws approximately three turns. **Figure 1.4.**

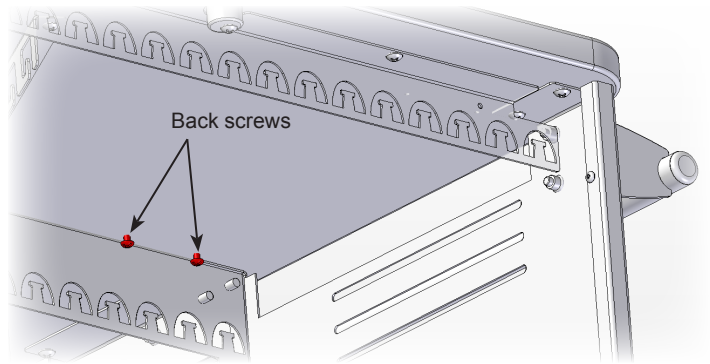


Figure 1.4

2. Install new timer



1. Install new timer onto the back screws. **Figure 2.1.**
2. Install front screws.
3. Tighten all four screws securely.

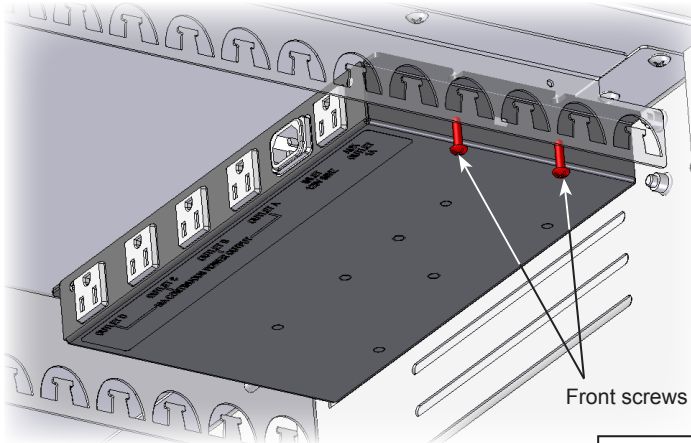


Figure 2.1

3. Connect cords

1. Plug cords back into timer. **Figure 3.1.**

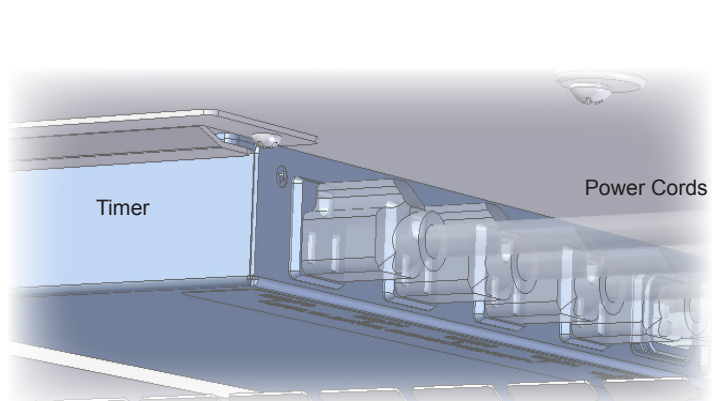
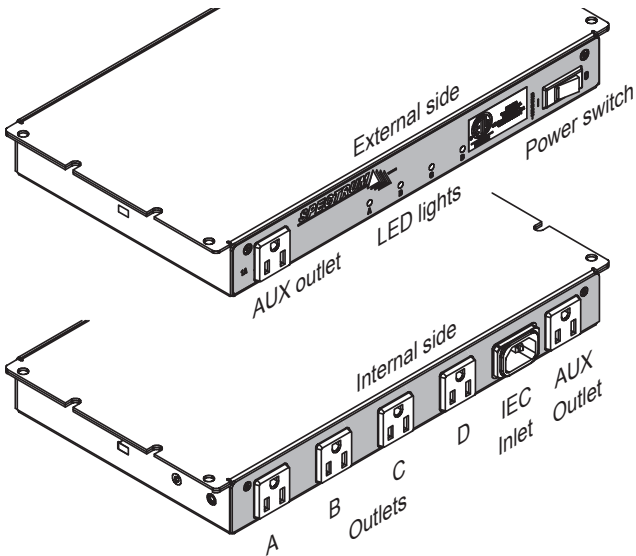


Figure 3.1

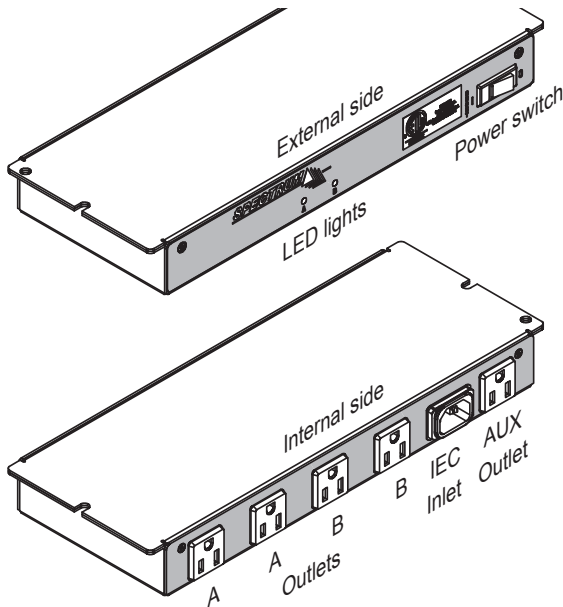


PowerProdigy™ Timer

**Use with higher amp-draw devices.
Maximum charging capacity: 5,760 watts.**

- Smart charging senses current and distributes power to the power units requiring it most
- Four green LED lights indicate charging activity status of each power unit
- Four timed power unit-dedicated outlets (labeled A, B, C, D) controlled by logic board
- Two auxiliary outlets (1 external, 1 internal)
- ETL recognized (certified to 60950-1)

Input:	125V~/12A, 60Hz
Breaker:	15A, 250 VAC
Cycling interval:	15 minutes
Cycling outlets:	4 timed (A, B, C, D) up to 10A
Auxiliary outlets:	1A each (controlled by main power switch)
Power Cord:	IEC quick-release (replaceable) 8' nominal, 14 AWG, 3-wire
Power switch:	15A (externally accessible)

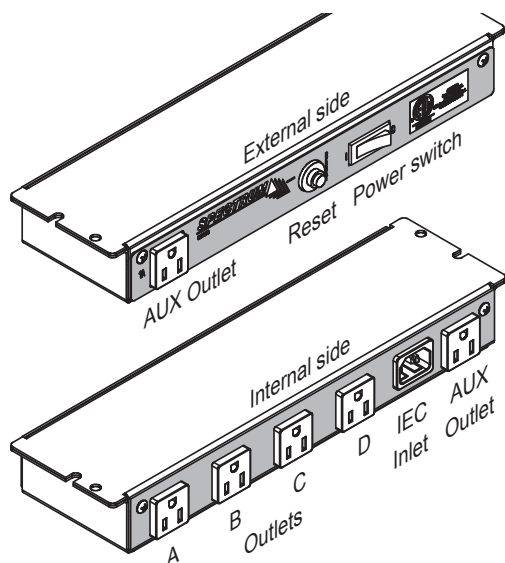


eLogix™ Timer

The eLogix™ timer charges one half of the devices for 15 minutes, then charges the second half of the devices for another 15 minutes. This cycling occurs automatically and is not adjustable. Maximum charging capacity: 2,880 watts.

- Two timed power-unit dedicated outlets (labeled A, B) (up to 10A power output)
- Two green LED lights indicate charging activity status
- One auxiliary outlet (external)
- ETL recognized (certified to 60950-1)

Input:	125V~/12A, 60Hz
Breaker:	15A, 250 VAC
Cycling interval:	15 minutes
Cycling outlets:	4 timed (A, B) up to 10A
Auxiliary outlet:	1A (controlled by main power switch)
Power Cord:	IEC quick-release (replaceable) 8' nominal, 14 AWG, 3-wire
Power switch:	15A (externally accessible)



Power Switch

The Power Switch provides continuous power to all power units. Use with lower amp-draw devices. Maximum charging capacity: 1,440 watts.

- Four continuous power-unit dedicated outlets (labeled A, B, C, D)
- Two auxiliary outlets (1 external, 1 internal)
- ETL recognized (certified to 60950-1)

Input:	125V~/12A, 60Hz
Breaker:	15A, 250 VAC
Outlets:	4 timed (A, B, C, D) up to 10A
Auxiliary outlets:	1A each (controlled by main power switch)
Power Cord:	IEC quick-release (replaceable) 8' nominal, 14 AWG, 3-wire
Power switch:	15A (externally accessible)