

# Assembly Instructions

## ⚠ Important ⚠

Before you begin, read and comply with all safety and operating instructions, and ensure all parts and correct quantities are included.

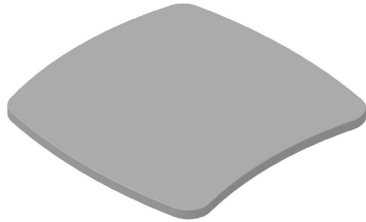
Any parts damaged during shipment must be reported within 5 days of receipt. To report information regarding missing parts or damage, to purchase parts or accessories, or if you have any questions, please contact us.

[www.spectrumfurniture.com](http://www.spectrumfurniture.com)  
800-235-1262, 715-723-6750

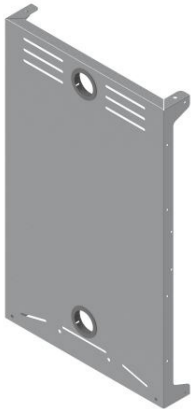
*Thank you for purchasing Spectrum products!*



## Companion Equipment Rack 5559



(1) 0167429  
Worksurface



(2) 0167674  
Side panel



(1) 0169077  
Bottom panel



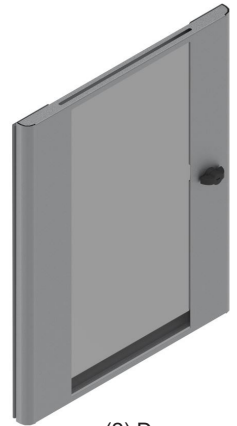
(2) 0167428  
Leg



(2) 0100437  
24.5" Rack Rail



(2) 0167671  
Frame

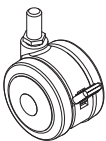


(2) Door assembly  
(one acrylic, one  
laminate panel)



Assembly tip: Do not tighten component fasteners completely until all have been installed. Keeping them loose will help with alignment between parts during assembly.

### Parts Bag



(4) 0190604  
3" Twin wheel locking  
stem caster  
1/2-13 x 1"



(2) 0169174  
Catch



(1) 0119468  
Recessed  
bumper



(48) 0190174  
#8 x 3/8" PHSM



(8) 0106543  
1/4-20 Keps nut



(4) 0101382  
#14 x 7/8" PHSM

## 1 Attach frames to worksurface

1. Place the worksurface face-down onto a non-abrasive surface.
2. Orient and attach each frame to the worksurface as shown with (2) #14 x 7/8" PHSM screws. Note the flanges face inward. **Figure 1.**

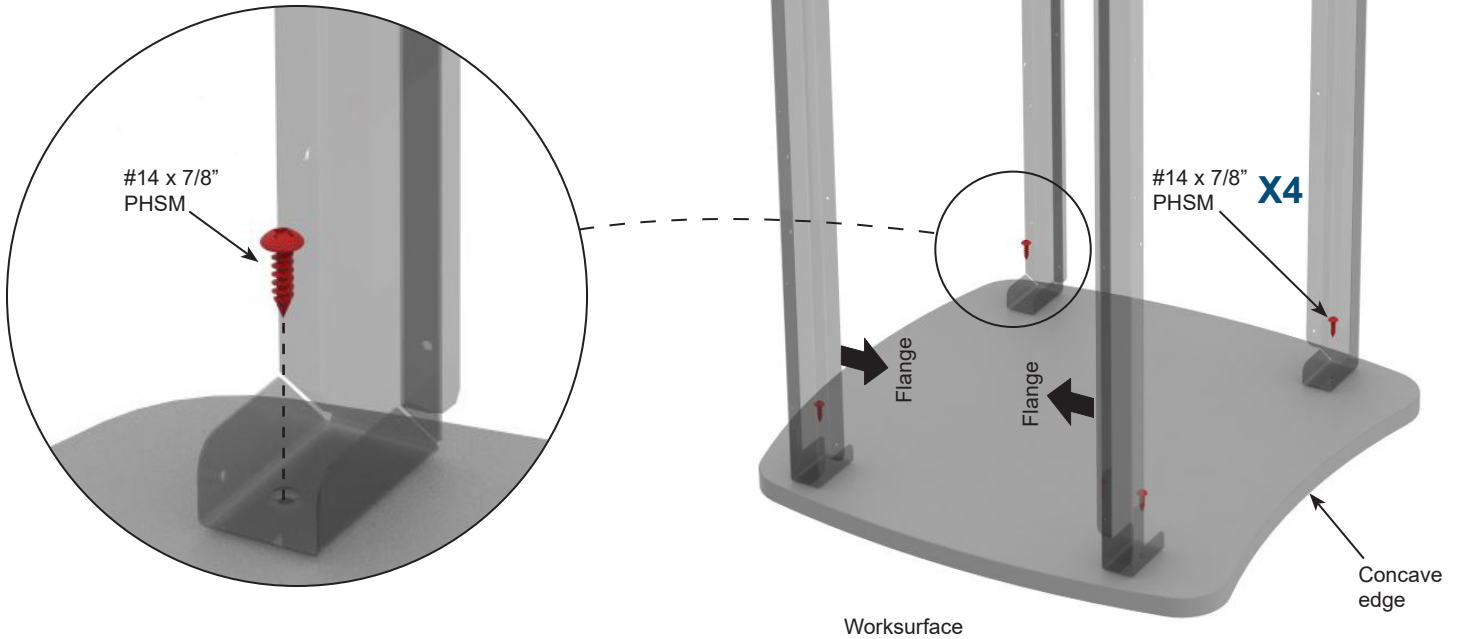


Figure 1

## 2 Attach base panel to frames

1. Align the base panel between the frames and secure with (4) #8 x 3/8" PHSM screws. **Figure 2.**

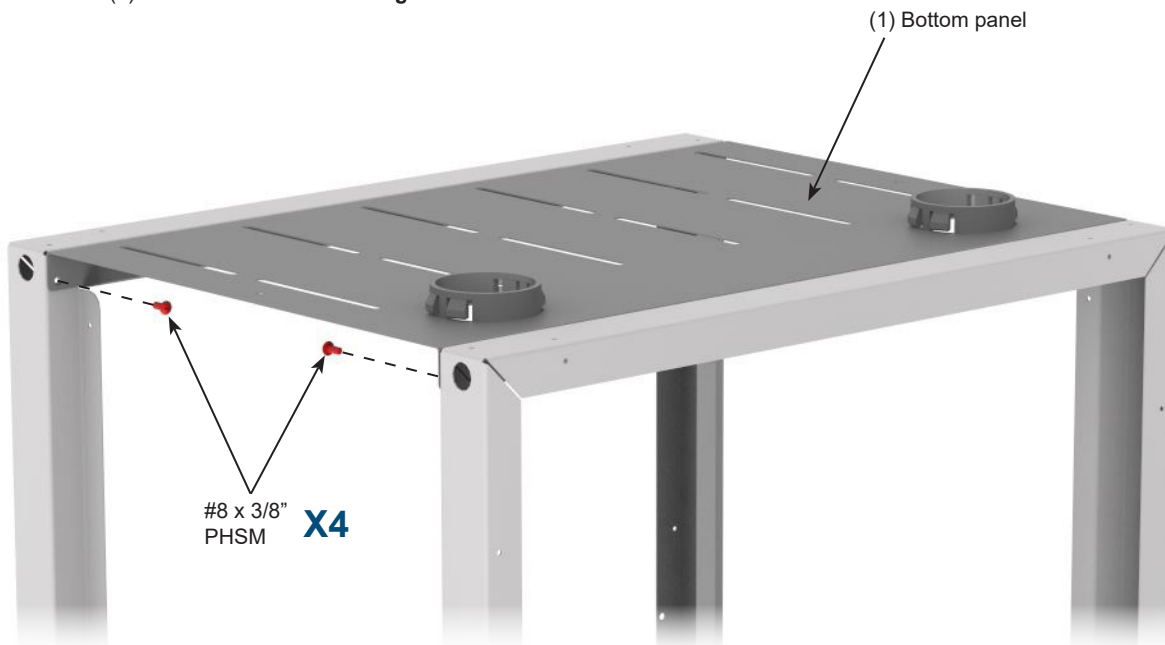


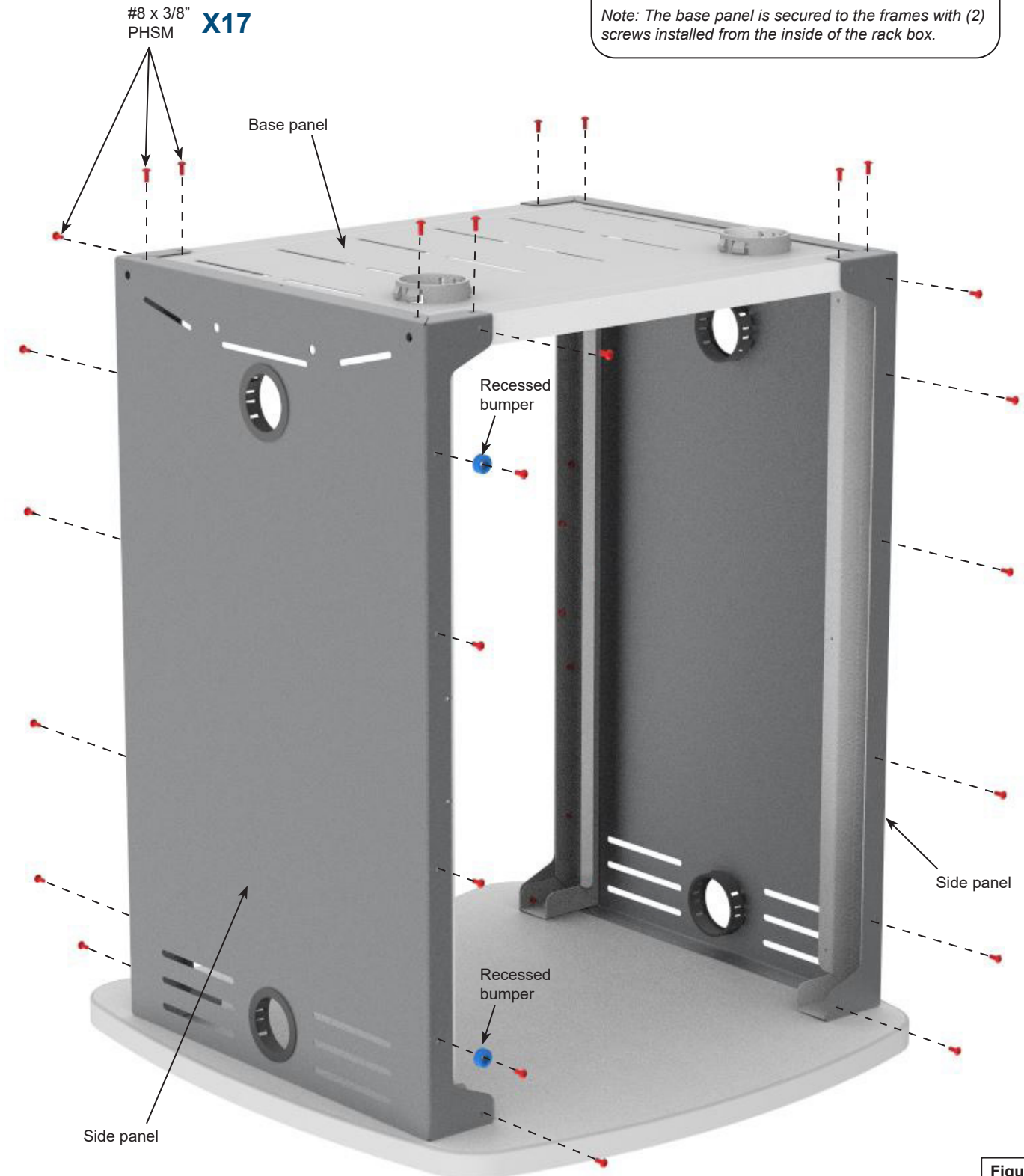
Figure 2

### 3 Attach side panels

1. Align each side panel as shown and secure with (17) #8 x 3/8" PHSM screws. **Figure 3.**
2. Repeat on second side panel.

*Note: Attach (2) recessed bumpers using the upper and lower holes on the right side of the panel as shown.*

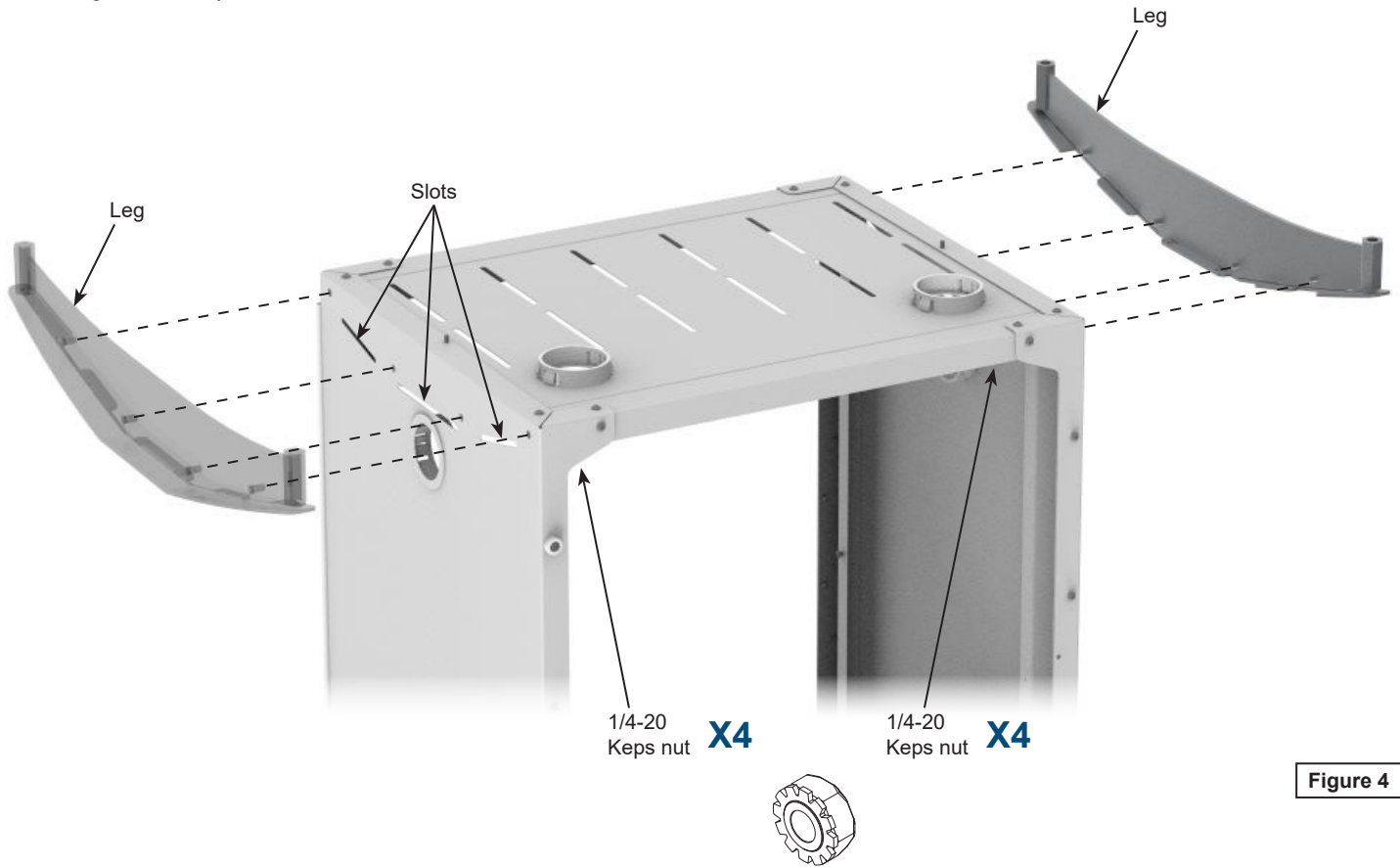
*Note: The base panel is secured to the frames with (2) screws installed from the inside of the rack box.*



**Figure 3**

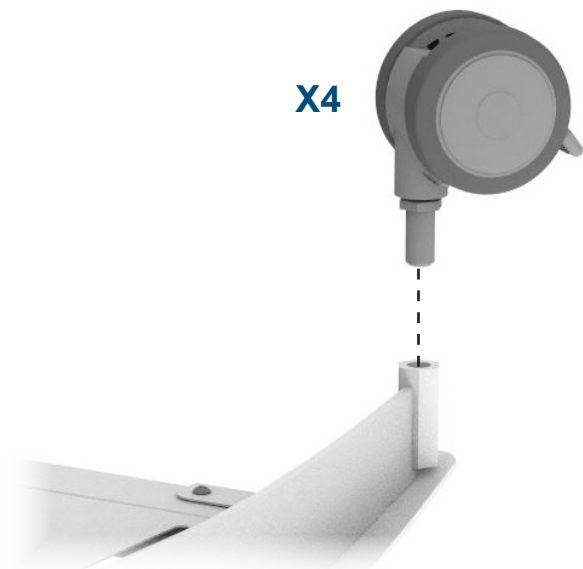
## 4 Attach legs

1. Insert leg tabs into side panel slots. **Figure 4.**
2. Secure each leg with the (4) threaded studs and (4) 1/4-20 Keps nuts and tighten securely.



## 5 Install casters

1. Install (4) casters and tighten securely with wrench. **Figure 5.**



## 6 Flip rack box upright

1. Flip the rack box upright. **Figure 6.**



## 7 Attach rack rails

1. Align the rack rails as shown (short legs facing inward) and attach each to a frame with (3) #8 x 3/8" PHSM screws. **Figure 7.**
2. Tighten securely.

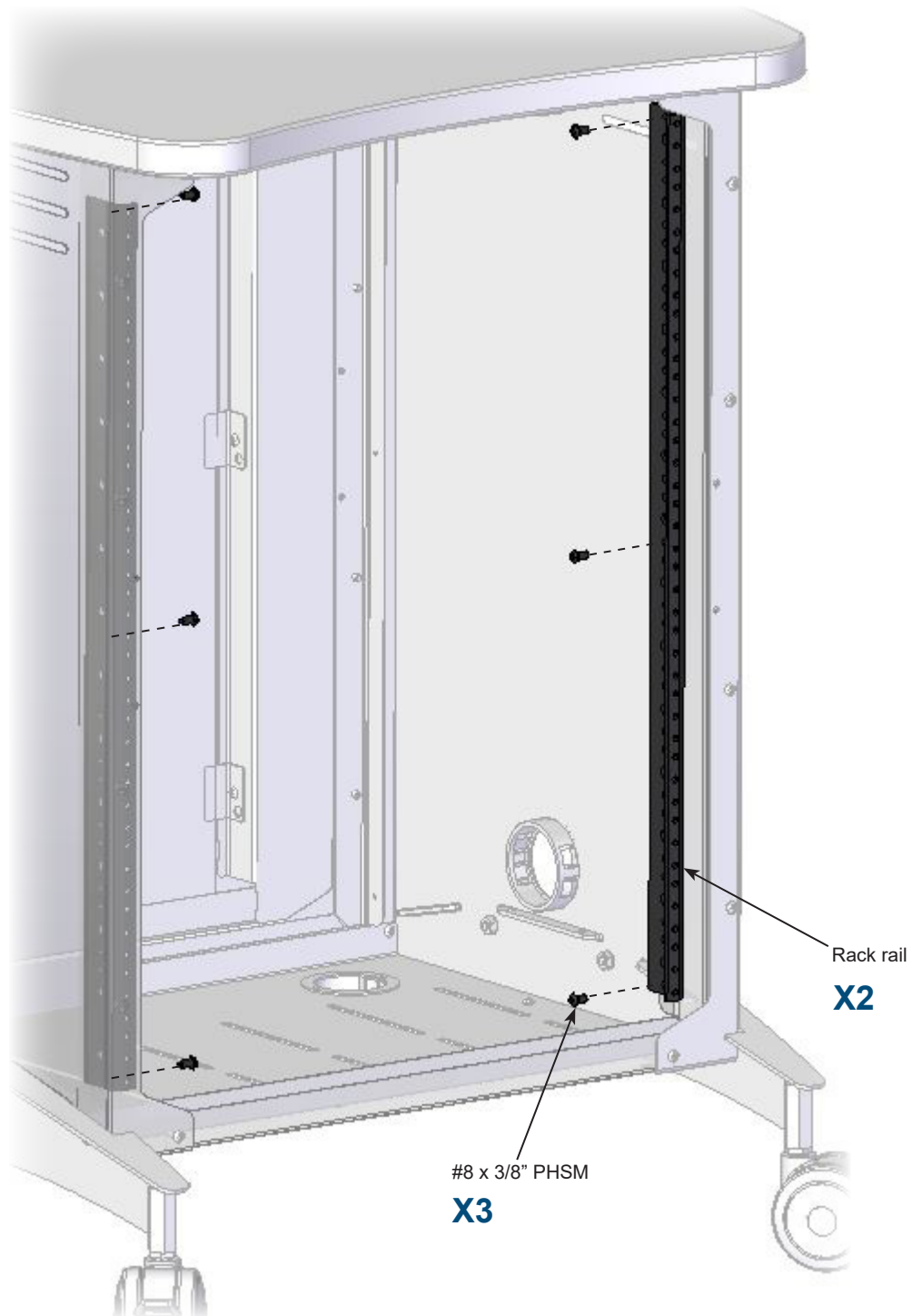


Figure 7

## 8 Attach door catches

1. Attach catch to the right side of the unit with (2) #8 x 3/8" PHSM screws. **Figure 8.**
2. Repeat on opposite side of rack box.

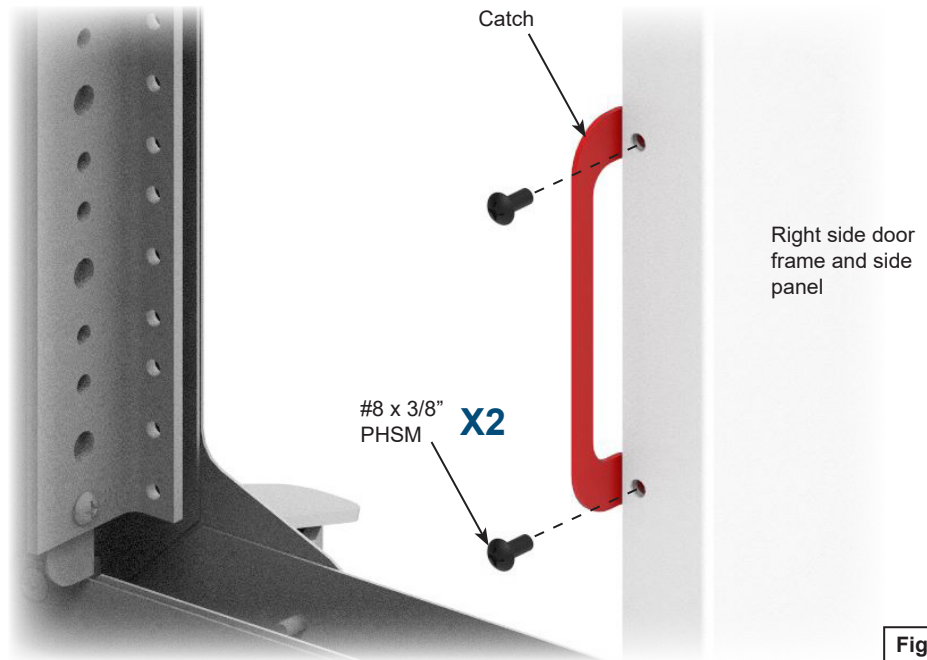


Figure 8

## 9 Attach door assemblies

1. Open hinge of the door assembly 180°. **Figure 9.**
2. Align the hinge mounting holes with the frame and secure with (4) #8 x 3/8" PHSM screws.
3. Repeat on opposite door.

*Note: The acrylic door assembly installs on the instructor-side, and the laminate panel door assembly on the audience-side.*

Acrylic door assembly on instructor side

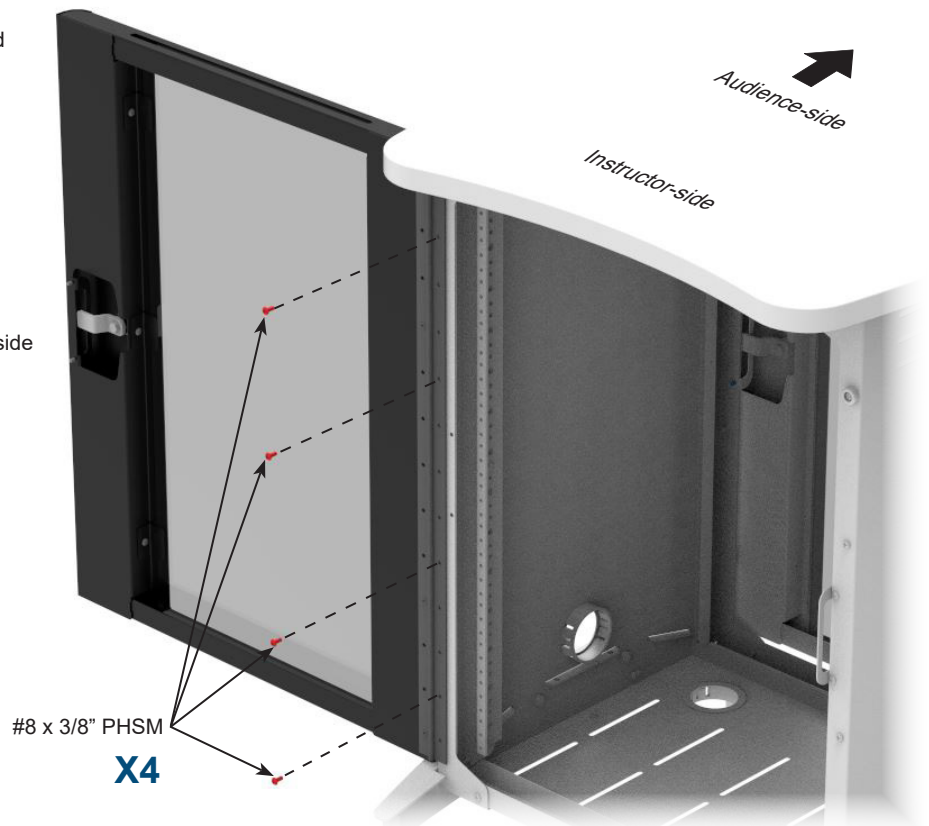


Figure 9