

# Assembly Instructions

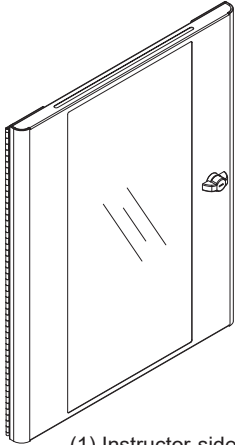
## ⚠ Important ⚠

Before you begin, read and comply with all safety and operating instructions, and ensure all parts and correct quantities are included.

Any parts damaged during shipment must be reported within 5 days of receipt. To report information regarding missing parts or damage, to purchase parts or accessories, or if you have any questions, please contact us.

[www.spectrumfurniture.com](http://www.spectrumfurniture.com)  
800-235-1262, 715-723-6750

Thank you for purchasing Spectrum products!



(1) Instructor-side door assembly



(6) 0190174  
#8 x 3/8" PHSM



(2) 0119468  
Recessed bumpers w/ washer

## Acrylic Instructor-Side Door for Companion Equipment Rack

55560



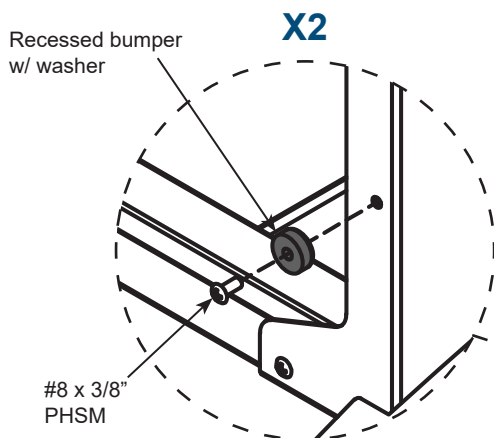
Assembly tip: Do not tighten component fasteners completely until all have been installed. Keeping them loose will help with alignment between parts during assembly.



## Assembly

1. Open hinge and install the door to the left or right-side of the equipment rack with (4) #8 x 3/8" PHSM screws and tighten securely.

2. Using (1) screw each, attach the (2) rubber bumpers to the side panel opposite the hinge.



Instructor-side door assembly

