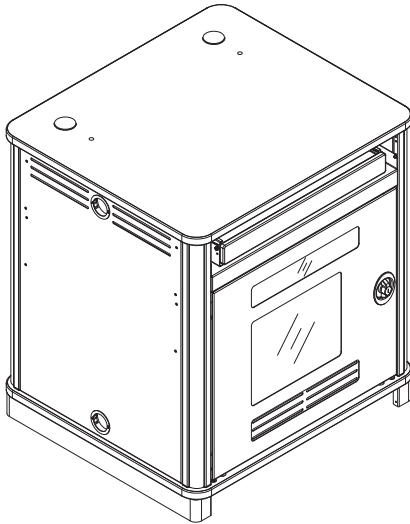


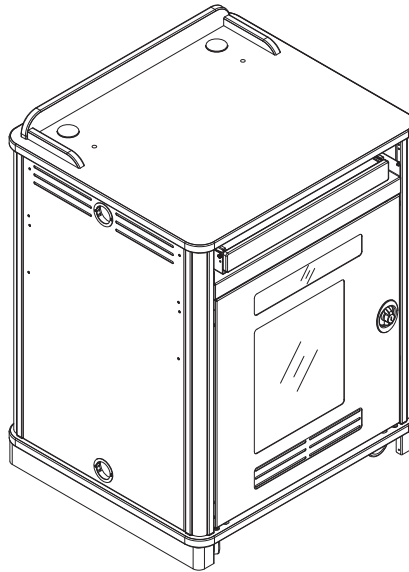
Link Lectern™

55115

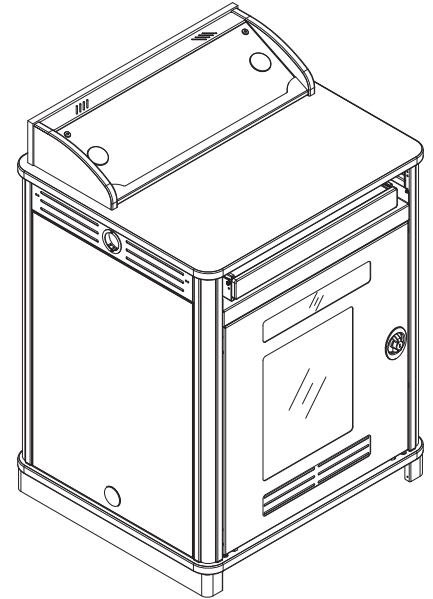
Media Manager Series



36"H shown with plain work surface, metal side panels, instructor-side door and keyboard tray



41"H shown with surround, metal side panels, instructor-side door, and keyboard tray



41"H shown with Overbridge Control Console, laminate side panels, instructor-side door, and keyboard tray



Important

Before using this product:

- Read this manual
- Comply with all safety and operating instructions
- Ensure all parts and correct quantities are included

Any parts damaged during shipment must be reported within 5 days of receipt. To report information regarding missing parts or damage, to purchase parts or accessories, or if you have any questions, please contact us.

Thank you for purchasing Spectrum products!



Important

Avant d'utiliser ce produit:

- Veuillez à lire ce guide
- Respectez les consignes de sécurité et d'utilisation
- Vérifiez que vous disposez de toutes les pièces nécessaires à l'installation

Les pièces endommagées pendant le transport doivent faire l'objet d'un rapport dans les 5 jours de leur réception. Veuillez prendre contact avec nous si des pièces manquent ou sont abîmées, si vous avez des questions, ou encore pour acheter des pièces ou des accessoires.

Merci pour votre achat d'un produit Spectrum!



Importante

Antes de utilizar este producto:

- Lea este manual
- Cumpla con todas las instrucciones de prevención de accidentes y operativas
- Revise que todas las partes y las cantidades correctas estén incluidas

Si alguna parte se dañó durante el embarque, deberá reportarla en un lapso de 5 días a partir de la recepción. Para reportar cualquier información sobre partes faltantes o dañadas, para adquirirlas o comprar accesorios, o bien, si tiene alguna duda, póngase en contacto con nosotros.

¡Gracias por adquirir productos Spectrum!



<http://www.spectrumfurniture.com>



Owner's Manual
Le manuel du propriétaire
El manual del propietario



Specs
Spécifications
Especificaciones

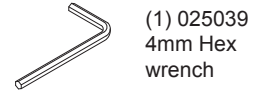
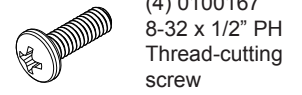
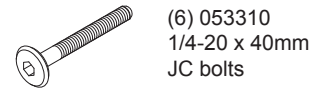
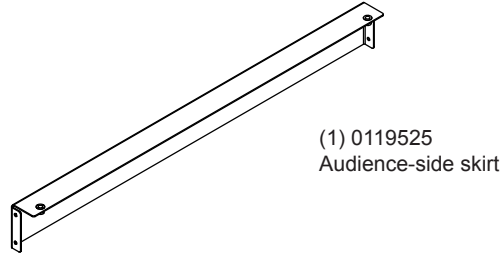
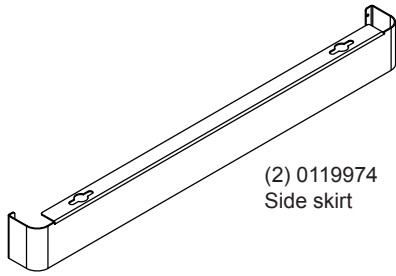


Video
Vidéo
Vídeo

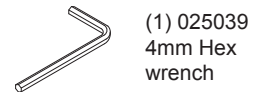
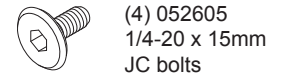
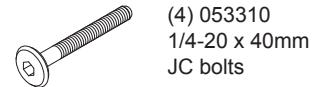
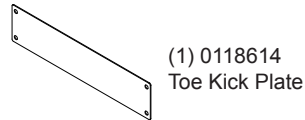
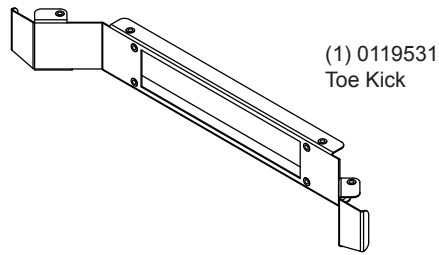
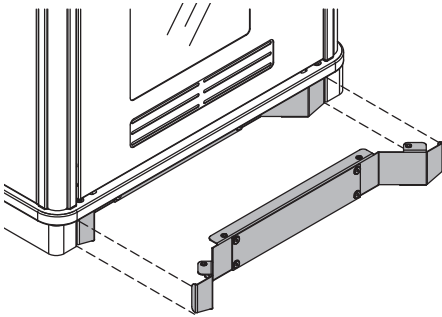


800-235-1262

Hardware



Optional Toe Kick Kit
(included with select configurations)



Note: If the toe kick will be anchored to the floor, (4) fasteners are required that will work with the 1/2" diameter holes on the toe kick. Due to the wide variety of flooring materials and conditions possible, anchor fasteners are not provided.

1. Install 3-piece skirt



1. Attach the two side skirts to the audience-side skirt with (4) 8-32 x 1/2" PH Thread-cutting screws. **Figure 1.1.**
2. Move lectern into position over the assembled skirt as shown. **Figure 1.2.**

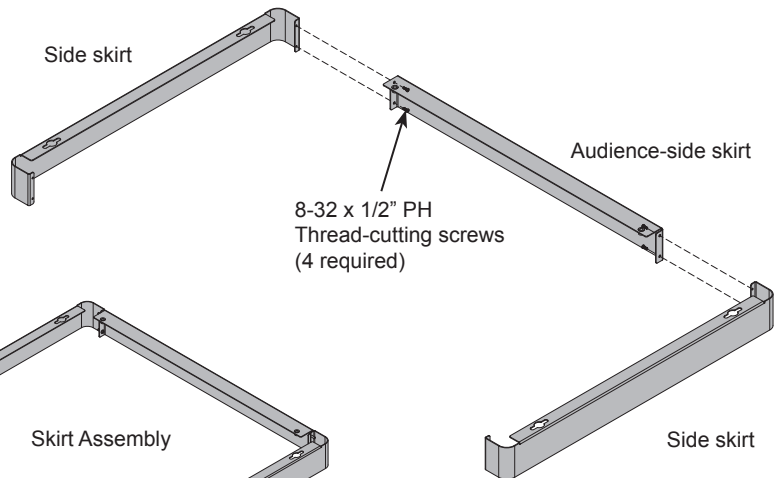


Figure 1.1

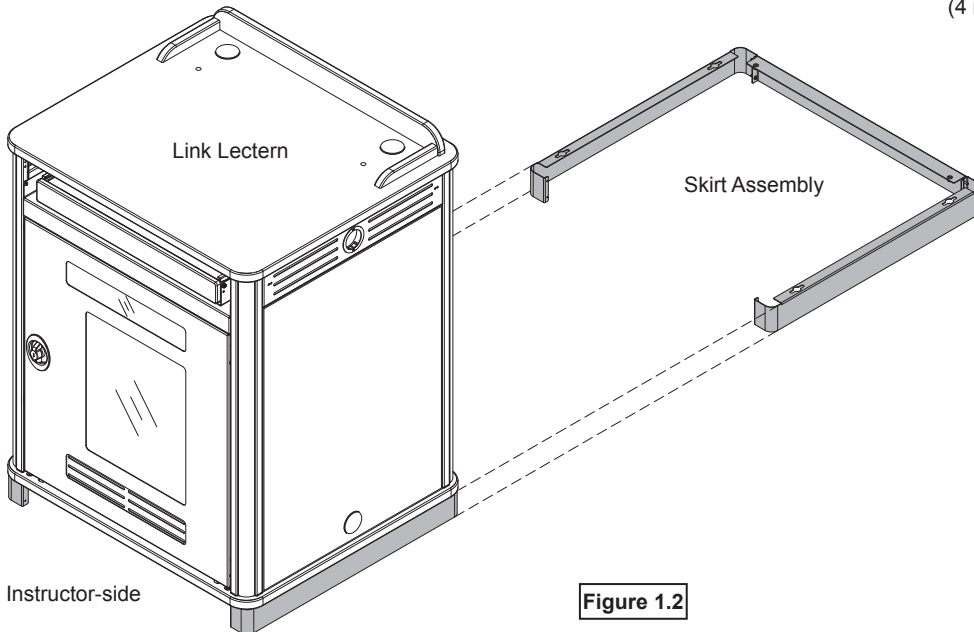


Figure 1.2

3. Hook the skirt keyhole slot at the end of each side skirt over the pre-installed #14 x 7/8" PHSM screw. **Figure 1.3.**
4. From inside the lectern (on audience-side), install (2) 1/4-20 x 40mm JC bolts through the base panel to secure the assembled skirt, and tighten securely.

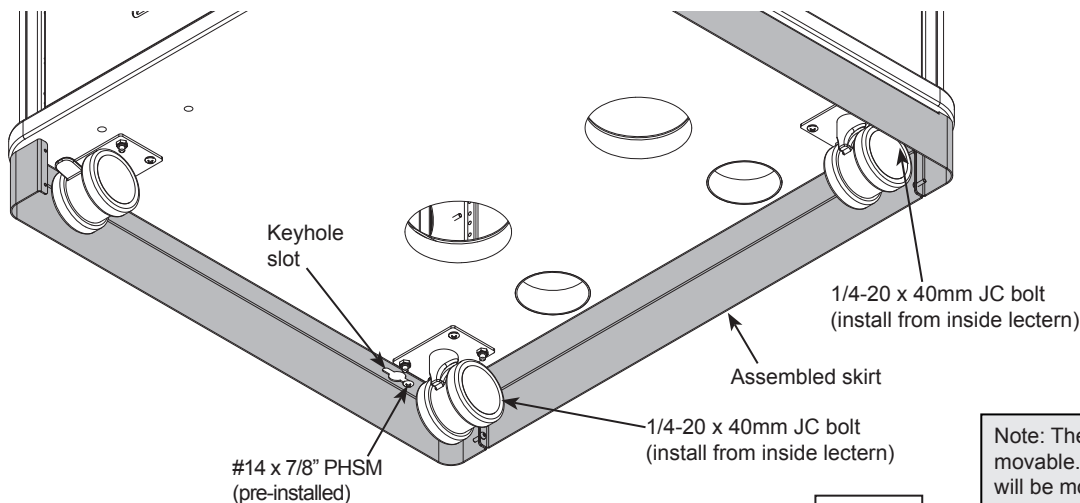


Figure 1.3

Note: The skirt is designed to be easily removable. It should be removed if the lectern will be moved over long distances or thresholds to prevent damage to the skirt panels.

Do not tip lectern to remove or install!

2. Audience-side Panel

The audience-side panel can easily be removed for full interior access.

To remove:

1. Push in the top of the narrow flip-up panel to access the locks. (Do not pry open this panel). **Figure 2.1.**
2. Unlock both locks while supporting the audience-side panel. **Figure 2.2.**
3. Lift out the panel.

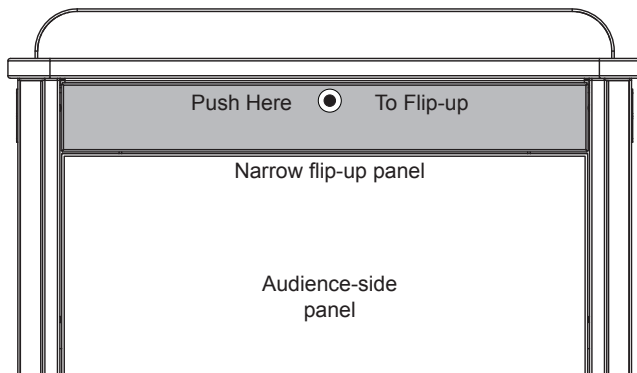


Figure 2.1

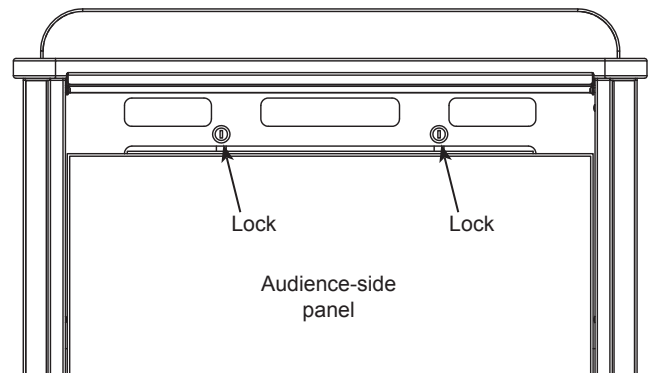


Figure 2.2

3. Caster Operation

1. Lock the brake levers to lock movement of the casters. (Two instructor-side casters only). **Figure 3.**
2. To resume operation, lift up on brake levers.

4. Moving and Parking the Lectern

- Before moving, unplug and secure all power cords.
- Close and lock doors.
- Lower any flip-up shelves.
- Remove any items from the top of the worksurface.
- Unlock the casters.
- Push slowly and carefully. Do not move over uneven or irregular surfaces.
- Do not allow children to move.
- Lock the casters after moving.
- Do not park unit in areas of heavy traffic.
- Do not run power cords across hallways, classrooms, or areas where they will be walked on.

When lectern is unattended:

- Do not leave in areas where children have access.
- Keep doors closed and locked.
- Keep casters locked.

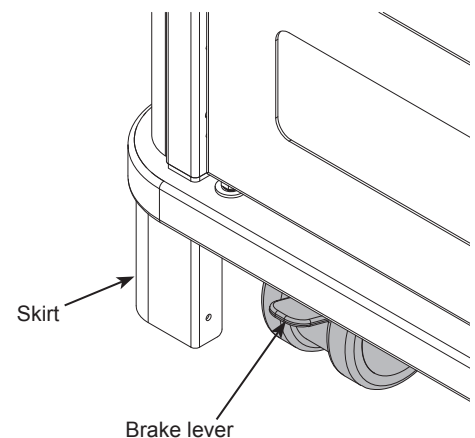


Figure 3

Note: The skirt is designed to be easily removable. It should be removed if the lectern will be moved over long distances or thresholds to prevent damage to the skirt panels. **Do not tip lectern to remove or install!**

Optional Rack Cube



The removable rack cube simplifies installation by providing the ability to integrate equipment remotely for installation into the lectern at a later date. It provides mounting capabilities for multiple cooling fans if necessary. Compatible with most 4.75" cooling fans with 4.13" mounting hole spacing.

Figure 4.2.

1. To remove the rack cube, open or remove the doors. **Figure 4.1.**
2. Unscrew the #14 x 7/8" PHSM screw from the cube, and slide out. **Figure 4.2.**

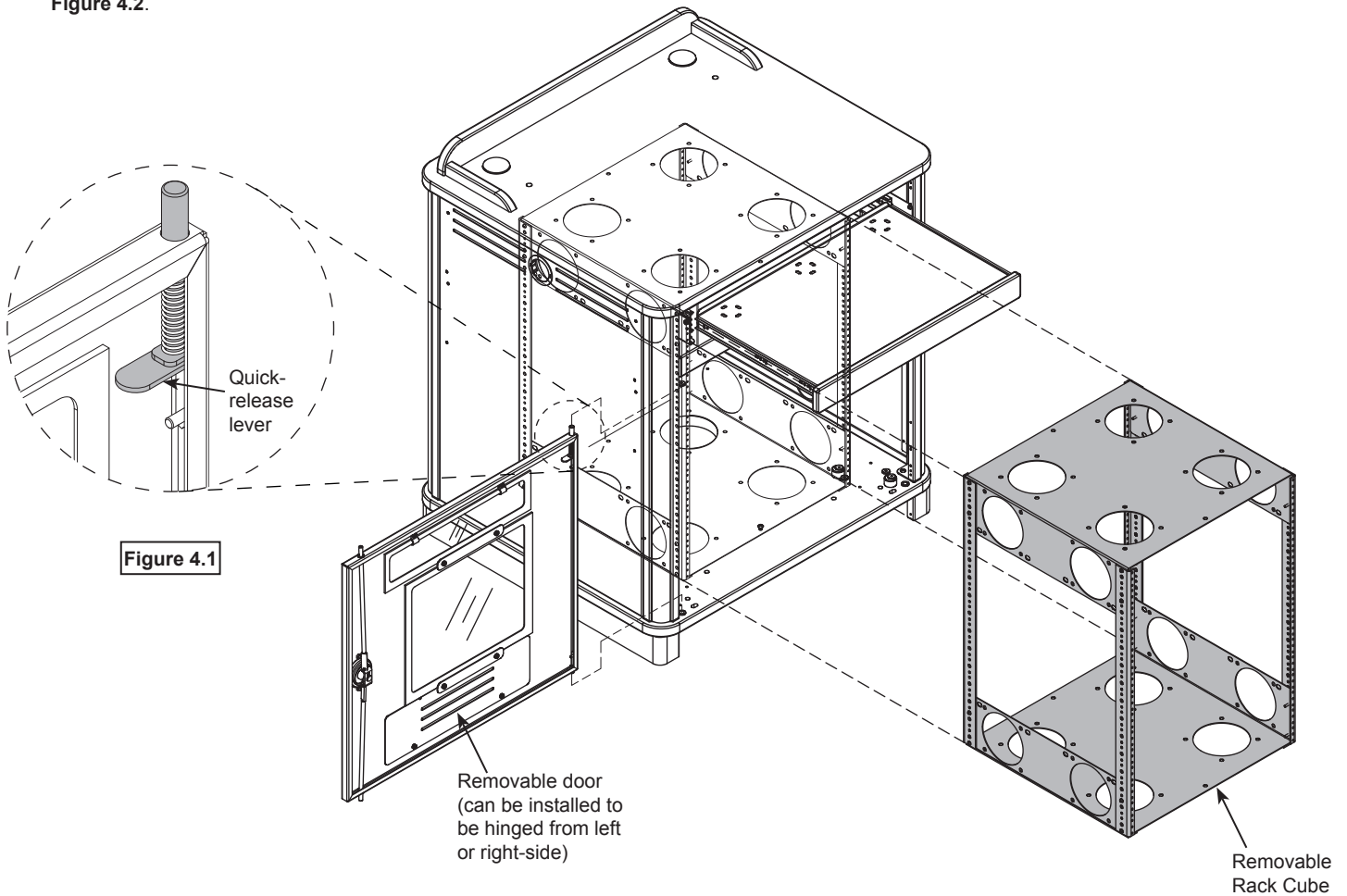


Figure 4.1

Figure 4.2

Optional Keyboard Tray / Drawer

Note: Can be used as a keyboard tray, or flipped and used as a drawer.

1. To flip, pull out the tray and locate the black plastic lever on each side. **Figure 5.**
2. Release the levers on the slides while pulling the tray out.
3. Flip the tray, re-align the slides, and push back in.

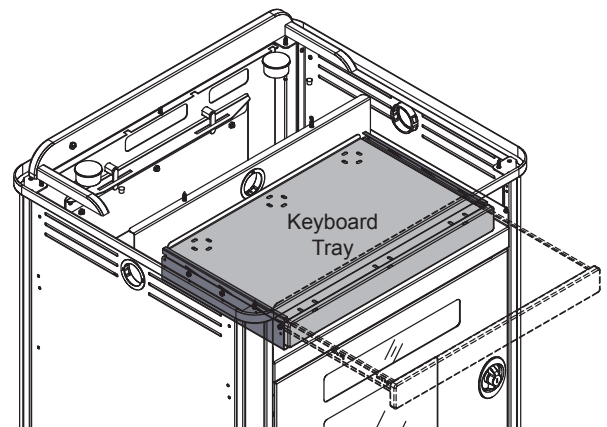


Figure 5

Optional Quick-Release Instructor-Side Door

The door can easily be removed for easier access using the quick-release hinge lever located on the upper hinge pin of each door. **Figure 6.1.** To remove, lift the lever while lifting out the door.

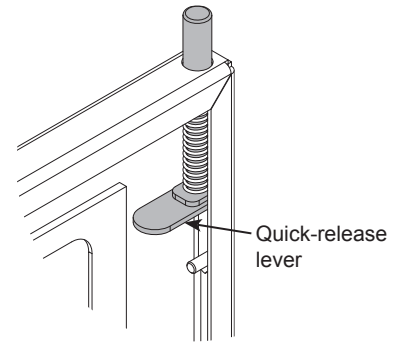


Figure 6.1

The door can be installed to be hinged from the left or right-side. To switch the hinge side:

1. Remove the door using the quick-release lever. **Figure 6.2.**
2. Rotate the door 180°. **Figure 6.3.**
3. The vented panel should be located on the bottom of the door. Switch the lower vented metal panel with the upper acrylic panel (requires removing or loosening 8-32 nuts.) **Figure 6.4.**
4. Switch the corner hinge components as shown and tighten securely.
5. Re-install the door.

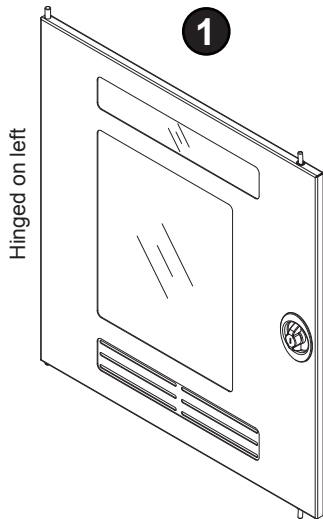


Figure 6.2

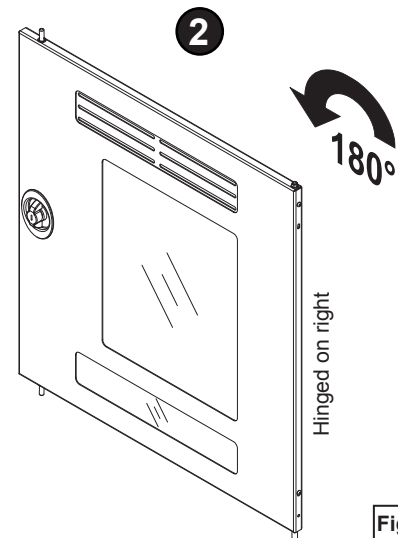


Figure 6.3

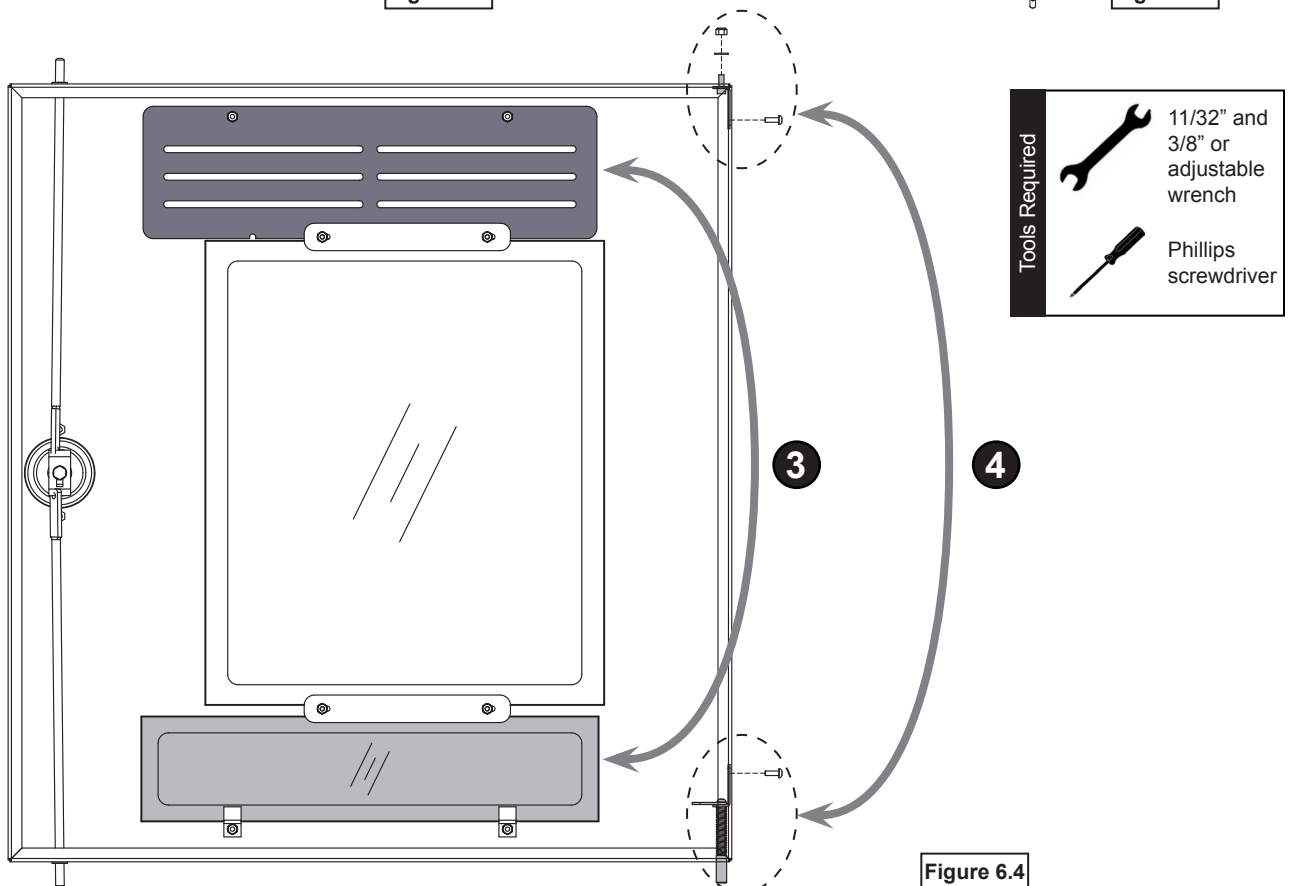
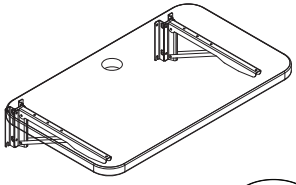


Figure 6.4

Optional Flip-up Shelf

Installation video available
See www.spectrumfurniture.com

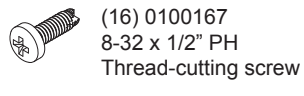


(1) Flip-up shelf assembly



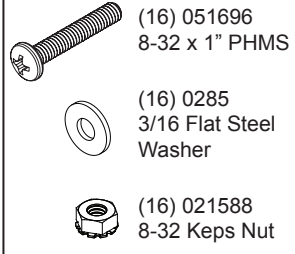
(1) 039622
2" Grommet

For metal side panels



(16) 0100167
8-32 x 1/2" PH
Thread-cutting screw

For laminate side panels



(16) 051696
8-32 x 1" PHMS

(16) 0285
3/16 Flat Steel
Washer

(16) 021588
8-32 Keps Nut

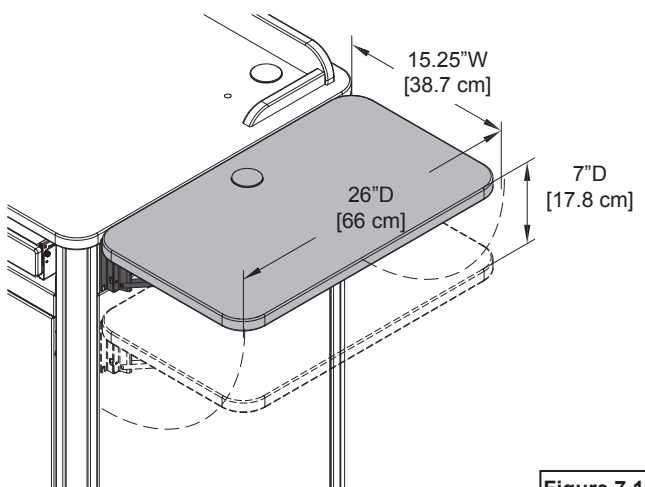


Figure 7.1

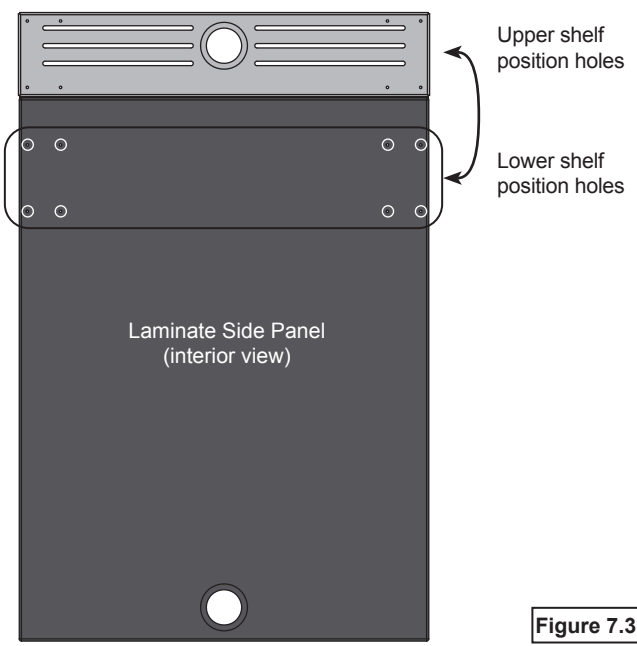


Figure 7.3

1. Determine:

- The side of the lectern the shelf will be installed. (Left or right)
- The shelf position: (Upper or lower)
- Type of side panels your lectern has (metal or laminate) **Figure 7.2**

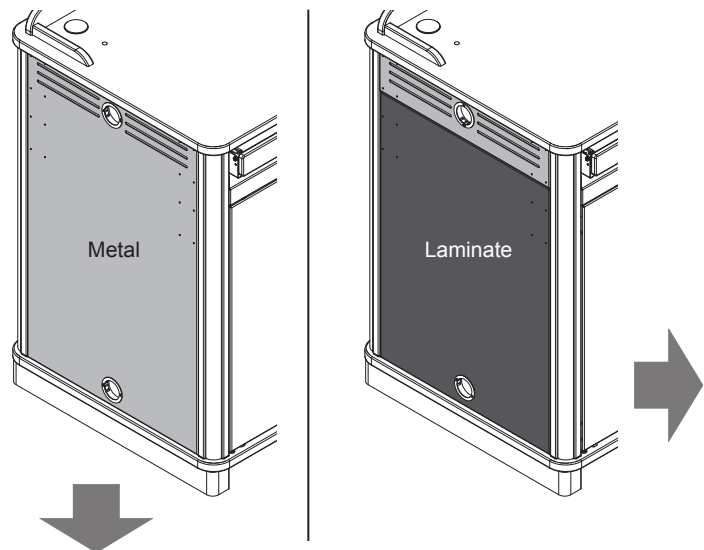


Figure 7.2

Proceed to Step 2

Attaching to laminate side panels:

1. Open the lectern door and remove the rack cube (if equipped).
2. From inside the lectern, use a drill with a 3/16" drill bit and slowly drill out the corresponding pre-drilled pilot holes located on the laminate side panel. **Figure 7.3**. Masking tape can be used on the exterior to minimize chip-out.

Drill with 3/16" drill bit

2. Attach shelf brackets to lectern:

1. Extend and lock each folding shelf bracket into the horizontal position.
2. Select the fasteners needed (Metal or laminate side panels)
3. Install the (4) lower screws into the side panel at the preferred height leaving about 1/4" of threads exposed.
4. Set the shelf assembly onto the (4) lower screws using the notched brackets.
5. Secure the shelf assembly by installing the (4) upper screws.
6. Tighten all 8 screws securely.
7. Install 2" grommet in shelf.

Metal side panel fasteners

(8) 8-32 x 1/2" PH Thread-cutting screws

Laminate side panel fasteners

(8) 8-32 x 1" PHMS
 (8) 3/16" Flat steel washers
 (8) 8-32 Keps nuts

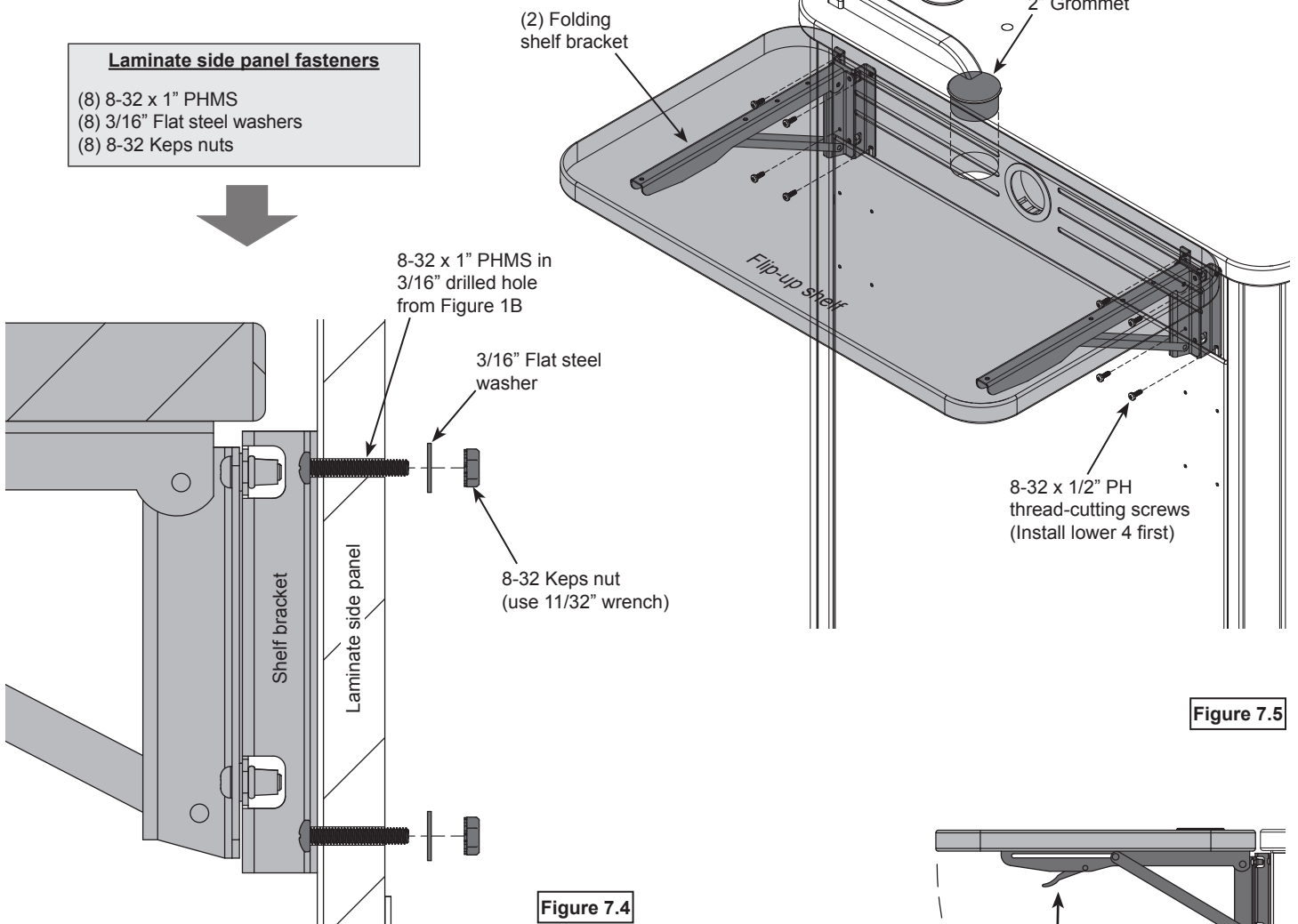


Figure 7.5

Figure 7.4

3. Operation:

Operation

The shelf will automatically lock into place when lifted into the horizontal position with the levers released. **Figure 7E.** To lower or flip-up the shelf, press and hold the shelf bracket levers while slowly lowering or raising the shelf. Do not move the lectern while the shelf is in the horizontal position.

Note: Power and communication wiring for document cameras, laptop computers, and / or projectors placed on the flip-up shelf should be routed on top of the audience-side of the shelf. Use of the shelf grommet hole for wiring will result in pinching of the cords when the shelf is folded.

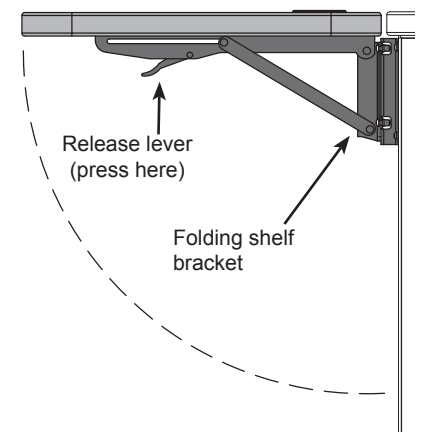


Figure 7.6



CAUTION

Keep clear of pinch points during shelf movement.
 Do not exceed 35 lbs [15.9 kg] of weight on shelf.

Optional Overbridge Insert Panel Cutouts

1. Before you begin, refer to the panel dimensions in **Figure 8B** for maximum recommended cutout sizes.
2. Identify the size and position (left, centered, or right) of each cutout needed.
3. Identify the depth of your device to verify it will not interfere with the worksurface or any other objects under the overbridge when the panel is attached. **Figure 8.3**.
4. When the cutout location(s) have been determined, locate and mark the exact cutout area(s) on the panel with a pencil. **Note: Using masking tape on cut lines will minimize laminate chipping while cutting.**
5. Carefully make the cutout(s) in the panel using a jigsaw or router.
6. Set the panel into the overbridge frame opening. Note: It may be necessary in some cases to install the electronic device into the panel before attaching the panel to the overbridge.
7. Secure with (2) 1/4-20 x 35mm JC bolts and tighten securely.
8. Install (2) 2" grommets.

Note: The overbridge panel is symmetrical. Rotating or flipping the panel 180° and re-attaching to the overbridge will allow you to place the cutout on the opposite side of the overbridge if necessary.

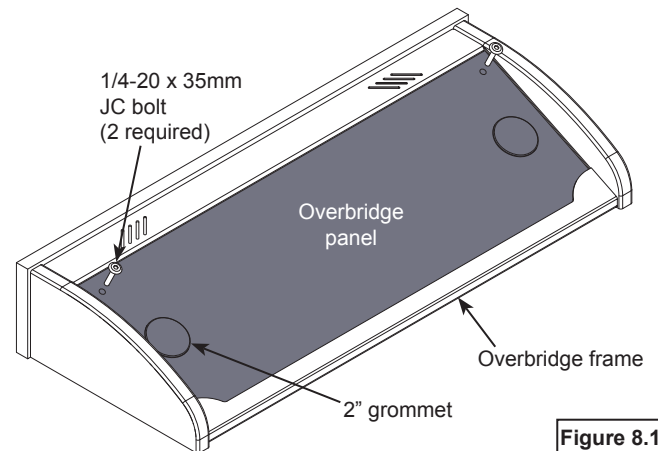
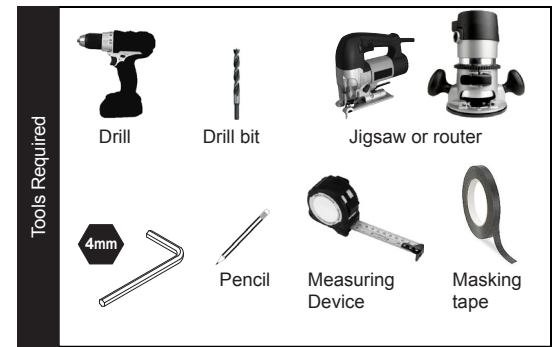


Figure 8.1

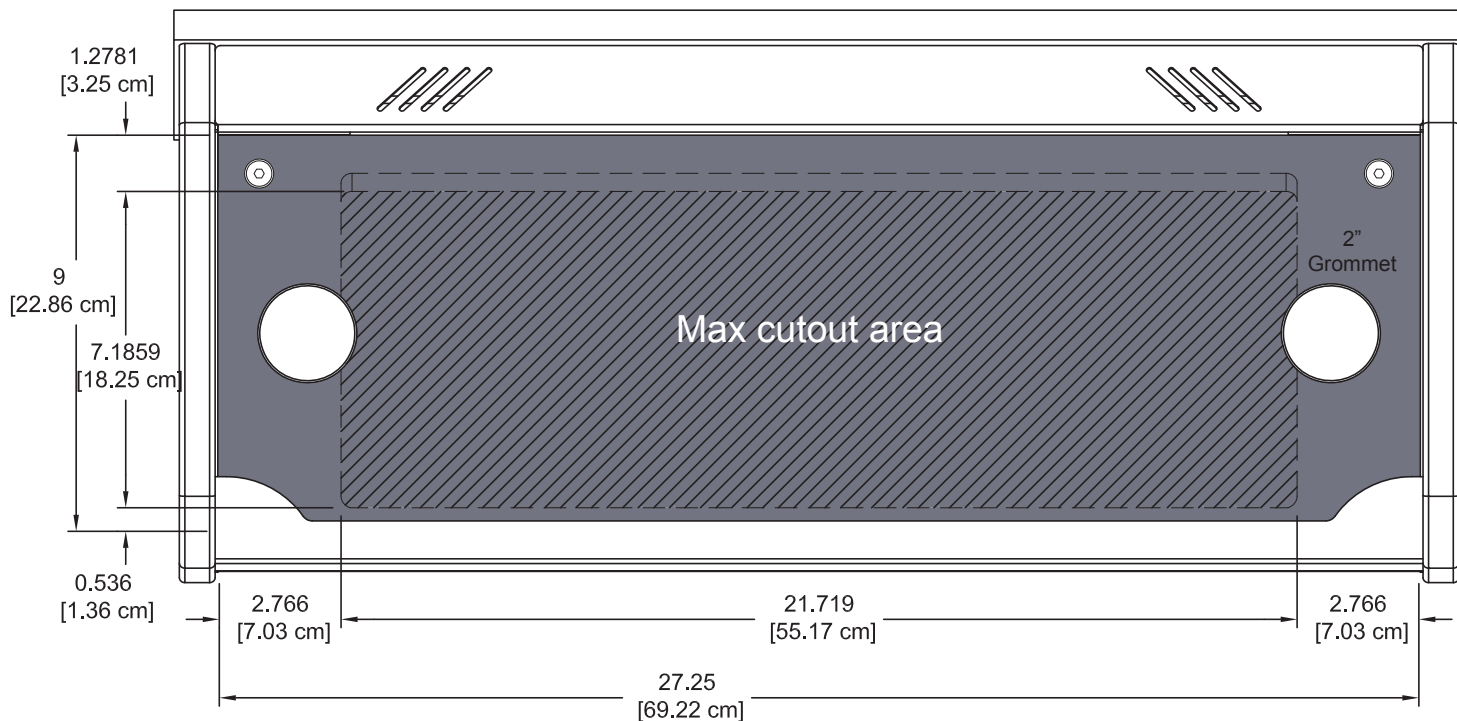
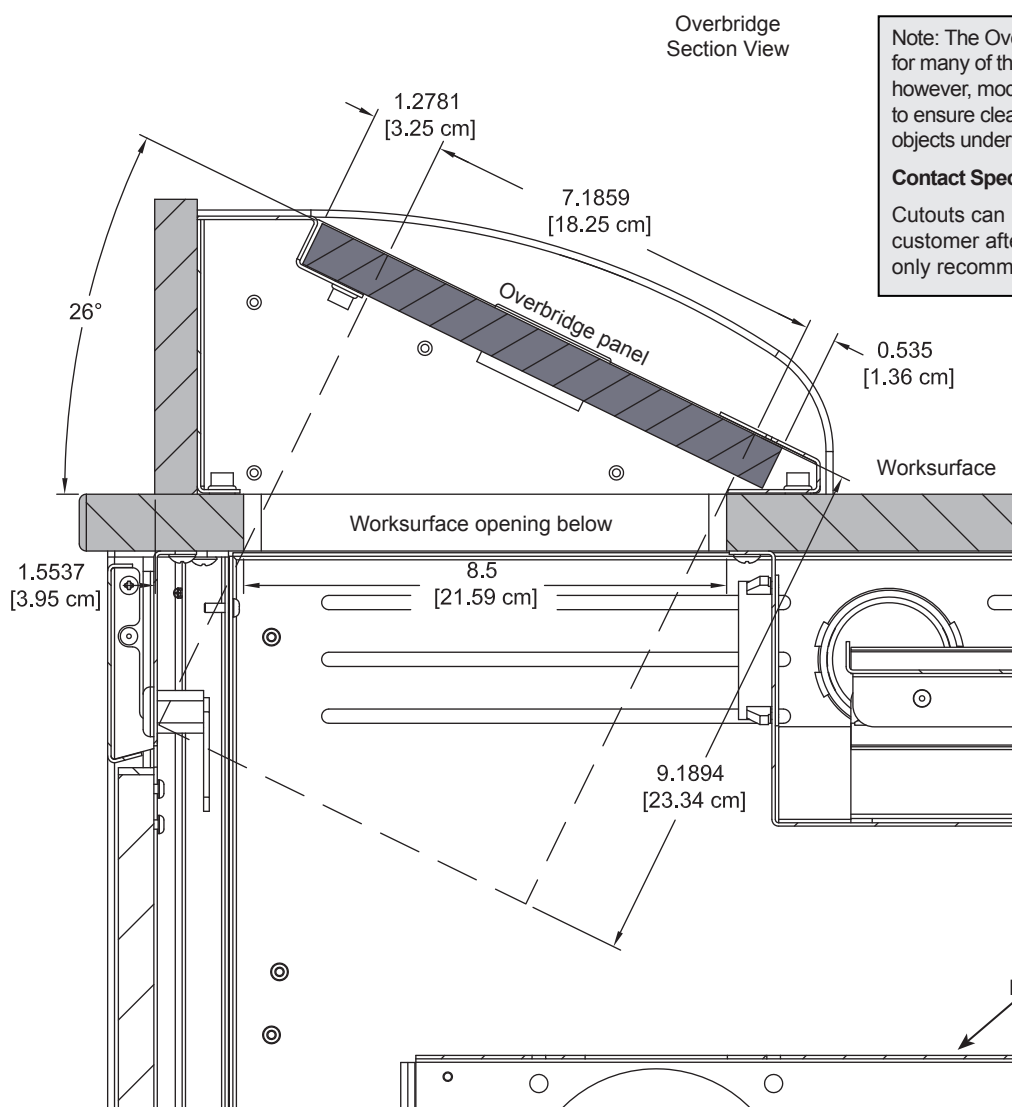


Figure 8.2



Overbridge Section View

Note: The Overbridge Control Console™ has been designed for many of the currently available controllers on the market, however, modified cutouts should be reviewed by Spectrum to ensure clearance of brackets, keyboard slides, or other objects under the worksurface.

Contact Spectrum to specify cutout size(s) and location(s).

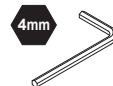
Cutouts can be made in the blank insert panel by the customer after the lectern has been purchased, but are only recommended within the cutout area shown.

Note: The max cutout areas shown are general recommendations only. The final location of the cutout(s) on the panel will be determined by:

- The size of the cutout(s)
- Location preference of each device (left, centered, right)
- The vertical depth of the installed device
- The available worksurface opening under the overbridge on your specific Spectrum lectern.

Figure 8.3

Optional Toe Kick



1. Position the toe kick panel on the floor in the preferred final lectern location. **Figure 9.1.**
2. Mark the (4) mounting hole locations onto the floor.
(The toe kick mounting holes are 1/2" dia.)
3. Drill suitable holes into the floor and anchor the toe kick with appropriate fasteners.
4. At this point, wiring connections can be made under the lectern with easier access to the base panel grommet holes.

Note: If the toe kick will be anchored to the floor, (4) fasteners are required that will work with the 1/2" diameter holes on the toe kick. Due to the wide variety of flooring materials and conditions possible, anchor fasteners are not provided.

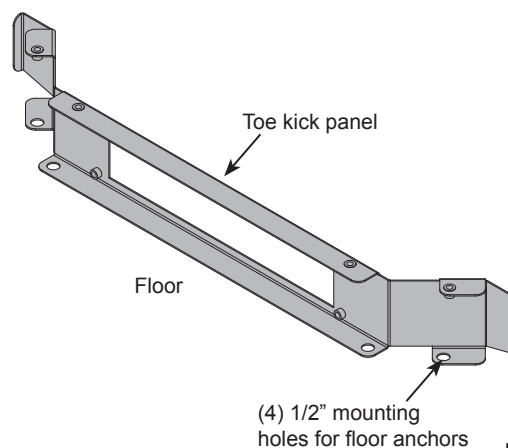


Figure 9.1

5. Move lectern into position over the anchored toe kick. **Figure 9.2.**
6. Align the (4) base panel mounting holes (instructor-side) with the toe kick panel mounting holes.
7. Attach toe kick plate with (4) 1/4-20 x 15mm JC bolts.

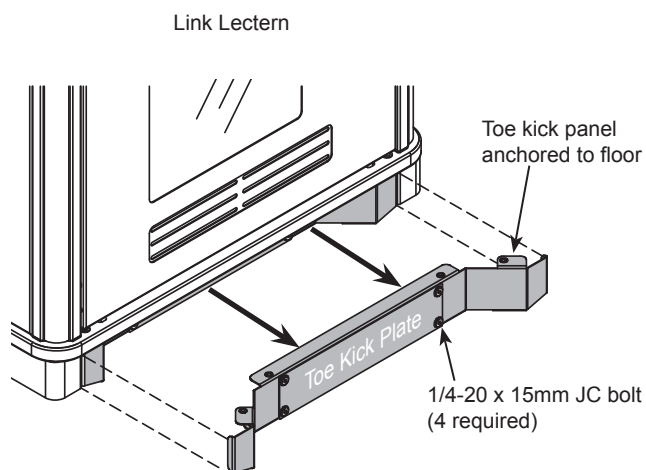


Figure 9.2

8. Open or remove both doors.
9. Install (4) 1/4-20 x 40mm JC bolts through the base panel to secure, and tighten securely. **Figure 9.3.**

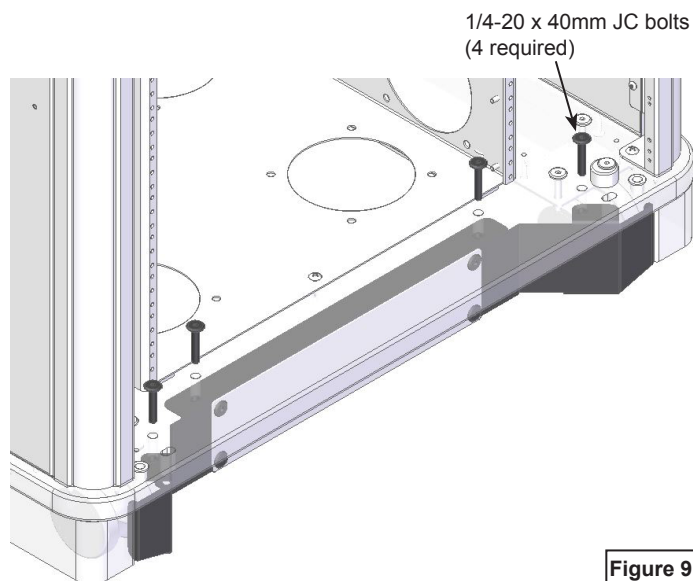
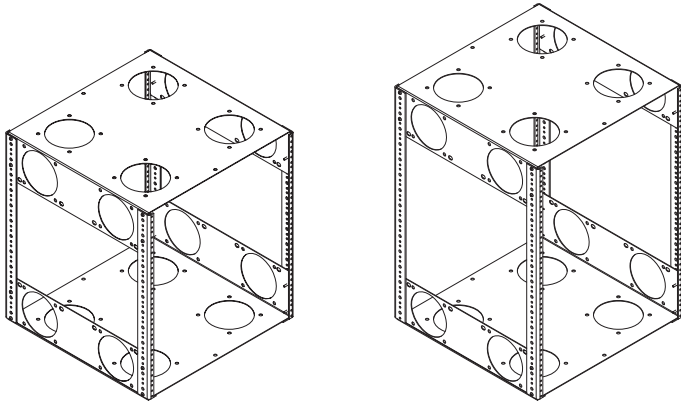


Figure 9.3



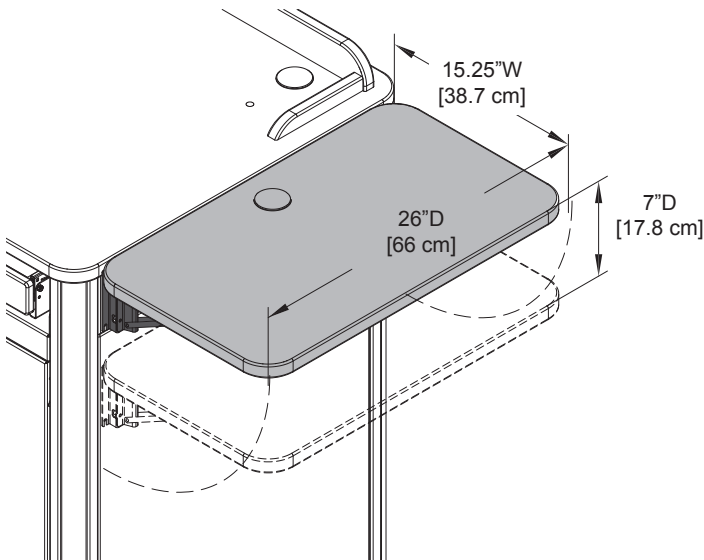
12RU (36"H Link)

15RU (41"H Link)

15RU Rack Cube - 55384
12RU Rack Cube - 55197

- Provides the ability to integrate equipment remotely before installation into the lectern
- One rack cube can be installed into the Link Lectern
- Polyethylene slides on bottom for easy removal
- Can be secured to base panel
- Cooling fan compatible
- Color: black

Rack rail:	15RU front and rear (41" H Link) 12RU front and rear (36" H Link)
Dimensions 15RU Cube:	19.125"W [48.58 cm] x 19.031"D [48.34 cm] x 26.625"H [67.63 cm]
Dimensions 12RU Cube:	19.125"W [48.58 cm] x 19.031"D [48.34 cm] x 21.375"H [54.29 cm]
Mounts for cooling fans:	Compatible with most 4.7" fans with 4.13" mounting hole spacing (12 mounting locations available)
Unit weight:	21 lb [9.5 kg] 15RU Cube 19 lb [8.6 kg] 12RU Cube
Shipping weight:	23 lb [10.4 kg] 15RU Cube 22 lb [10 kg] 12RU Cube

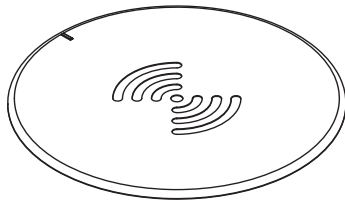


Flip-Up Shelf - 55540

- Matching laminate
- Shelf brackets lock into place in the upright position
- Includes 2" grommet
- 2 mounting heights available
- Available in White Chalk Dry Erase laminate. Flip-up shelves configured with white laminate will have the same edgeband color as the worksurface and base panel.
- Customer-installed

Weight capacity:	35 lb [15.9 kg]
Dimensions:	15.25"W [38.7 cm] x 26"D [66 cm] x 1"H [2.54 cm]
Height positions available:	• 41"H [104.1 cm] (level with worksurface) • 33.5"H [85.1 cm]

Note: Power and communication wiring for document cameras, laptop computers, and/or projectors placed on the flip-up shelf should be routed on top of the audience-side of the shelf. Use of the shelf grommet hole for wiring will result in pinching of the cords when the shelf is folded.

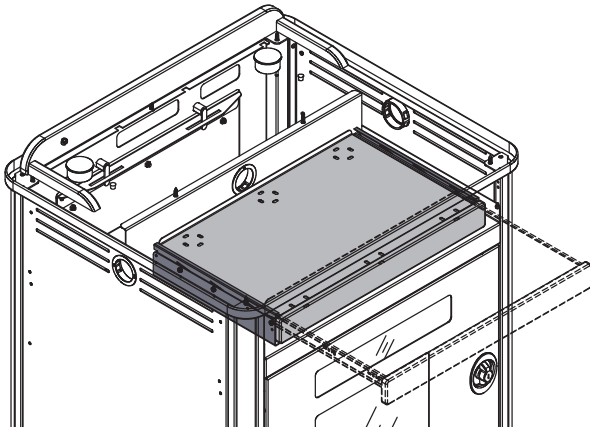


EM Wireless Charging Pad - 99057

- Uses electromagnetic technology to charge Qi V1.2 compliant IC devices ("Qi" enabled)
- LED to confirm pairing / charging
- Security tab prevents theft
- Requires 3" round cutout to be made by customer
- UL-certified

Cutout required:	3" dia (by customer)
Input:	DC 5V (with included DC5V.2A power adapter)
Output:	5W max (with included DC5V.2A power adapter)
Power cord:	8' [244 cm] with DC jack
Dimensions:	3.5" dia [8.9 cm] x 1.125"H [2.9 cm]
Shipping weight:	1 lb [.45 kg]

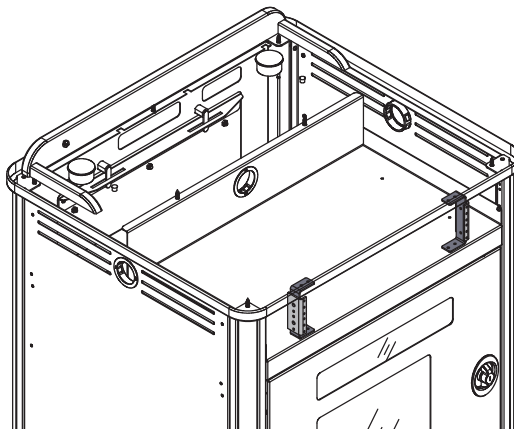
Note: The unit requires a 7" diameter of clearance to work with Qi-enabled phones placed in any orientation. The 3" dia cutout should be located on the worksurface at least 3.5" from any edge.



Keyboard Tray - 55386

- Installed centered using pre-drilled mounting holes under the work surface
- Can be used as a keyboard tray or flipped and used as a storage drawer
- Wire management slots in tray

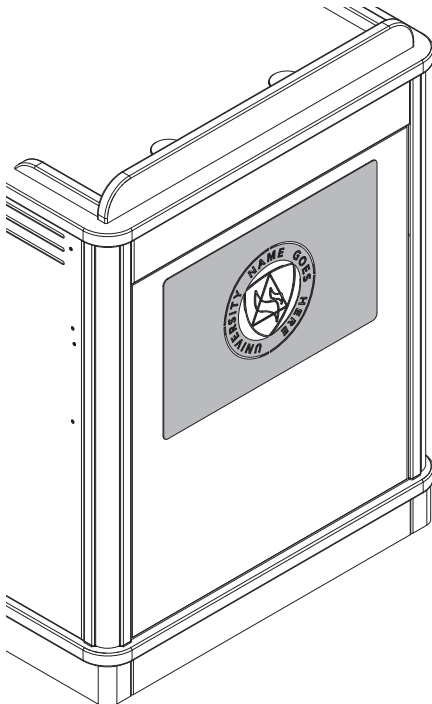
Dimensions:	22"W [55.9 cm] x 13.8"D [35 cm] x 2.1"H [5.3 cm]
Slides:	14" [35.6 cm] full-extension
Weight capacity:	25 lb [11.4 kg]
Unit weight:	12 lb [5.4 kg]
Shipping weight:	14 lb [6.4 kg]



2RU Rack Rail Kit - 55113

- Adds an additional 2RU to lectern
- **(Keyboard Tray needs to be removed to install)**

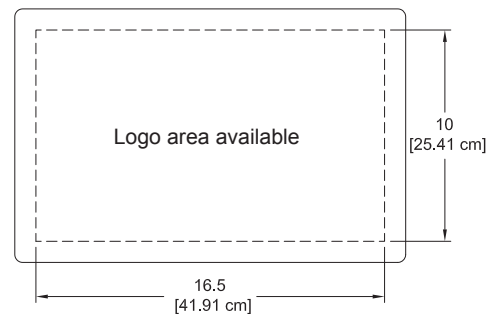
Rack Units:	2RU
Shipping weight:	1 lb (.5 kg)



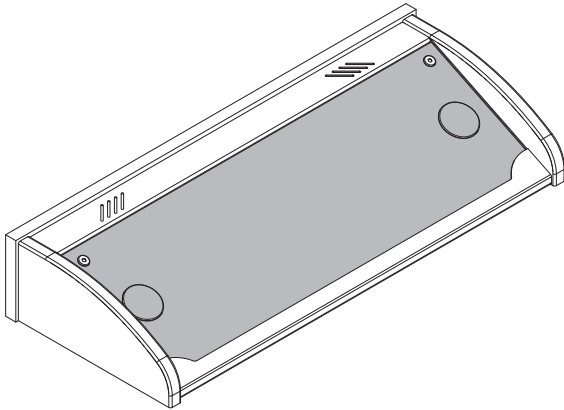
Customized Logo Panel - 55111

- Attaches to audience-side of lectern
- Available with black, white, or matching laminate backer
- To get panel customized-contact Spectrum for details
- New logos require a first time logo charge

Dimensions:	18.5"W [47 cm] x 12"H [30.5 cm]
Available logo area:	16.5"W [41.9 cm] x 10"H [25.4 cm]
Shipping weight:	3.25 lb [1.5 kg]



Insert panels are available to customers needing a replacement panel or different cutouts for technology upgrades.

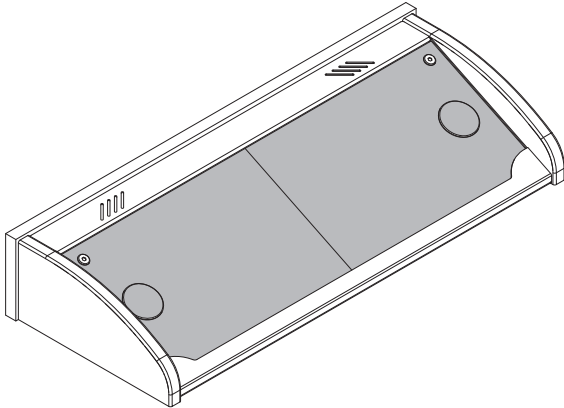


Overbridge Insert Panel-Medium

96504 - Blank panel-Medium
96504mod - Panel with cutout(s)

- Panel for overbridge version only (overbridge not available separately)
- Contact Spectrum to specify cutout size(s) and position(s)
- Includes two 2" [5.08 cm] grommets with covers
- Customer-installed

Dimensions:	27.25"W [69.2 cm] x 9"D [22.9 cm] x .79"H [2 cm]
Unit weight:	N/A
Shipping weight:	8.5 lb [3.9 kg]

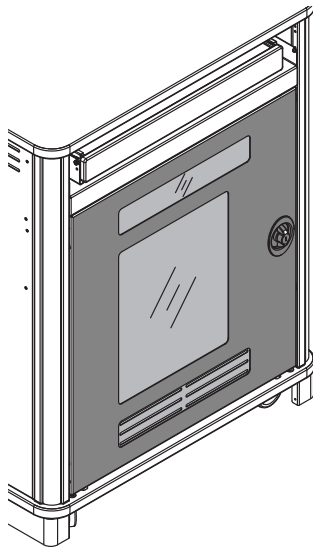


Two-piece Overbridge Insert Panel-Medium

96504 - Blank panel (split)-Medium (2 required)

- Split panel for overbridge version only
- Contact Spectrum to specify cutout size(s) and position(s)
- Includes 2" [5.08 cm] grommets with covers
- Customer-installed

Dimensions:	13.625"W [34.6 cm] x 9"D [22.86 cm] x .79"H [2 cm]
Unit weight:	N/A
Shipping weight:	4.25 lb [1.9 kg]

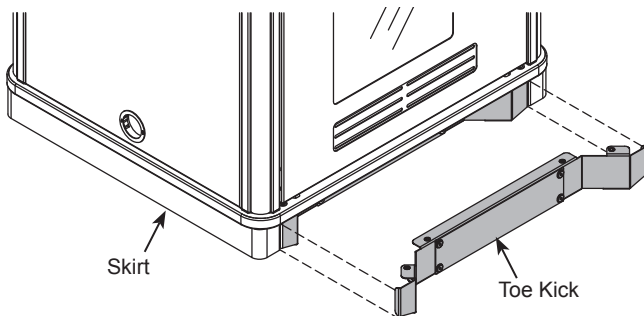


Instructor-Side Door

55114 - 41"H
55387 - 36"H

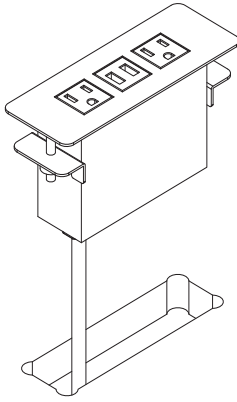
- Dual-bolt lock provides security
- Quick-release hinge allows easy removal for full-access
- Door can be installed to be hinged from the left or right
- Two acrylic panels provide ability to monitor internal components
- Ventilated bottom panel

Dimensions:	41"H Lectern: 26.3"W [66.8 cm] x .75"D [1.9 cm] x 28.3"H [71.8 cm]
	36"H Lectern: 26.3"W [66.8 cm] x .75"D [1.9 cm] x 23.28"H [59.1 cm]
Shipping weight:	10 lb [4.5 kg]



Toe Kick Kit - 55110

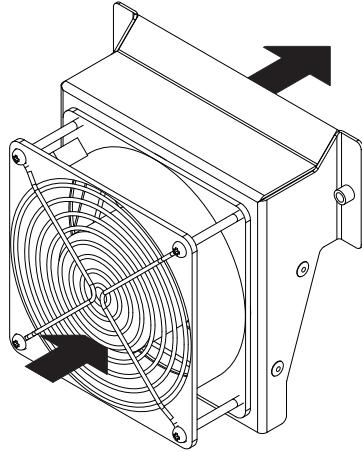
- Attaches to floor and lectern when mobility is not necessary or desired (floor fasteners not included)
- Conceals casters
- Includes access panel
- Shipping weight: 12 lb [5.4 kg]



Power Module - 99058

- (2) AC power receptacles
- (2) USB charge ports
- Aluminum housing and flange
- Thumbscrew clamps
- Requires worksurface cutout
- ETL-certified
- Available in black, silver, or white
- Customer-installed

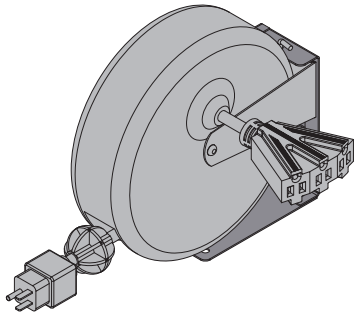
Cutout required:	5.65"W [14.35 cm] x 1.65"D [4.19 cm]
Power cord:	10' [305 cm] 14AWG *3C power cord
Power receptacles:	125V, 60hz, 15A tamper-resistant
USB charging ports:	2.1A (10.5W) (not data-compatible)
Dimensions:	6.38"W [16.2 cm] x 2.36"D [6 cm] x 3.54"H [9 cm]
Unit weight:	2 lb [.9 kg]
Shipping weight:	2.35 lb [1 kg]



Cooling Fan for Media Manager Series Lecterns - 99051

- Exhausts hot air from inside lectern
- Installs inside lectern at top of rack cabinet
- Mounts to side panel vent slots with two screws
- Customer-installed

Electric Fan:	• Voltage: 115VAC (single phase)	• Air flow: 49.4 CFM (1.40m³/min)
	• Power: 5.5W	• Frame material: Aluminum
	• Current: .08A	• Blade material: Polycarbonate, Fiberglass reinforced
	• 1450 RPM	
	• Dimensions: 119 mm x 119 mm	
	• Ball Bearing	
	• Noise: 28 dB	
Power cord:	18ga, 48" nominal length, 6A 125V~ (2 prong plug)	
Mounting bracket	• 16-gauge steel	
	• Black powder coat	
	• Mounting screws included	
Unit weight:	2.3 lb [1.05 kg]	
Shipping weight:	3 lb [1.36 kg]	

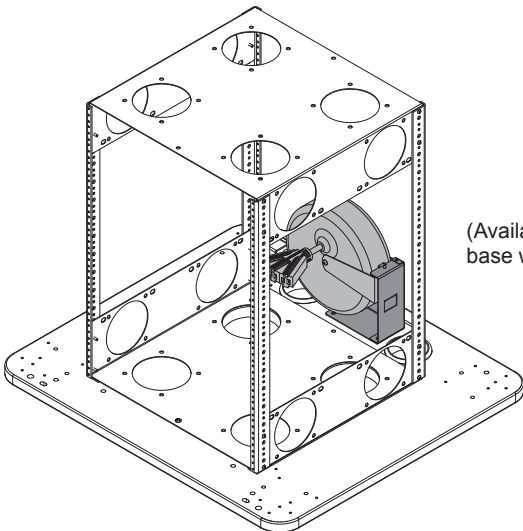


Universal Cord Reel Kit - 99037

- Includes universal mounting bracket
- Mounts inside lectern to base panel
- Adjustable ball stop and releasable cord-locking ratchet holds the cord at any length up to 15'
- cUL listed

Power cord:	15' nominal, 12 AWG retractable power cord
Power receptacles:	• Molded 3-prong male plug with 15A breaker and reset button
	• Tri-tap (3-outlet) receptacle
Universal mounting bracket	• 16-gauge steel
	• Black powder coat
	• Includes mounting screws
Unit weight:	10 lb [4.5 kg]
Shipping weight:	10.8 lb [4.9 kg]

The cord reel is intended to provide temporary access to electrical outlets for Spectrum mobile lecterns. Check local electrical codes prior to installation.



(Available position on base with rack cube)

See spectrumfurniture.com for the latest accessories and detailed warranty information.



Important Safety and Care Instructions



- Read this owner's manual before assembly or operation.
- Do not allow children to move the cart.
- Proceed slowly and carefully when moving the cart.
- For indoor use only. Do not install or store the cart where it will be exposed to moisture.
- Do not block the ventilation openings.
- Avoid uneven loading of the equipment into the cart. Uneven weight distribution could cause the cart to tip when the cart is moving.
- Do not allow anyone to sit, stand, or climb on the cart.
- Use a damp, soft-cloth, or sponge, with mild soap or detergent solution to clean dirty surfaces. Do not use harsh solvents or abrasives.
- This cart is intended for institutional use. It does not have any user-serviceable parts or user-maintenance requirements. If servicing is necessary, please contact Spectrum Industries for assistance.

Warning - Relocating audio and/or video equipment to furniture not specifically designed to support audio and/or video equipment may result in death or serious injury due to the furnishing collapsing or over turning onto a child.

Warning - Death or serious injury may occur when children climb on audio and/or video equipment furniture. A remote control or toys placed on the furnishing may encourage a child to climb on the furnishing and as a result the furnishing may tip over on to the child.

Electrical Safety:

- Keep the power switch in the OFF position before plugging or unplugging from the wall outlet.
- Turn OFF the devices before plugging them into the cart.
- Ensure total device / equipment load does not exceed 12-amps.
- Do not plug the power cord into an extension cord.
- Inspect the power cords for damage before each use. Do not use power cords that are damaged.
- Unplug power cord from electrical outlet by gripping the plug. Do not unplug the power cord by pulling only on the cord.
- Do not step on, drive over, drag, or place objects on the power cord.
- For added safety, plug the cart into a grounded outlet controlled by a GFI (Ground Fault Interrupter) circuit breaker.
- Damaged electrical components can create significant hazards to users and is not covered by the warranty. Repairs should always be performed by a qualified electrician.
- Electrical devices are not toys. Children are often unaware of the hazards associated with electrical devices. This cart must always be used by adults or with adult supervision.



Consignes importantes de sécurité et d'entretien



- Lire ce guide d'utilisation avant l'assemblage ou l'utilisation.
- Interdire aux enfants de déplacer l'armoire.
- Déplacer l'armoire lentement et prudemment.
- Utilisation à l'intérieur uniquement. Ne pas assembler et ne pas ranger l'armoire dans un endroit humide.
- Ne pas boucher les prises d'air de ventilation.
- Éviter le chargement mal réparti de l'équipement sur l'armoire. Un chargement mal réparti risque de faire basculer l'armoire en déplacement.
- Interdire à quiconque de s'asseoir, de se tenir debout ou de grimper sur l'armoire.
- Passer un chiffon doux ou une éponge, imbibés de solution nettoyante ou de savon liquide doux, sur les surfaces sales. Ne pas utiliser des solvants rudes ou des abrasifs.
- Cette classe mobile est destinée à un usage collectif. Elle ne contient aucune pièce susceptible d'être réparée par l'utilisateur et ne nécessite aucun entretien de la part de celui-ci. Si une maintenance est requise, communiquer avec Spectrum Industries pour obtenir de l'aide.

Avertissement - Reloger un équipement audio ou vidéo sur un meuble non conçu pour supporter cet équipement pourrait entraîner de graves blessures, voire la mort, à la suite de l'effondrement du meuble ou de sa chute sur un enfant.

Avertissement - Un enfant qui grimpe sur un meuble d'équipement audio ou vidéo pourrait subir des blessures graves ou mortelles. Une télécommande ou des jouets placés sur le meuble risquent d'inciter un enfant à y grimper : le meuble pourrait alors basculer et écraser l'enfant.

Consignes de sécurité en électricité

- Mettre d'abord l'interrupteur sur Arrêt avant de brancher ou de débrancher la prise.
- Éteindre les appareils avant de les brancher à l'armoire.
- Assurez-vous que la charge totale appareils / équipements n'exécède pas 12 A.
- Ne pas brancher le cordon d'alimentation sur une rallonge.
- Vérifier que les cordons d'alimentation sont intacts avant chaque utilisation. Ne pas les utiliser s'il sont abîmés.
- Pour débrancher le cordon de la prise murale, saisir son bouton isolant et tirer; ne pas tirer le cordon.
- Ne pas marcher, ne pas rouler et ne pas placer des objets sur le cordon d'alimentation; ne pas le traîner.
- Pour plus de sécurité, brancher l'armoire sur une prise mise à la terre protégée par un disjoncteur de fuite de terre.
- Les composants électriques abîmés risquent d'exposer les utilisateurs à de graves dangers; ils ne sont pas couverts par la garantie. Toujours confier les réparations à un électricien qualifié.
- Les appareils électriques ne sont pas des jouets. Les enfants n'ont souvent pas conscience des dangers associés aux appareils électriques. Cette armoire doit donc être toujours utilisée par un adulte, ou sous la surveillance d'un adulte.



Instrucciones importantes de prevención de accidentes y cuidado



- Lea este manual del propietario antes de la instalación u operación.
- No permita que los niños muevan el carro.
- Proceda lenta y cuidadosamente al mover el carro.
- Solo para uso en interiores. No instale o guarde el carro donde quede expuesto a la humedad.
- No obstruya las rendijas de ventilación.
- Evite cargar el equipo de forma desigual dentro del carro. La distribución asimétrica del peso podría provocar que el carro se vuelque al momento de moverlo.
- No permita que nadie se sienta, pare o suba al carro.
- Para limpiar las superficies sucias, utilice un paño, trapo suave o esponja con jabón neutro o una solución de detergente. No utilice solventes o abrasivos ásperos.
- El uso convencional de este carro es institucional. No contiene ninguna parte que pueda ser reparada ni requiere de mantenimiento por parte del usuario. Si fuera necesario darle mantenimiento, póngase en contacto con Spectrum Industries para obtener asistencia.

Advertencia: reubicar equipo de audio y/o video a un mueble que no haya sido diseñado específicamente para tal uso, puede provocar la muerte o lesiones graves debido a que puede colapsarse o volcarse sobre un niño.

Advertencia: existe peligro de muerte o lesiones graves si los niños se suben a un mueble de equipo de audio y/o video. Un control remoto o juguete colocado sobre el mueble puede alentar a un niño a subirse y provocar que el mueble se vuelque sobre el chico.

Prevención de accidentes eléctricos:

- Mantenga el interruptor de alimentación en la posición de OFF [apagado], antes de enchufarlo o desenchufarlo del tomacorriente de pared.
- Apague los dispositivos antes de enchufarlos al carro.
- Revise que la carga total del dispositivo o del equipo no exceda los 12 amperios.
- No enchufe el cable de alimentación a un cable de extensión.
- Revise que el cable de alimentación no tenga ningún daño antes de utilizarlo. No utilice cables de alimentación que estén dañados.
- Desconecte el cable de alimentación de la toma eléctrica sosteniendo firmemente el enchufe. No desconecte el cable de alimentación tirando solamente del cable.
- No se pare, circule, jale o coloque ningún objeto sobre el cable de alimentación.
- Para mayor seguridad, enchufe el carro a una conexión a tierra controlada por un interruptor de circuito GFI (interruptor de fallas de conexión a tierra).
- Los componentes eléctricos dañados pueden implicar riesgos de importancia para los usuarios, que no cubrirá la garantía. Un electricista calificado es quien deberá realizar siempre las reparaciones.
- Los dispositivos eléctricos no son juguetes. Los niños generalmente no están conscientes de los riesgos asociados con los dispositivos eléctricos. Este carro lo deberán utilizar siempre personas adultas o bajo su supervisión.

Product Registration

Dear customer,

Spectrum Industries would like to thank you for your purchase. Please take a moment to register your product for valuable warranty and product information. Locate the product and serial numbers on the label located either on the inside of the front door, or under the main worksurface. Record the numbers here to enter online.

If you have any questions or concerns about the product you received, please contact us.

Product Number:

Serial Number:

1-800-235-1262

Toll-free HELPLINE

spectrum@spectrumbfurniture.com



Learn more at:



[spectrumbfurniture.com/register](https://www.spectrumbfurniture.com/register)

Warranty

We will make it right for you!

Thanks for choosing Spectrum! Spectrum is committed to provide complete customer satisfaction. Each of our products is manufactured from the best materials available and each product is stringently monitored throughout the production process through our P.A.C.E. program (Product Assurance to meet Customer Expectations).

We expressly warrant that Spectrum products will be of good quality and workmanship and free from defect for the period set out in the warranty from the date of delivery.

For a listing of all product specific warranty terms please visit our website at:

<https://www.spectrumbfurniture.com/en/resources/purchasing-terms-warranty>



Spectrum Industries is Certified ISO 9001:2015