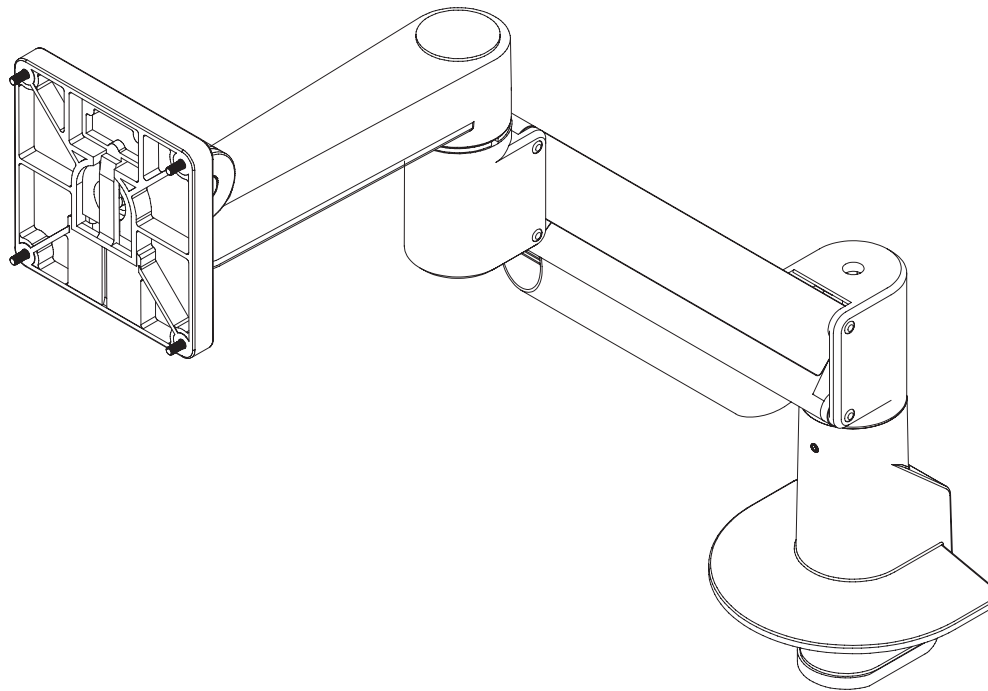


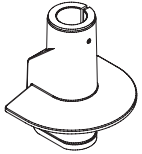
# 7000 Installation Instructions



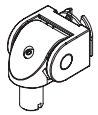
**Note:** Parts may be shipped in separate boxes, please review all packaging prior to discarding.

# 7000 Parts List

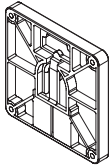
A Top Down Mount 1x  
8524



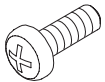
B Monitor Tilter 1x  
8500 Tilter



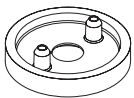
C Quick Connect VESA Plate 1x  
114808



D M4 x 12mm Phillips Pan Head Screw (4-pack) 1x  
702096



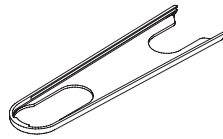
E Dog Washer 1x  
105189



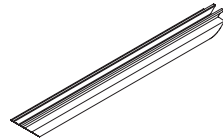
F 10-32 x 3/8" FPhMS w/Lock Patch 1x  
705198



G Forearm Cable Cap 1x  
115584



H Cable Cap 1x  
114810



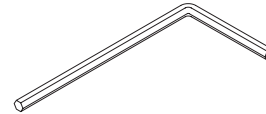
I 1/8" Allen Wrench 1x  
701312



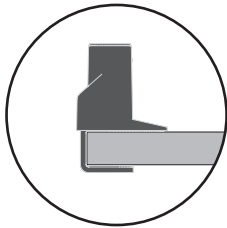
J 3/32" Allen Wrench 1x  
700146



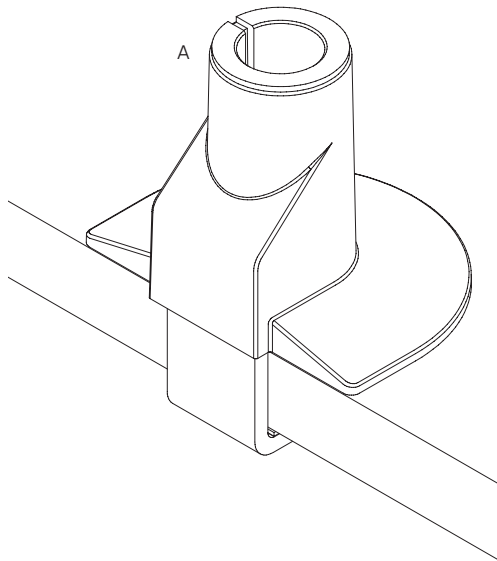
K 7/32" Allen Wrench 1x  
701127



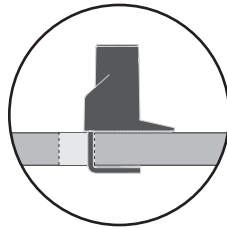
1



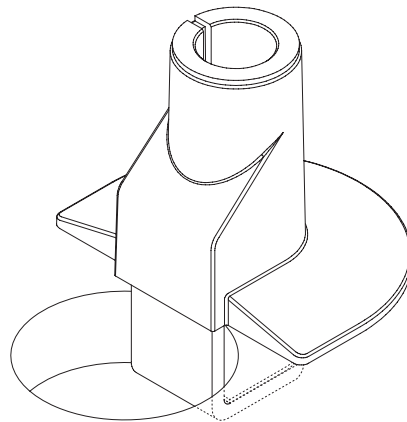
Desk thickness  
up to 1.5" (3.8 cm)



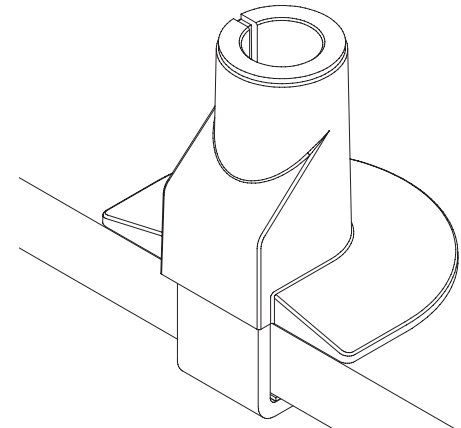
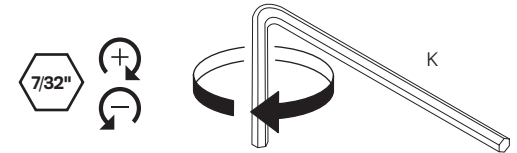
OR



Desk thickness  
up to 1.5" (3.8 cm)



2



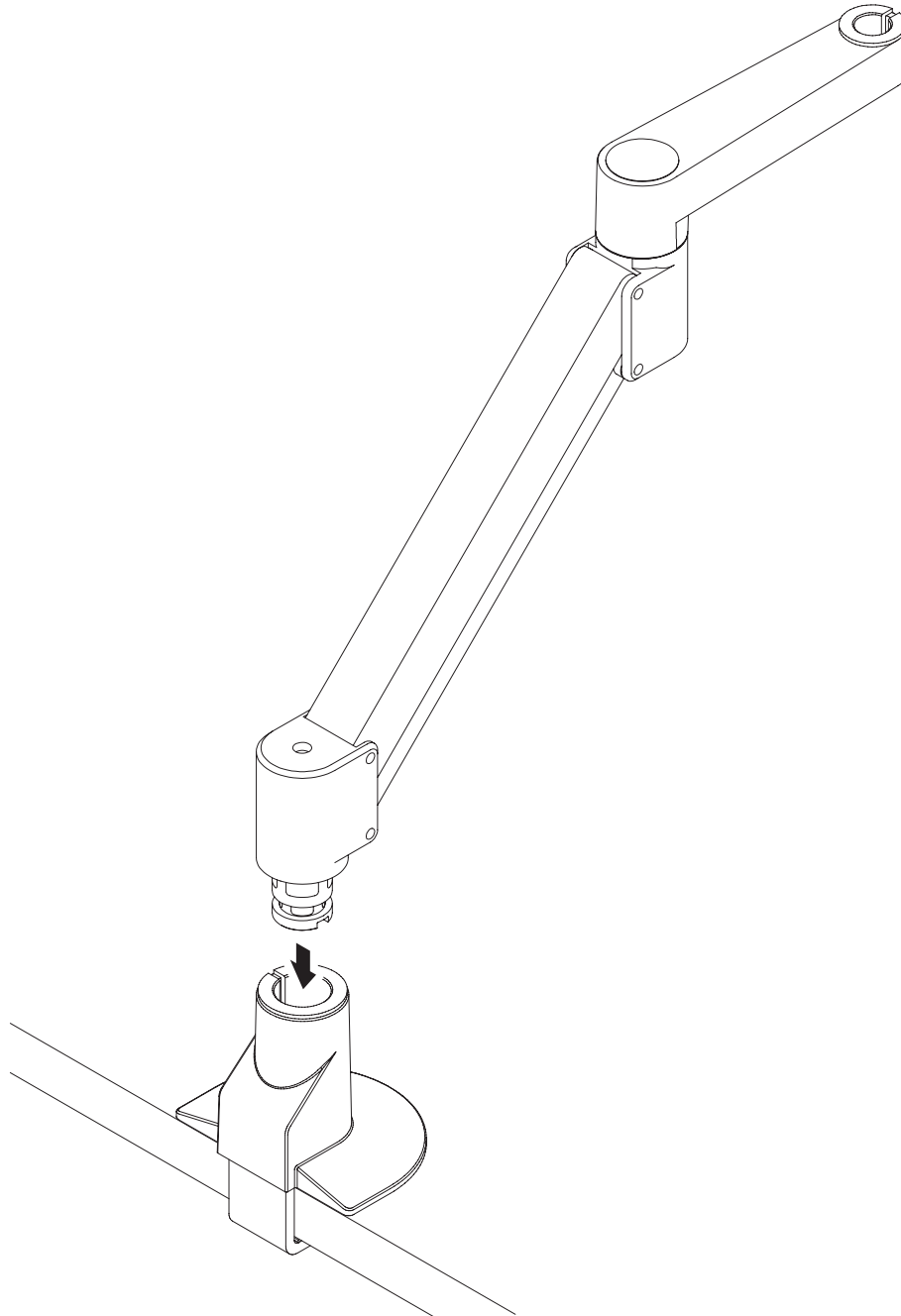
**i** If the monitor arm or pole does not easily fit into the mount, remove the bushing from the mount and place it on the monitor arm or pole and press firmly back into the mount.

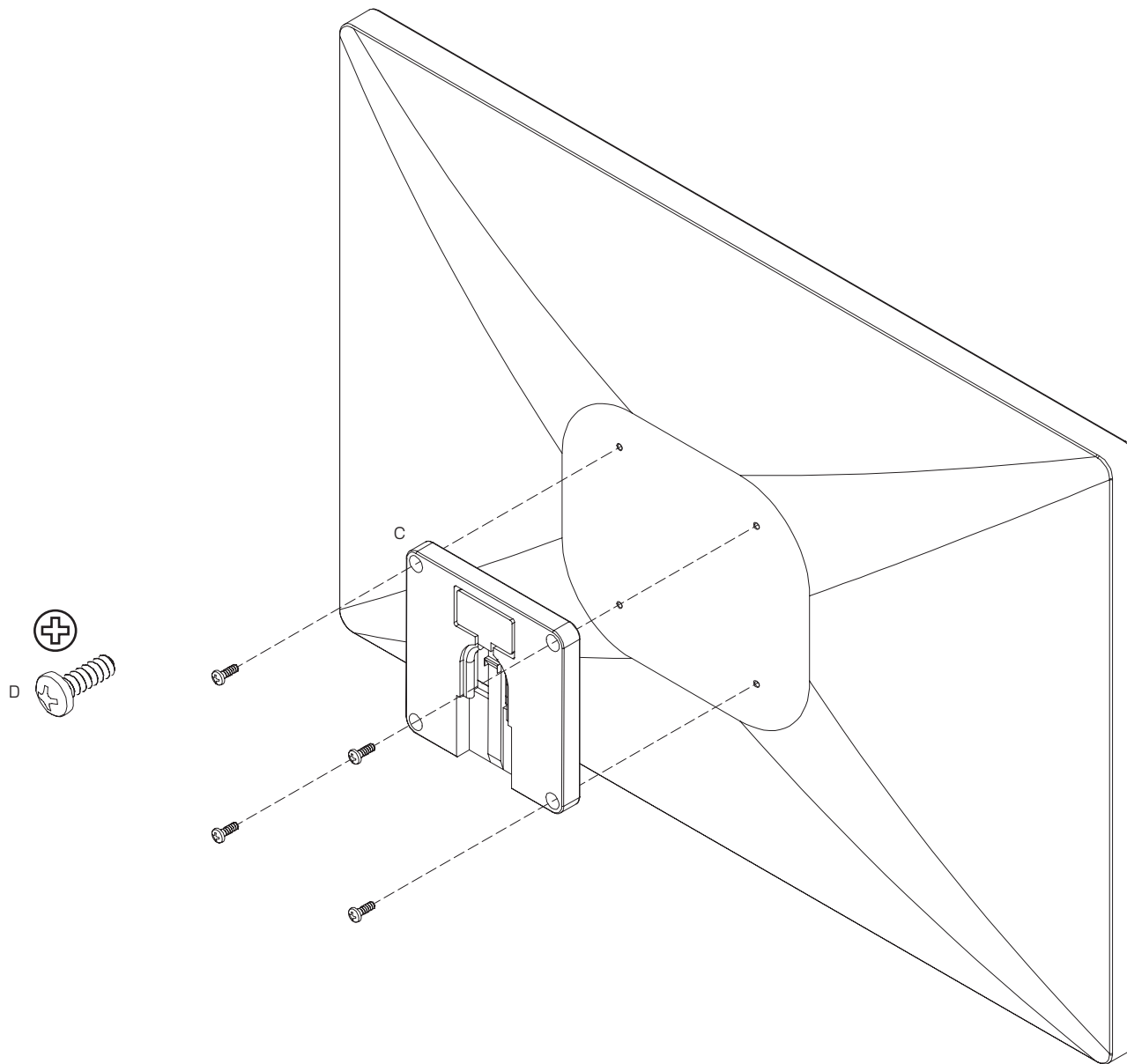
**2a**

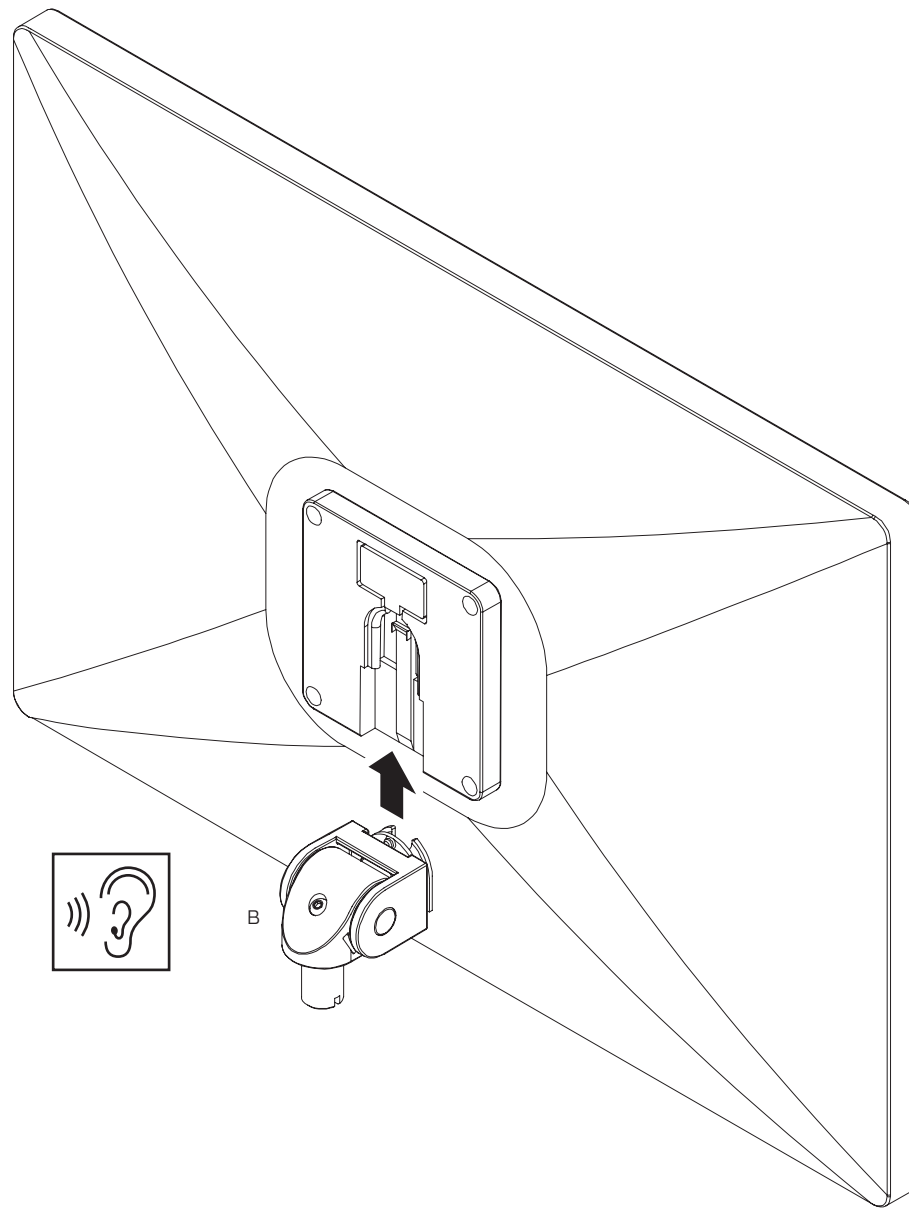
**2b**

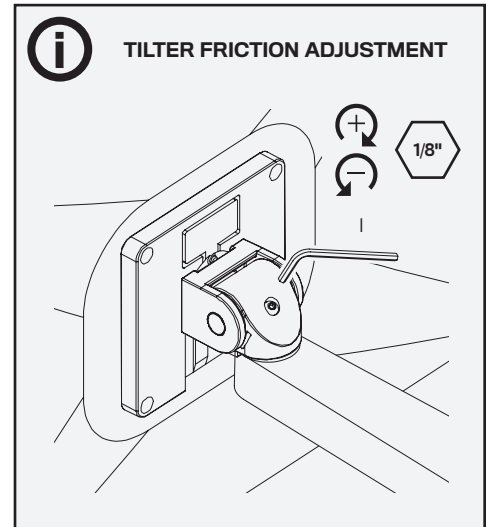
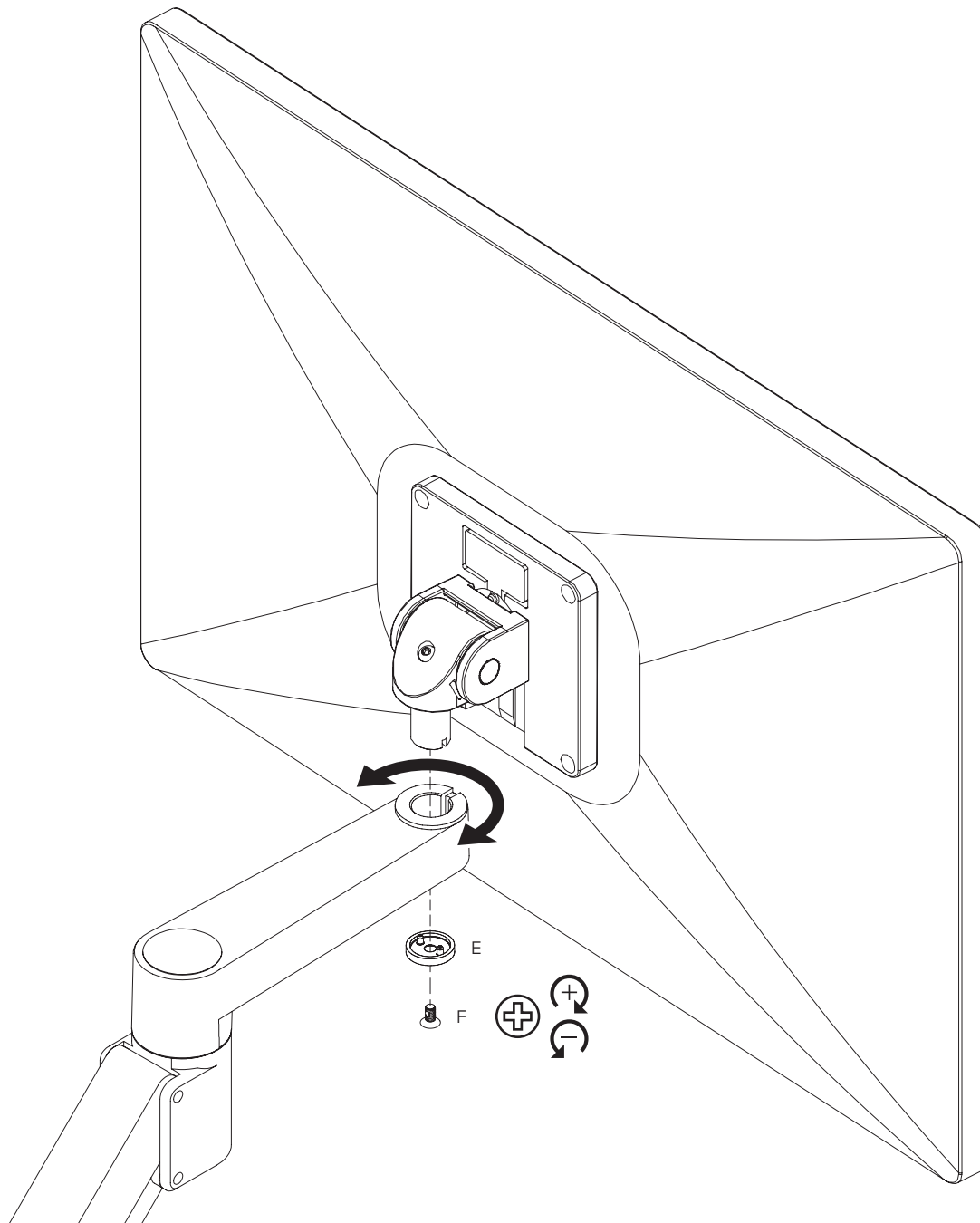
OR

**2c**





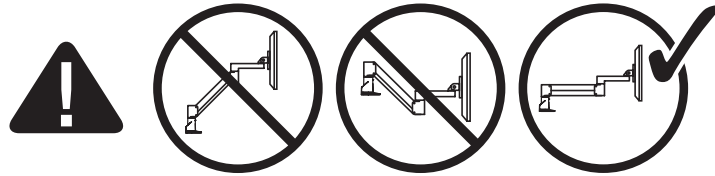




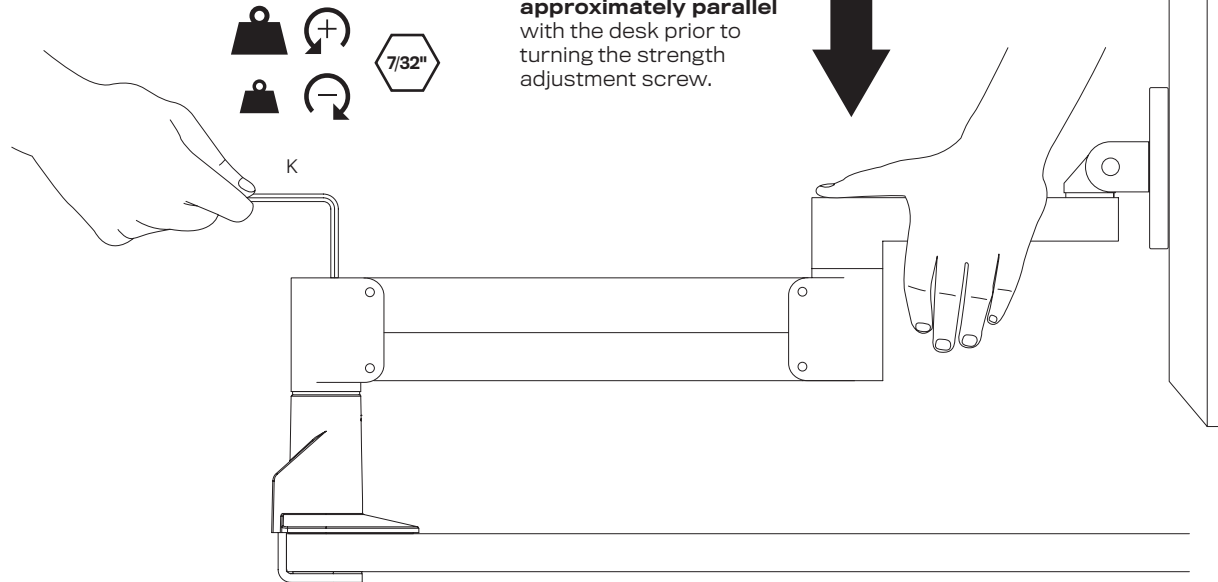
7

**IMPORTANT!**

- Monitor must be on arm
- Arm must be in mount



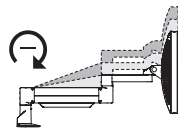
Press the arm down to approximately parallel with the desk prior to turning the strength adjustment screw.



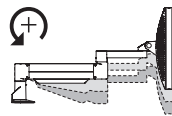
**i Optional Adjustment**

**In some instances,** an additional counterbalance adjustment may be needed to allow the arm's instant height adjustment function to work properly.

If your arm is not staying in position after performing step 7, tighten the adjustment screw as shown.



If the arm **drifts upward**, turn the adjustment screw counter-clockwise.



If the arm **drifts downward**, turn the adjustment screw clockwise.

Depending on the weight of your monitor, **you may have to make 15-20 turns.**



