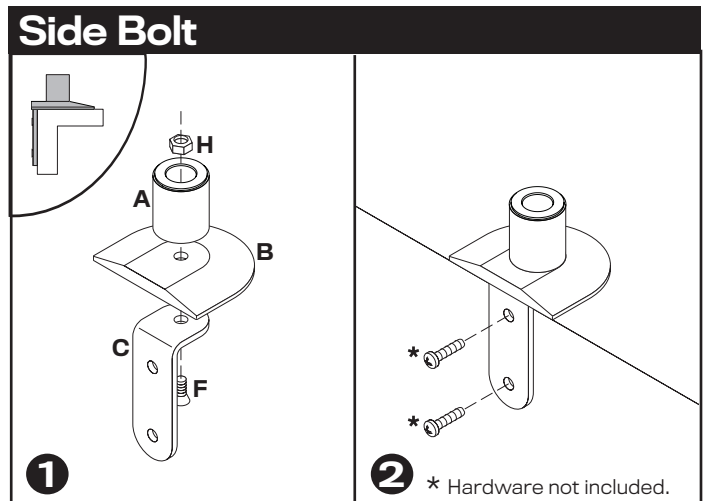
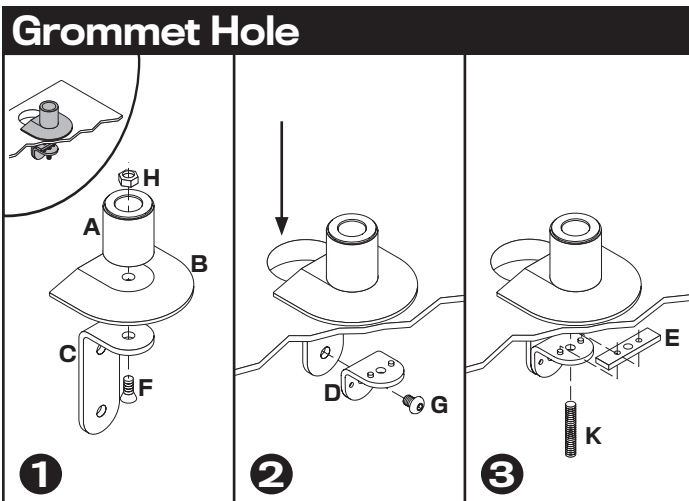
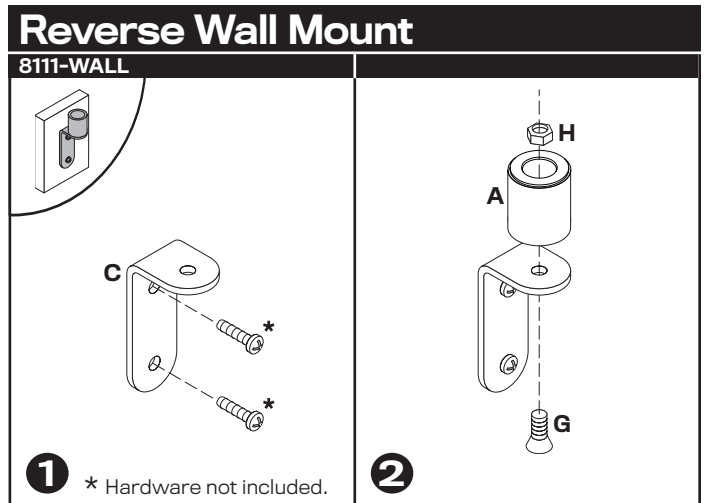
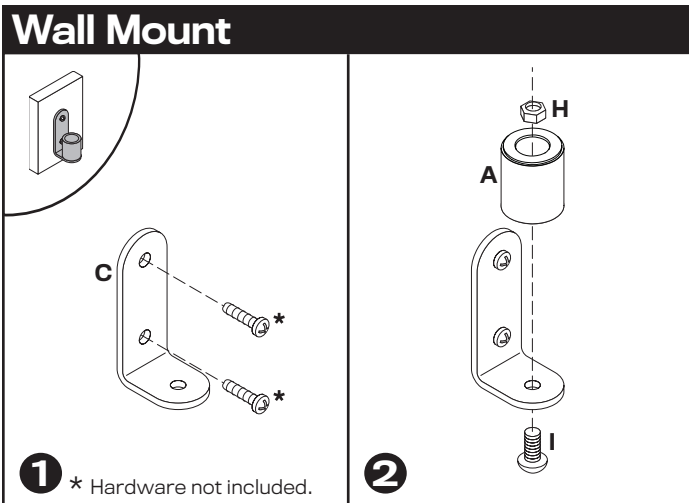
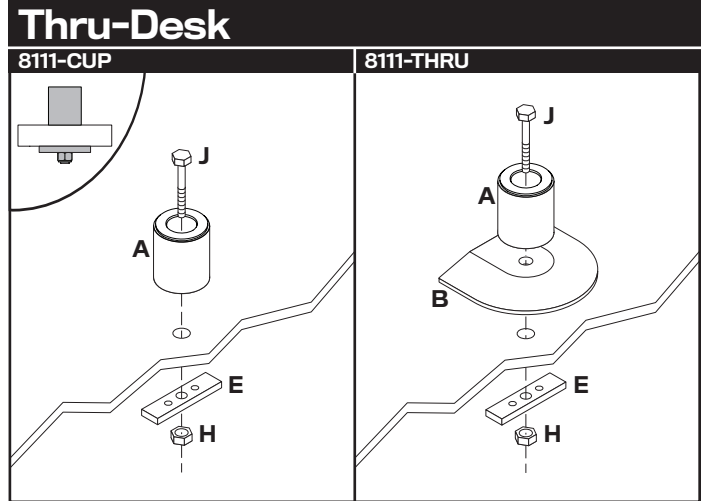
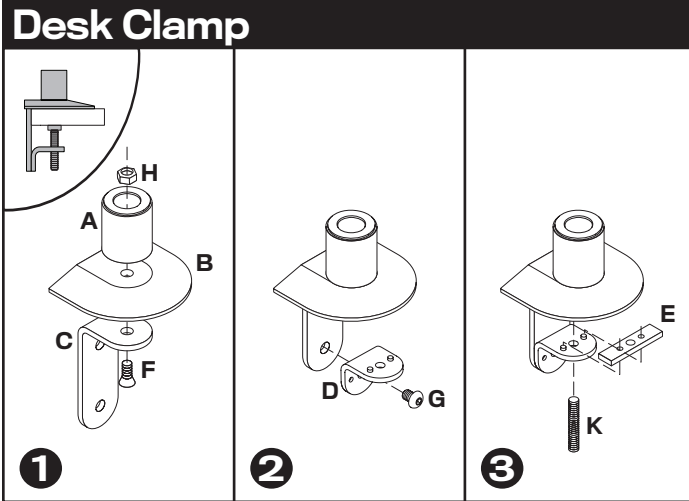
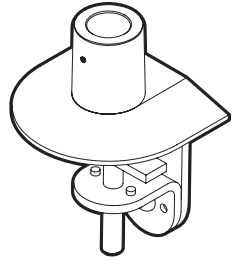


Innovative Ergonomic Solutions companies

# FLEXMOUNT® 8111

## Installation Instructions



# FLEXMOUNT® 8111

## Parts List

ITEM QUANTITY	DESCRIPTION / PART NO.
A 1	Mount Column 401328
B 1	Base Plate 406656
C 1	Large "L" Bracket 701117
D 1	Small "L" Bracket 111728
E 1	Rectangular Spacer 701544
F 1	3/8-16 x 1" Flat Socket Cap Screw 701124

ITEM QUANTITY	DESCRIPTION / PART NO.
G 1	3/8-16 x 1/2" BHSCS 702898
H 1	3/8-16 Nylon Stop Nut 701418
I 1	3/8-16 x 7/8" Button Socket Cap Screw 701122
J 1	3/8-16 x 2-1/2" Hex Head Bolt 700268
K 1	1/2-13 x 3" Socket Set Screw 701126