

# Assembly Instructions

## ⚠ Important ⚠

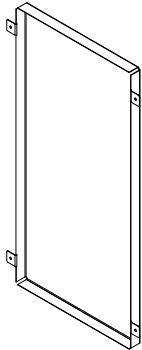
Before you begin, read and comply with all safety and operating instructions, and ensure all parts and correct quantities are included.

Any parts damaged during shipment must be reported within 5 days of receipt. To report information regarding missing parts or damage, to purchase parts or accessories, or if you have any questions, please contact us.

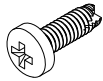
[www.spectrumfurniture.com](http://www.spectrumfurniture.com)

800-235-1262, 715-723-6750

Thank you for purchasing Spectrum products!



(2) 0156610  
Metal leg panel  
assembly



(8) 0100167  
8-32 x 1/2" PH  
Thread cutting

## Metal Leg Panel Inserts - 37347 for Esports Desks

Note: Do not tighten fasteners completely until all have been installed. Keeping them loose will help with alignment during assembly.



### Attach leg panel insert

1. The upper rear screw is shared with the cord channel. If installing onto an existing desk, remove the existing cord channel mounting screw.
2. Attach the panel to the inside of each leg with (4) 8-32 x 1/2" PH Thread cutting screws. **Figure 1.**

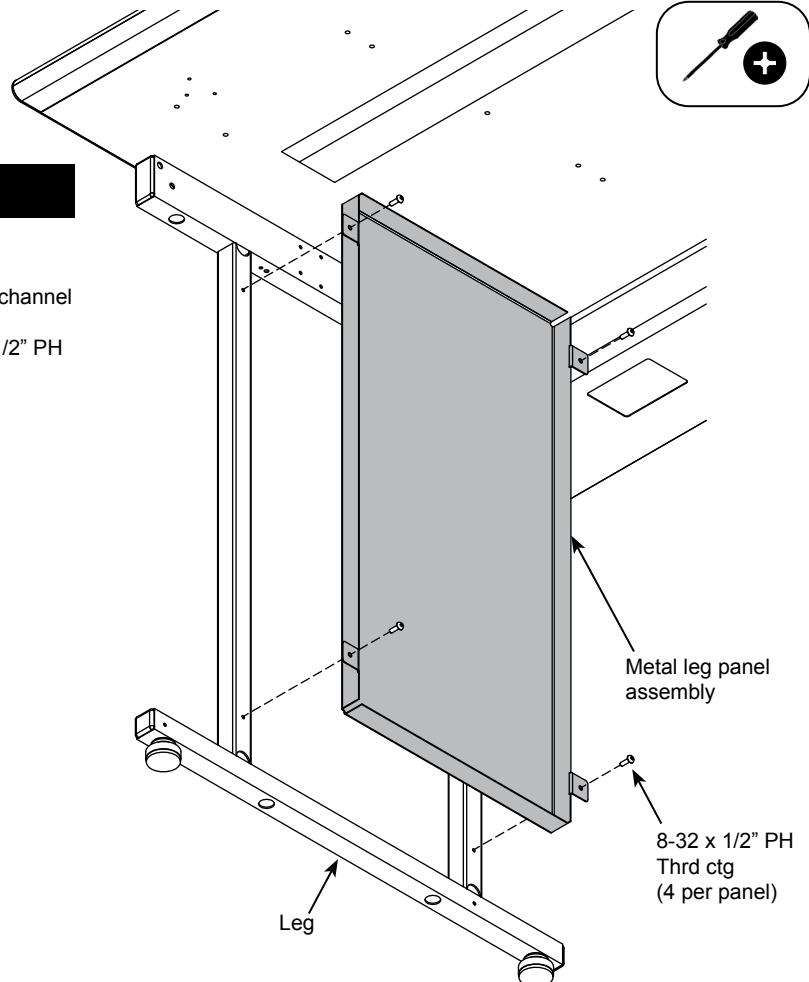


Figure 1