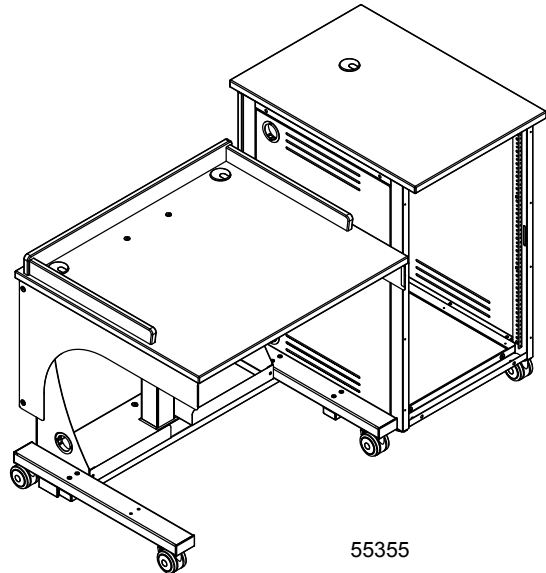
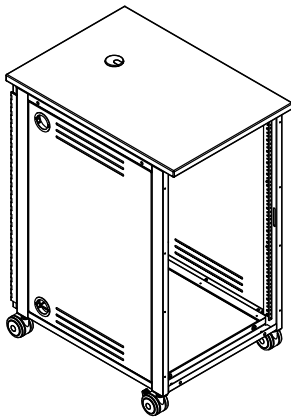


Freedom One™ Sit-to-Stand (S2S) workstation

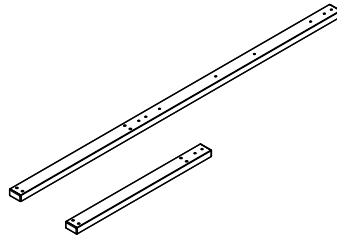
55355	Freedom One Lectern (Includes lectern, equipment rack, and unit-to-unit connector kit)
55366	Equipment rack only
55367	Unit-to-unit connector kit
55368	Freedom One Lectern only



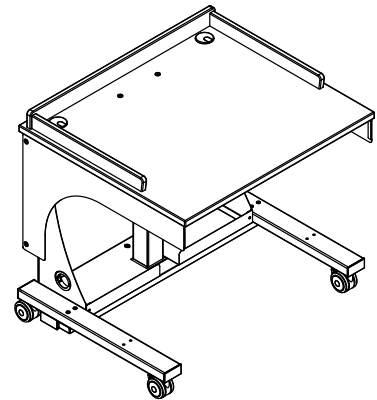
55355



Equipment rack
55366



Unit-to-unit connector kit
55367



Freedom One Lectern
55368



Important

Before using this product:

- Read this manual
- Comply with all safety and operating instructions
- Ensure all parts and correct quantities are included

Any parts damaged during shipment must be reported within 5 days of receipt. To report information regarding missing parts or damage, to purchase parts or accessories, or if you have any questions, please contact us.

Thank you for purchasing Spectrum products!



Important

Avant d'utiliser ce produit:

- Veuillez à lire ce guide
- Respectez les consignes de sécurité et d'utilisation
- Vérifiez que vous disposez de toutes les pièces nécessaires à l'installation

Les pièces endommagées pendant le transport doivent faire l'objet d'un rapport dans les 5 jours de leur réception. Veuillez prendre contact avec nous si des pièces manquent ou sont abîmées, si vous avez des questions, ou encore pour acheter des pièces ou des accessoires.

Merci pour votre achat d'un produit Spectrum!



Importante

Antes de utilizar este producto:

- Lea este manual
- Cumpla con todas las instrucciones de prevención de accidentes y operativas
- Revise que todas las partes y las cantidades correctas estén incluidas

Si alguna parte se dañó durante el embarque, deberá reportarla en un lapso de 5 días a partir de la recepción. Para reportar cualquier información sobre partes faltantes o dañadas, para adquirirlas o comprar accesorios, o bien, si tiene alguna duda, póngase en contacto con nosotros.

¡Gracias por adquirir productos Spectrum!

??



www.spectrumfurniture.com



Owner's Manual
Le manuel du propriétaire
El manual del propietario



Specs
Spécifications
Especificaciones



Video
Vidéo
Vídeo



800-235-1262

⚠ Important Safety and Care Instructions ⚠

- Read these instructions before assembly or operation.
- Do not allow children to move the lectern.
- Proceed slowly and carefully when moving the lectern.
- For indoor use only. Do not install or store the lectern where it will be exposed to moisture.
- Do not block the ventilation openings.
- Avoid uneven loading of the equipment into the lectern. Uneven weight distribution could cause the lectern to tip when the lectern is moving.
- Do not allow anyone to sit, stand, or climb on the lectern.
- Use a damp, soft-cloth, or sponge, with mild soap or detergent solution to clean dirty surfaces. Do not use harsh solvents or abrasives.
- This lectern is intended for institutional use. It does not have any user-serviceable parts or user-maintenance requirements. If servicing is necessary, please contact Spectrum Industries for assistance.

⚠ Warning - Relocating audio and/or video equipment to furniture not specifically designed to support audio and/or video equipment may result in death or serious injury due to the furnishing collapsing or over turning onto a child.

⚠ Warning - Death or serious injury may occur when children climb on audio and/or video equipment furniture. A remote control or toys placed on the furnishing may encourage a child to climb on the furnishing and as a result the furnishing may tip over on to the child.

Electrical Safety:

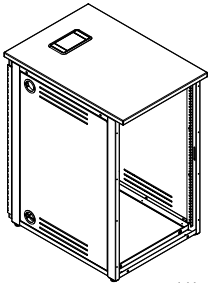
- Do not plug the power cord into an extension cord.
- Inspect power cords for damage before each use. Do not use power cords that are damaged.
- Unplug power cord from electrical outlet by gripping the cord. Do not unplug the power cord by pulling only on the cord.
- Do not step on, drive over, drag, or place objects on the power cord.
- For added safety, plug the lectern into a grounded outlet controlled by a GFI (Ground Fault Interrupter) circuit breaker.
- Electrical devices are not toys. Children are often unaware of the hazards associated with electrical devices. This lectern must always be used by adults or with adult supervision.

⚠ CAUTION ⚠

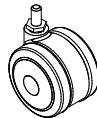
In order to maintain normal operation, do not exceed 38 lb (max) of additional weight on the adjustable worksurface.

When routing cords through the side grommets, be sure to provide enough slack for the worksurface to fully operate through its range of motion.

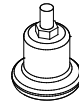
Equipment rack items - 55366



(1) equipment rack



stem casters
(2) 0113748 locking
(2) 0113749

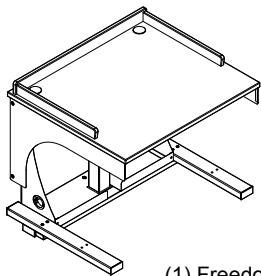


(4) 0114470
3/8-16 x 5/8" bell glide

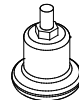


(2) 0103500
2-1/2" plug

Lectern items - 55368



(1) Freedom One Lectern



(4) 0114470
3/8-16 x 5/8" bell glide



(2) 0103500
2-1/2" plug

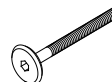
Unit-to-unit connector kit items - 55367



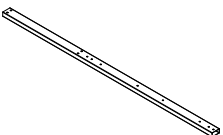
(1) 0113794
short support tube



(4) 052605
1/4-20 x 15mm JC bolt



(6) 038047
1/4-20 x 50mm JC bolt



(1) 0113795
long support tube



(8) 053310
1/4-20 x 40mm JC bolt



(1) 025039
4mm hex wrench

Equipment rack assembly / setup

Attach casters or glides

1. Determine if you want casters or glides installed. Figure 1A.



Figure 1A



Note: Because the equipment rack needs to be flipped upside-down to install the casters/glides, Spectrum does not recommend installing any rack-mount equipment until the rack has been flipped back upright.

2. Carefully flip the equipment rack upside-down.

Free-standing equipment rack

3. For a free-standing equipment rack, install all 4 casters or glides. **Figure 1B.**
4. Flip the equipment rack back upright.

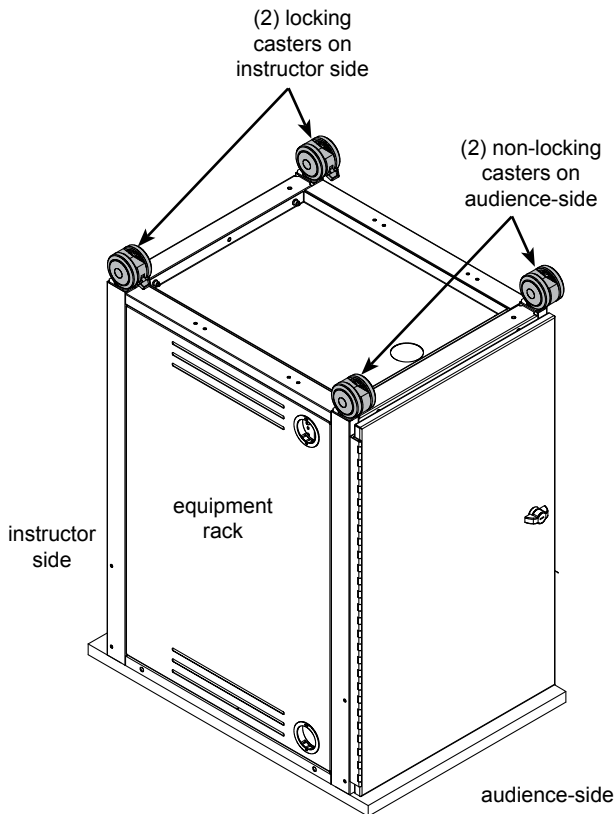


Figure 1B

Equipment rack connected to lectern

3. If the equipment rack will connect to the Freedom One lectern, determine which side of the lectern you plan to attach it. The side of the rack you attach to the lectern will not need (2) casters or glides. This side of the rack will be supported by the lectern. **Figure 1C.**
4. Proceed with the unit-to-unit connector kit assembly/setup instructions on p.5.

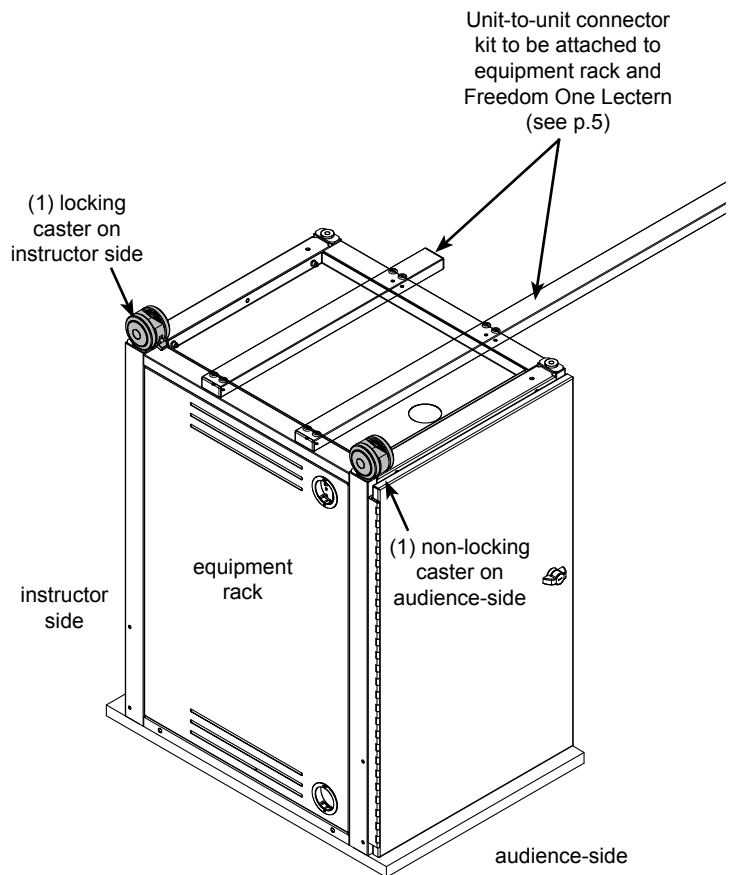
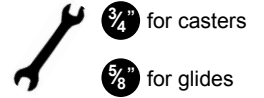


Figure 1C

Lectern assembly / setup

Swapping casters for glides (optional)



Note: The Freedom One Lectern comes with factory-installed casters. If a more permanent non-moving lectern is needed, the casters can easily be replaced with the included glides. **Figure 2A.**

1. Carefully tip up one side of the lectern using blocking. **Figure 2B.**
2. Remove the two casters.
3. Install two glides.
4. Repeat this procedure for the remaining two glides.
5. Remove blocking.

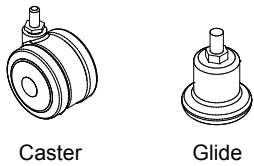


Figure 2A

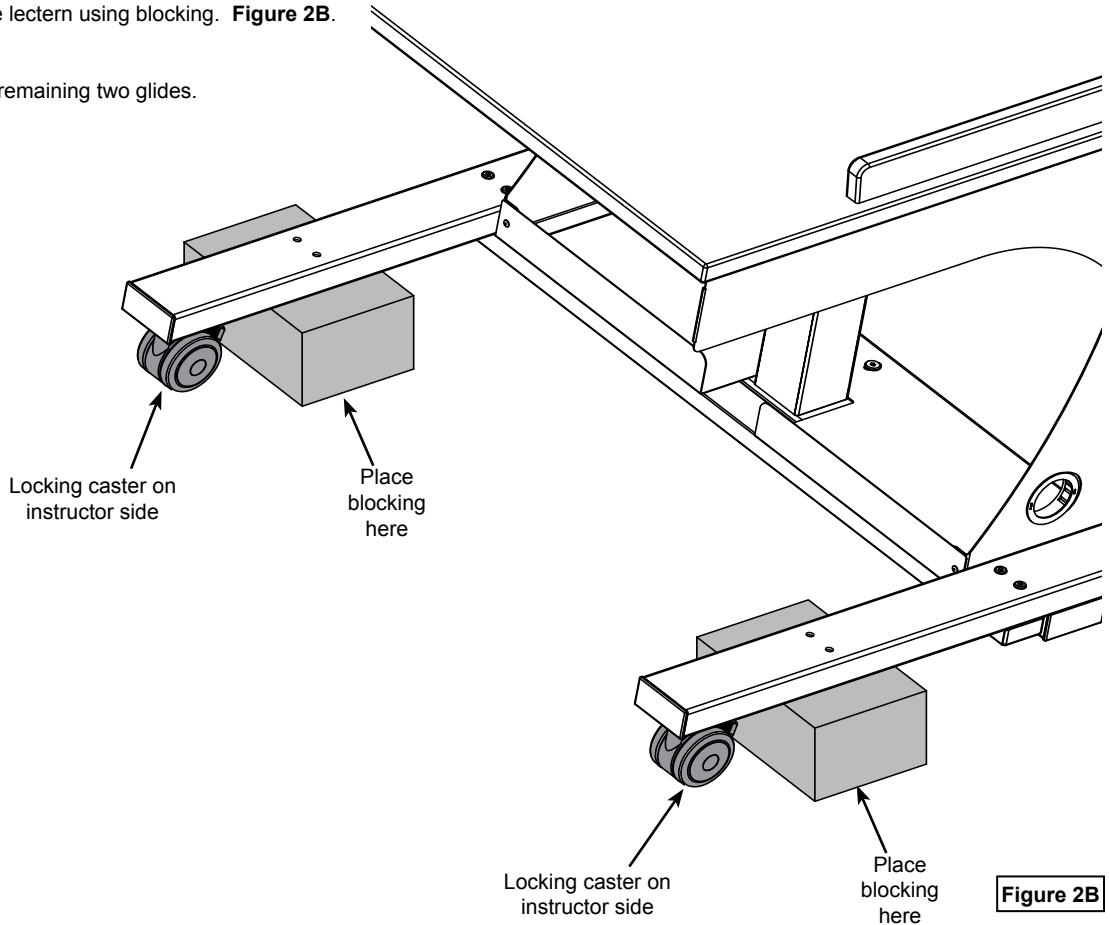


Figure 2B

Column cylinder adjustment

The worksurface extension speed can be adjusted with the cable adjustment nut located on the release handle.

1. To adjust, tighten or loosen the nut 1/2 turn. **Figure 2C.**
2. Push down the worksurface, then pull the release handle to check the worksurface extension speed.
3. Repeat this procedure until the desired extension speed is reached.

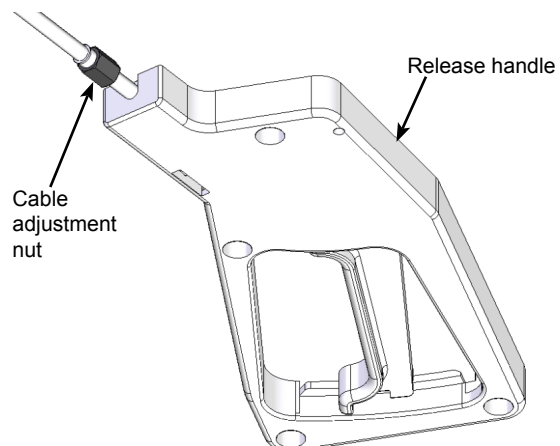
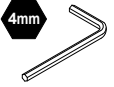


Figure 2C

1. Attach connector kit to equipment rack



1. Determine which side of the lectern you want the equipment rack mounted to.
2. Lay the equipment rack down on the floor with the side opposite the lectern down. **Figure 3A** shows assembly with the equipment rack on the left-side of the lectern.
3. Be sure two casters or glides are installed on the side of the equipment rack away from the lectern (outside). See **Figure 1C** on p.3 for caster/glide installation.
4. Attach the short and long connector tubes with (4) 1/4-20 x 40mm JC bolts each. **Note: The tubes should be pointing upward as shown with the lectern mounting holes facing away from the casters.**
5. Tighten bolts securely.

Note: The unit can be assembled with the equipment rack on the left or right-side of the lectern. These instructions show the equipment rack assembled on the left-side.

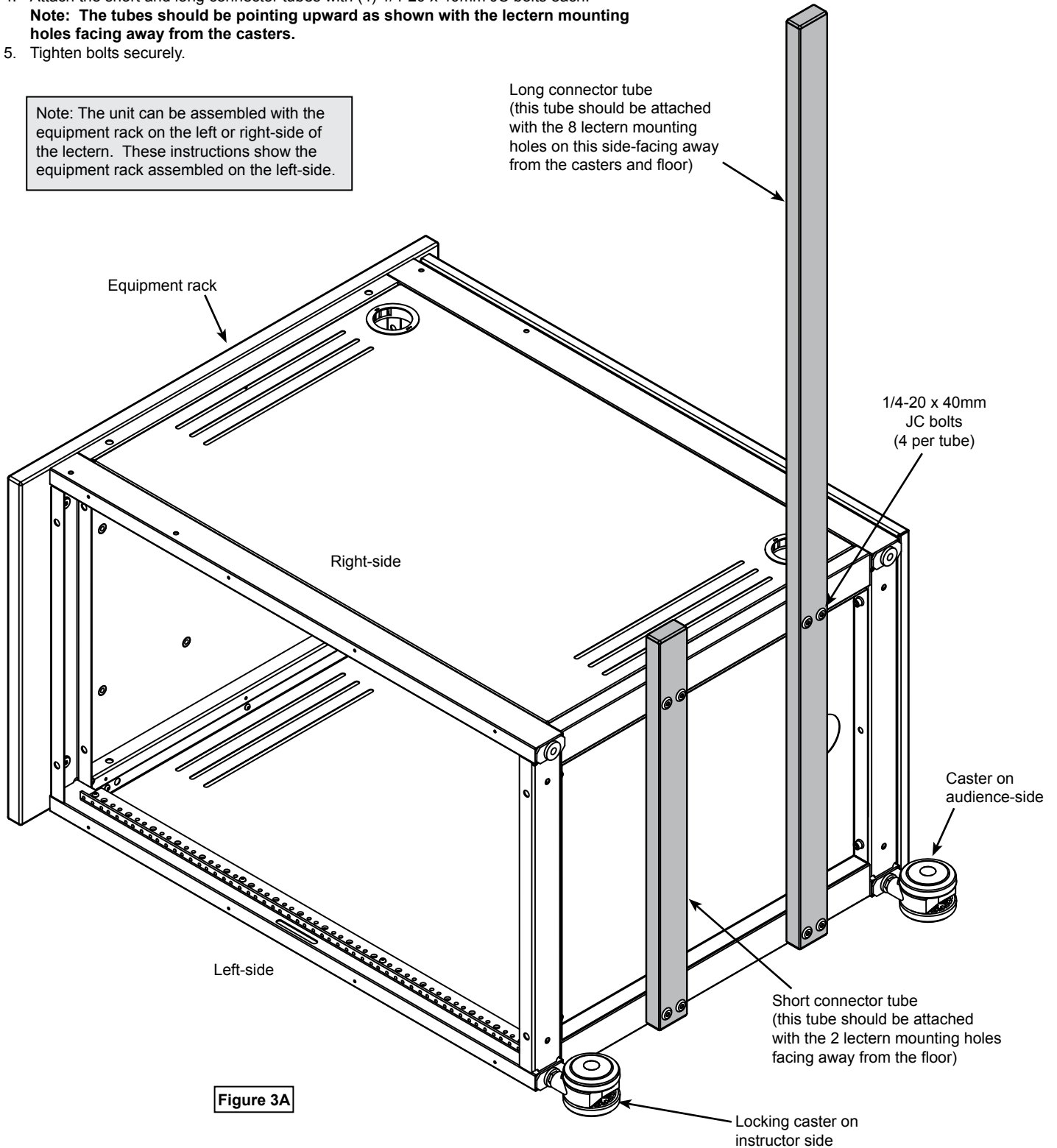
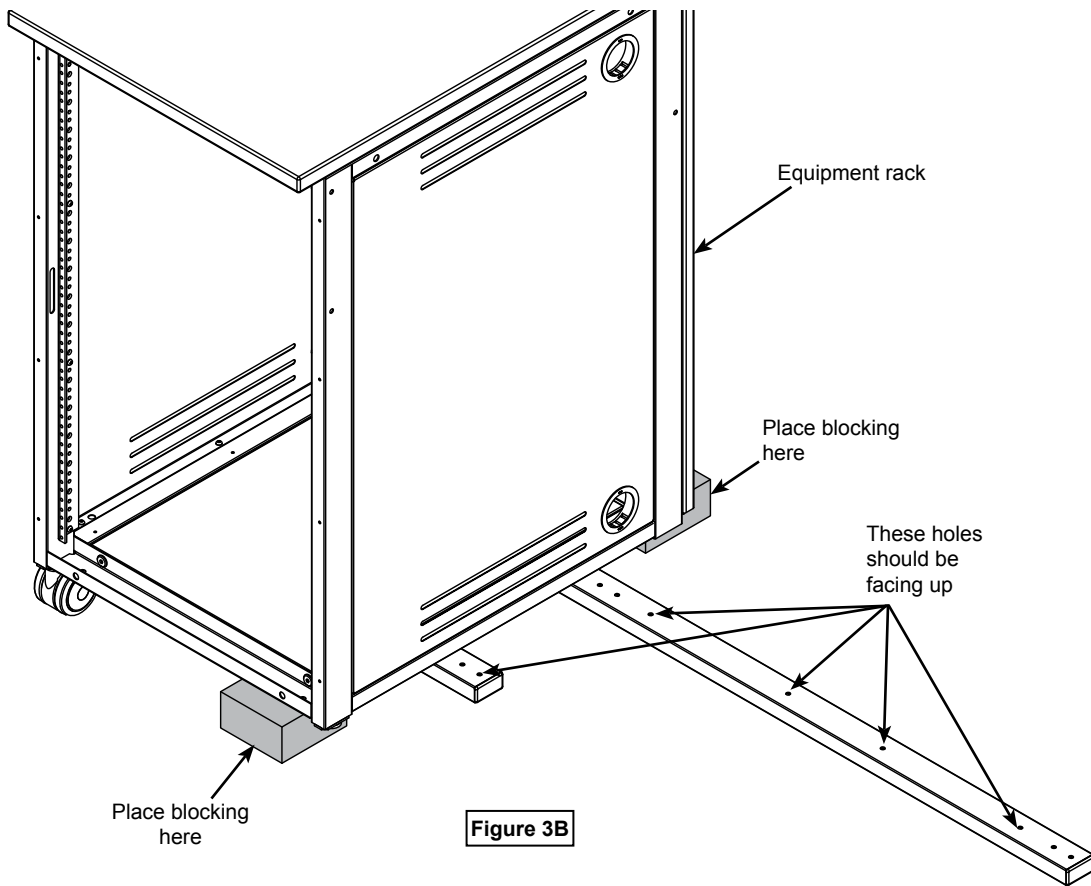
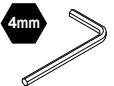


Figure 3A

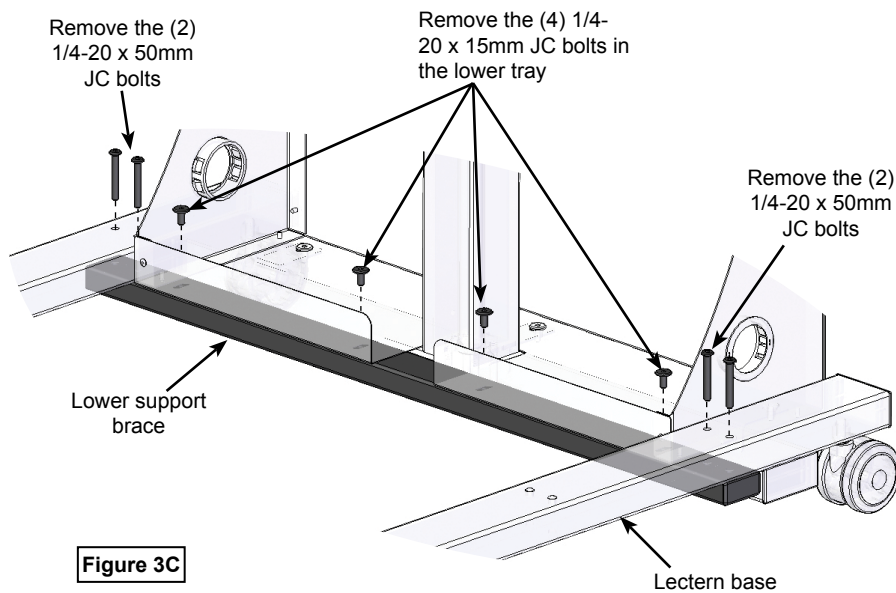
6. Carefully lift and tip up the equipment rack. Be careful not to apply any side load to the casters while tipping as it could cause damage. **Figure 3B.**
7. Place blocking under the equipment rack to support and level the assembly.



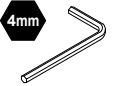
2. Remove existing lower support brace



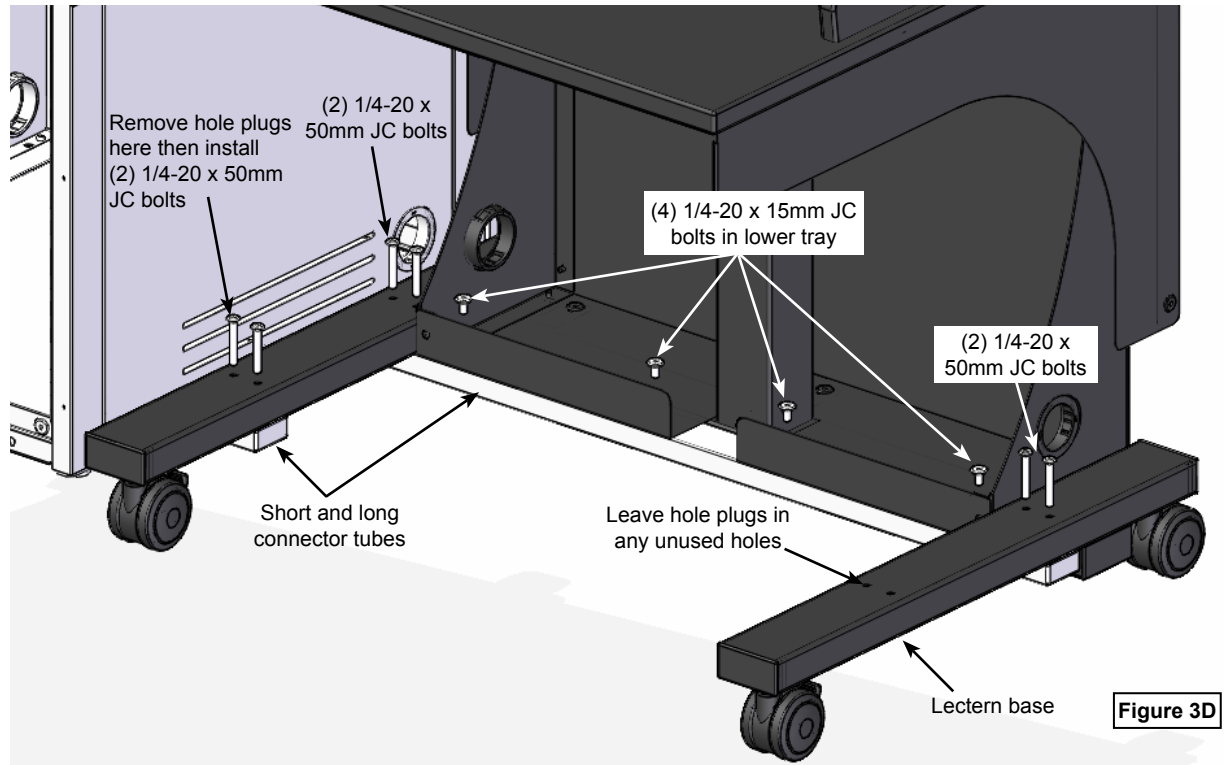
1. On the lectern, locate the existing lower support brace. **Figure 3C.**
 2. Remove the (4) 1/4-20 x 15mm JC bolts from the lower tray.
 3. Remove the (4) 1/4-20 x 50mm JC bolts from the lectern base to take off the support brace.
- Note: This support brace is only needed if the lectern is free-standing and unattached to the equipment rack.



3. Attach lectern to equipment rack



1. Move the lectern over the short and long connector tubes on the equipment rack. **Figure 3D.**
2. Remove the necessary hole plugs in the lectern base.
3. Align the lectern base mounting holes with the connector tubes.
4. Install (4) 1/4-20 x 15mm JC bolts through the lower tray to secure the long connector tube.
5. Install (6) 1/4-20 x 50mm JC bolts into the lectern base to secure to the connector tubes.
6. Tighten all fasteners securely.



Caster operation

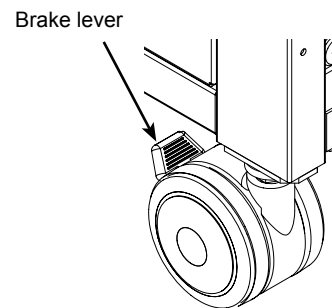
1. To lock the caster rotation, press the brake lever. **Figure 4.**
2. To resume rotation, lift up on the brake lever.

Monitor arms

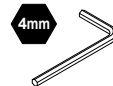
If a monitor arm is to be used, attach to the equipment rack only. Spectrum does not recommend attaching monitors to the adjustable worksurface.

Moving and parking the lectern

- Before moving, unplug all power cords.
- Close and lock equipment rack door(s).
- Remove any items from the top of the worksurface.
- Unlock the casters.
- Push slowly and carefully. Do not move over uneven or irregular surfaces.
- Do not allow children to move.
- Lock the casters after moving.
- Do not park unit in areas of heavy traffic.
- Do not run power cords across hallways, classrooms, or other areas where they will be walked on.
- Do not leave unit unattended in areas where children have access.
- Keep doors closed and locked whenever unit is unattended or parked.
- Keep casters locked whenever the unit is unattended.



Lectern lower modesty panel adjustment



Note: If the modesty panels become misaligned and interference occurs when extending or retracting, follow these steps to adjust.

1. Push the worksurface down to the lowest position. **Figure 5A.**
2. Loosen the (7) 1/4-20 x 15mm JC bolts attaching the lower modesty panel to the base.
3. Slide the lower modesty panel toward the audience-side panel in the slots until it makes contact with the plastic stops, then pull back slightly to create clearance (about 3/8" between the audience-side panel and stops). **Figure 5B.**
4. When the lower modesty panel is positioned correctly, retighten the (7) screws securely.

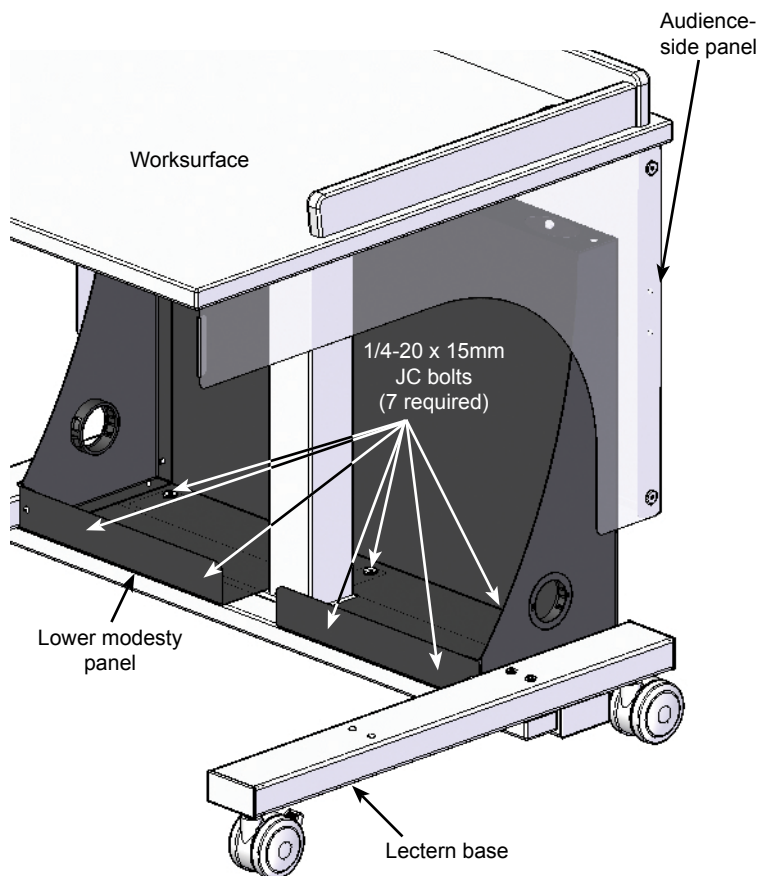
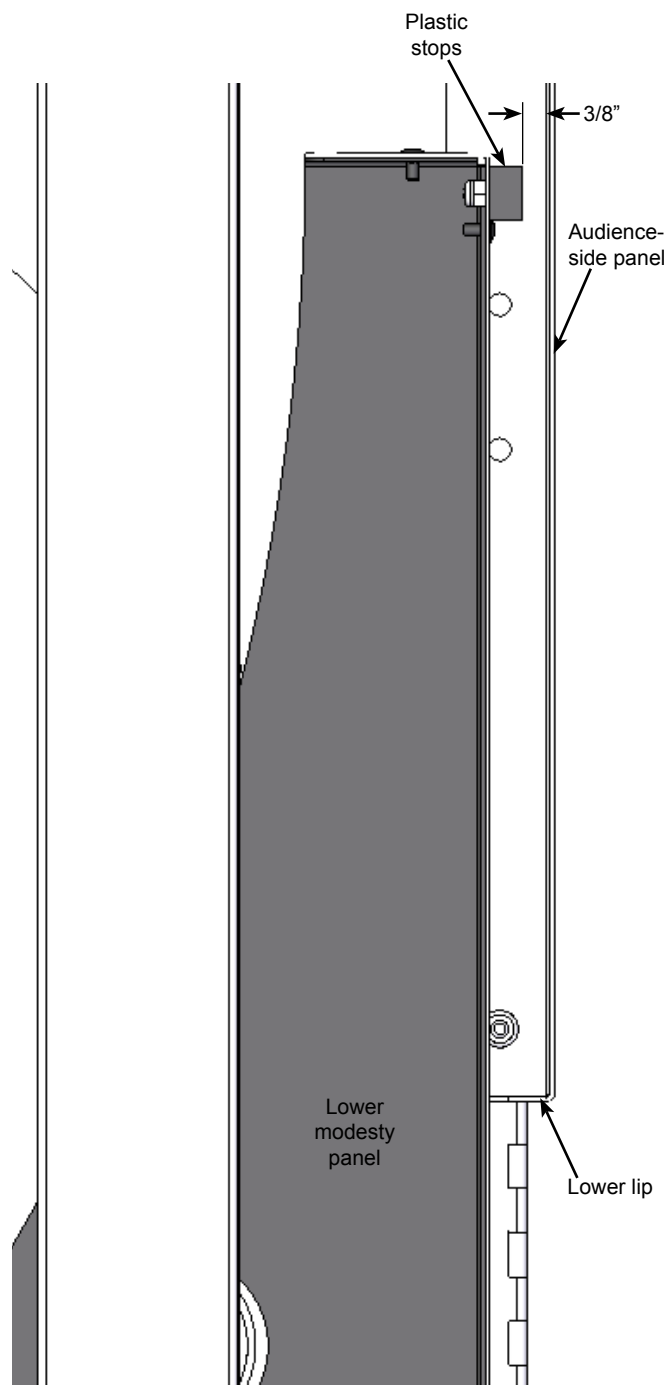


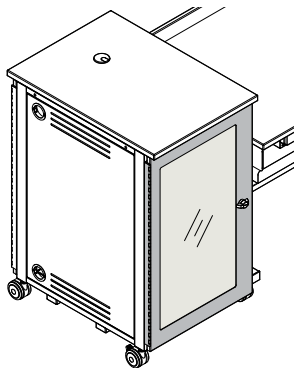
Figure 5A



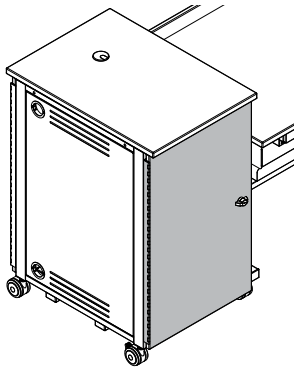
Section view

Figure 5B

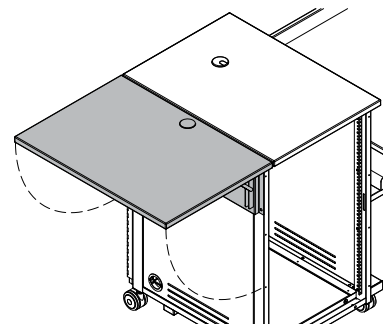
Accessories



Clear Acrylic Locking Door
 (can be mounted to be hinged
 from the left or right-side)
 available in black or silver sparkle
 68153B
 68153S

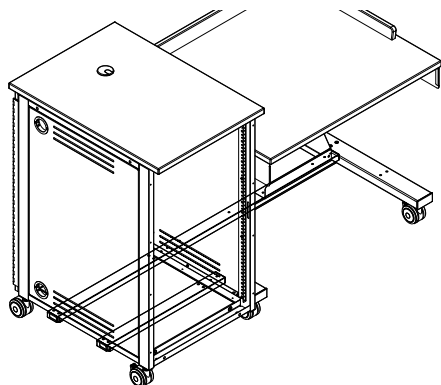


Solid Locking Door
 (can be mounted to be hinged
 from the left or right side)
 available in black or silver sparkle
 68152B
 68152S

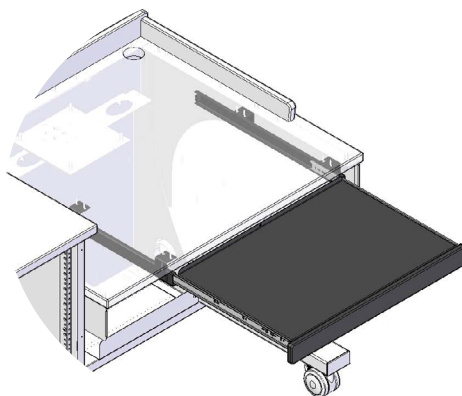


Flip-up Shelf
 21.1875"W x 30"D
 50 lb max capacity
 (mounting plate not
 available in silver)
 68204

Not for use on a stand-
 alone equipment racks

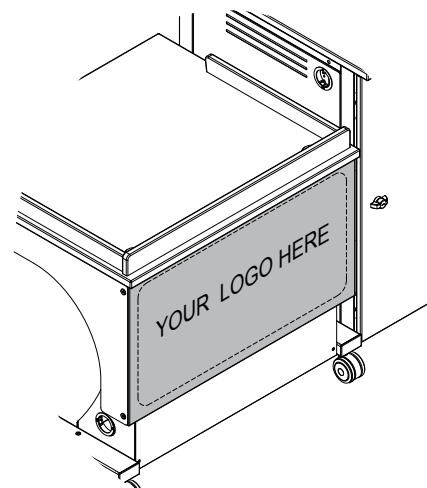


Unit-to-unit connector kit
 for connecting equipment rack to lectern
 (available in black or silver sparkle)
 55367



Keyboard Tray
 22"W x 15.1875"D x 1.1875"H
 (14 lb)
 55356

Note: Worksurface has predrilled holes to
 simplify mounting. See capacity section
 for worksurface weight info. (38 lb max
 weight on adjustable worksurface)



**Customized modesty panel with logo
 for Freedom One Lectern**
 (must be specified when ordering to get panel
 customized-contact Spectrum for details)

See spectrumfurniture.com for the latest
 accessories and detailed warranty information.



Important Safety and Care Instructions



- Read these instructions before assembly or operation.
- Do not allow children to move the lectern.
- Proceed slowly and carefully when moving the lectern.
- For indoor use only. Do not install or store the lectern where it will be exposed to moisture.
- Do not block the ventilation openings.
- Avoid uneven loading of the equipment into the lectern. Uneven weight distribution could cause the lectern to tip when the lectern is moving.
- Do not allow anyone to sit, stand, or climb on the lectern.
- Use a damp, soft-cloth, or sponge, with mild soap or detergent solution to clean dirty surfaces. Do not use harsh solvents or abrasives.
- This lectern is intended for institutional use. It does not have any user-serviceable parts or user-maintenance requirements. If servicing is necessary, please contact Spectrum Industries for assistance.

Warning - Relocating audio and/or video equipment to furniture not specifically designed to support audio and/or video equipment may result in death or serious injury due to the furnishing collapsing or over turning onto a child.

Electrical Safety:

- Do not plug the power cord into an extension cord.
- Inspect power cords for damage before each use. Do not use power cords that are damaged.
- Unplug power cord from electrical outlet by gripping the cord. Do not unplug the power cord by pulling only on the cord.
- Do not step on, drive over, drag, or place objects on the power cord.
- For added safety, plug the lectern into a grounded outlet controlled by a GFI (Ground Fault Interrupter) circuit breaker.
- Electrical devices are not toys. Children are often unaware of the hazards associated with electrical devices. This lectern must always be used by adults or with adult supervision.

Warning - Death or serious injury may occur when children climb on audio and/or video equipment furniture. A remote control or toys placed on the furnishing may encourage a child to climb on the furnishing and as a result the furnishing may tip over on to the child.



Consignes importantes de sécurité et d'entretien



- Lire ce guide d'utilisation avant l'assemblage ou l'utilisation.
- Interdire aux enfants de déplacer le lutrin.
- Déplacer le lutrin lentement et prudemment.
- Utilisation à l'intérieur uniquement. Ne pas assembler et ne pas ranger le lutrin dans un endroit humide.
- Ne pas boucher les prises d'air de ventilation.
- Éviter le chargement mal réparti de l'équipement sur le lutrin. Un chargement mal réparti risque de faire basculer le lutrin en déplacement.
- Interdire à quiconque de s'asseoir, de se tenir debout ou de grimper sur le lutrin.
- Passer un chiffon doux ou une éponge, imbibés de solution nettoyante ou de savon liquide doux, sur les surfaces sales. Ne pas utiliser des solvants rudes ou des abrasifs.
- Ce lutrin est destiné à un usage institutionnel. Il ne contient aucune pièce susceptible d'être réparée par l'utilisateur et ne nécessite aucun entretien de la part de celui-ci. Si une maintenance est requise, communiquer avec Spectrum Industries pour obtenir de l'aide.

Avertissement - Reloger un équipement audio ou vidéo sur un meuble non conçu pour supporter cet équipement pourrait entraîner de graves blessures, voire la mort, à la suite de l'effondrement du meuble ou de sa chute sur un enfant.

Consignes de sécurité en électricité

- Ne pas brancher le cordon d'alimentation sur une rallonge.
- Vérifier que les cordons d'alimentation sont intacts avant chaque utilisation. Ne pas les utiliser s'il sont abîmés.
- Pour débrancher le cordon de la prise murale, saisir son bouton isolant et tirer; ne pas tirer le cordon.
- Ne pas marcher, ne pas rouler et ne pas placer des objets sur le cordon d'alimentation; ne pas le traîner.
- Pour plus de sécurité, brancher le lutrin sur une prise mise à la terre protégée par un disjoncteur de fuite de terre.
- Les appareils électriques ne sont pas des jouets. Les enfants n'ont souvent pas conscience des dangers associés aux appareils électriques. Ce le lutrin doit donc être toujours utilisé par un adulte, ou sous la surveillance d'un adulte.

Avertissement - Un enfant qui grimpe sur un meuble d'équipement audio ou vidéo pourrait subir des blessures graves ou mortelles. Une télécommande ou des jouets placés sur le meuble risquent d'inciter un enfant à y grimper : le meuble pourrait alors basculer et écraser l'enfant.



Instrucciones importantes de prevención de accidentes y cuidado



- Lea este manual del propietario antes de la instalación u operación.
- No permita que los niños muevan el atril.
- Proceda lenta y cuidadosamente al mover el atril.
- Solo para uso en interiores. No instale o guarde el atril donde quede expuesto a la humedad.
- No obstruya las rendijas de ventilación.
- Evite cargar el equipo de forma desigual dentro del atril. La distribución asimétrica del peso podría provocar que el atril se vuelque al momento de moverlo.
- No permita que nadie se siente, pare o suba al atril.
- Para limpiar las superficies sucias, utilice un paño, trapo suave o esponja con jabón neutro o una solución de detergente. No utilice solventes o abrasivos ásperos.
- El uso convencional de este atril es institucional. No contiene ninguna parte que pueda ser reparada por el usuario ni requiere de mantenimiento por parte de éste. Si fuera necesario darle mantenimiento, póngase en contacto con Spectrum Industries para obtener asistencia.

Advertencia: reubicar equipo de audio y/o video a un mueble que no haya sido diseñado específicamente para tal uso, puede provocar la muerte o lesiones graves debido a que puede colapsarse o volcarse sobre un niño.

Prevención de accidentes eléctricos:

- No enchufe el cable de alimentación a un cable de extensión.
- Revise que los cables de alimentación no tengan ningún daño antes de cada uso. No utilice cables de alimentación que estén dañados.
- Desenchufe el cable de alimentación del tomacorriente eléctrico sosteniendo el cable firmemente. No desenchufe el cable de alimentación jalando únicamente del cable.
- No se pare, circule, jale o coloque ningún objeto sobre el cable de alimentación.
- Para mayor seguridad, enchufe el atril a una conexión a tierra controlada por un interruptor de circuito GFI (interruptor de fallas de conexión a tierra).
- Los dispositivos eléctricos no son juguetes. Los niños generalmente no están conscientes de los riesgos asociados con los dispositivos eléctricos. Este atril lo deberán utilizar siempre personas adultas o bajo su supervisión.

Advertencia: existe peligro de muerte o lesiones graves si los niños se suben a un mueble de equipo de audio y/o video. Un control remoto o juguete colocado sobre el mueble puede alentar a un niño a subirse y provocar que el mueble se vuelque sobre el chico.

Product Registration

Dear customer,

Spectrum Industries would like to thank you for your purchase. Please take a moment to register your product for valuable warranty and product information. Locate the product and serial numbers on the label located either on the inside of the front door, or under the main worksurface. Record the numbers here to enter online.

If you have any questions or concerns about the product you received, please contact us.

Product Number:

Serial Number:

1-800-235-1262

Toll-free HELPLINE

spectrum@spectrumfurniture.com



Learn more at:



spectrumfurniture.com/register

Warranty

We will make it right for you!

Spectrum is committed to provide complete customer satisfaction. Each of our products is manufactured from the best materials available and each product is stringently monitored throughout the production process through our Quality Management System.

We expressly warrant that Spectrum products will be of good quality and workmanship and free from defect for the period set out in the warranty table from the date of delivery. This warranty shall not apply to defects or damage resulting from normal wear and tear, misuse, or unintended use, failure to follow instructions related to the product's installation or intended use, abuse, neglect, improper care, modification or repair not authorized by Spectrum, or any other cause outside the control of Spectrum. Spectrum will, at its sole option, either repair or replace the defective product.

See website for complete warranty terms:

spectrumfurniture.com/en/resources/warranty

Item	Warranty Period
Desk, table, cart and lectern chassis	10 Years
Electrical	2 Years
Flat panel monitor arms / gas spring / general parts	2 Years
Adjustable crank / electric legs and accessories	2 Years
Flat panel desk gas spring cylinders	2 Years
Height adjustable columns, lifts & accessories	2 Years
Casters & wheels	2 Years
Keyboard, mouse, trays	2 Years
Locks & keys	2 Years
Tubs, totes and other accessories	1 Year
Chairs	7 Years
Structural components, including gas cylinders, wood, metal and plastic parts (i.e., chair frames, bases and control handles)	
Consumable items (i.e., casters, glides, etc.)	
In-stock upholstery	
Arozzi chairs	2 Years
Customer supplied material	No Warranty



Spectrum Industries Inc.
is Certified ISO 9001:2015