

Assembly Instructions

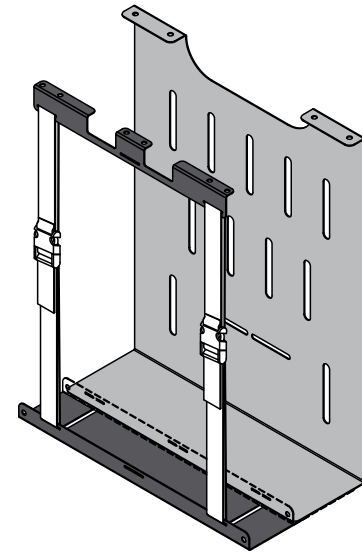
⚠ Important ⚠

Before you begin, read and comply with all safety and operating instructions, and ensure all parts and correct quantities are included.

Any parts damaged during shipment must be reported within 5 days of receipt. To report information regarding missing parts or damage, to purchase parts or accessories, or if you have any questions, please contact us.

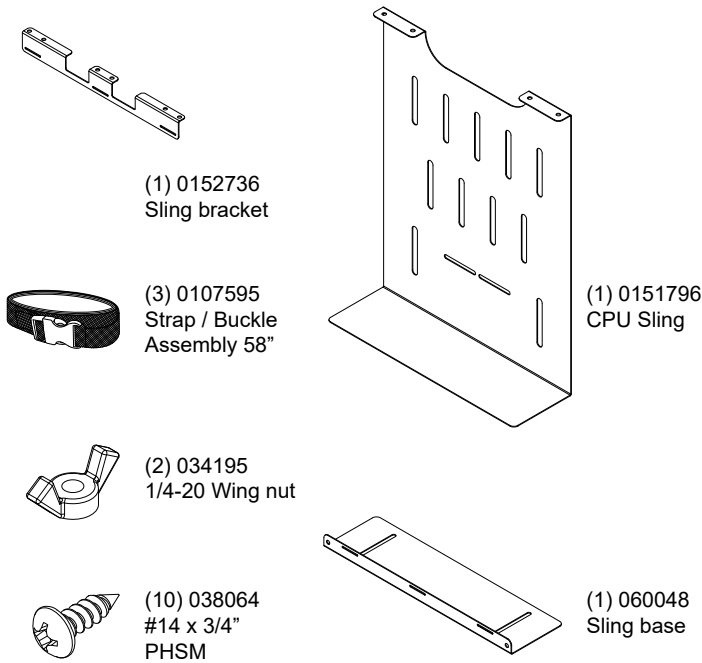
www.spectrumfurniture.com
800-235-1262, 715-723-6750

Thank you for purchasing Spectrum products!



CPU Sling - 37342 For Esports Desk

- Mounts gaming CPU under worksurface on left or right side of desk
- Max CPU size: 5.56" - 9"W x 18"D x 22.31"H
- Not for use on tilting worksurfaces



Assembly tip: Do not tighten component fasteners completely until all have been installed. Keeping them loose will help with alignment between parts during assembly.

1. Attach sling to desk

1. Determine which side of the desk you would like to mount the CPU sling (left or right).
2. Attach the CPU sling and sling bracket to the worksurface underside as shown using (10) #14 x 3/4" PHSM screws and the pre-drilled pilot holes. **Figure 1**. Tighten screws securely.
3. Attach the sling base to the sling with (2) 1/4-20 wing nuts.

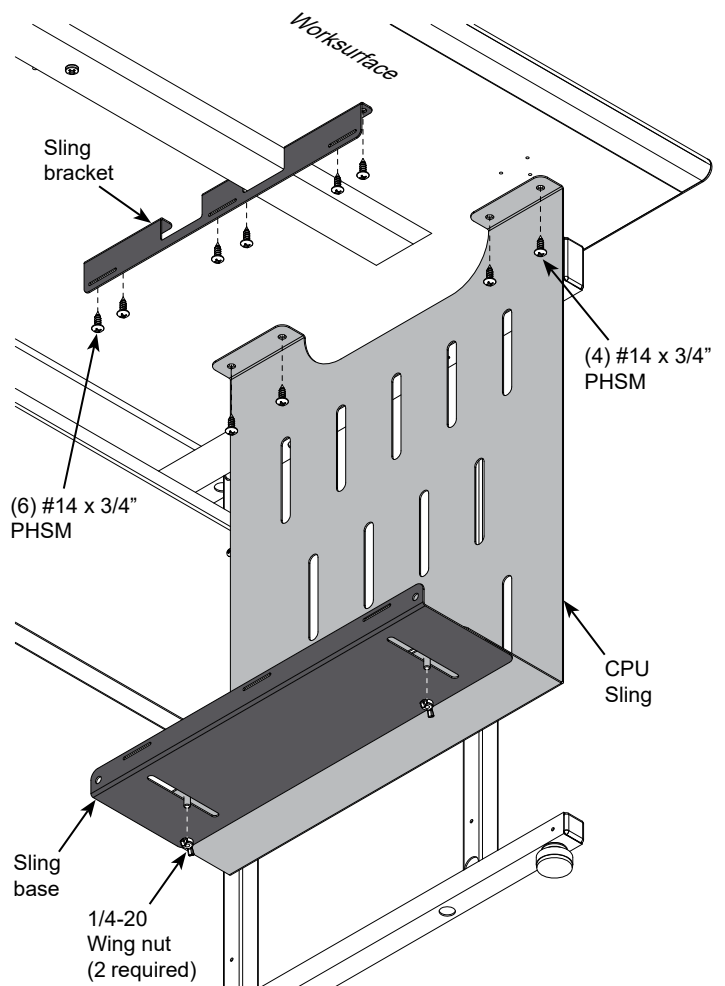


Figure 1

2. Attach straps

1. Thread the (3) straps through the slots in the sling bracket and base as shown in **Figure 2** with the tails hanging down.
2. Thread each strap through the buckles as shown.

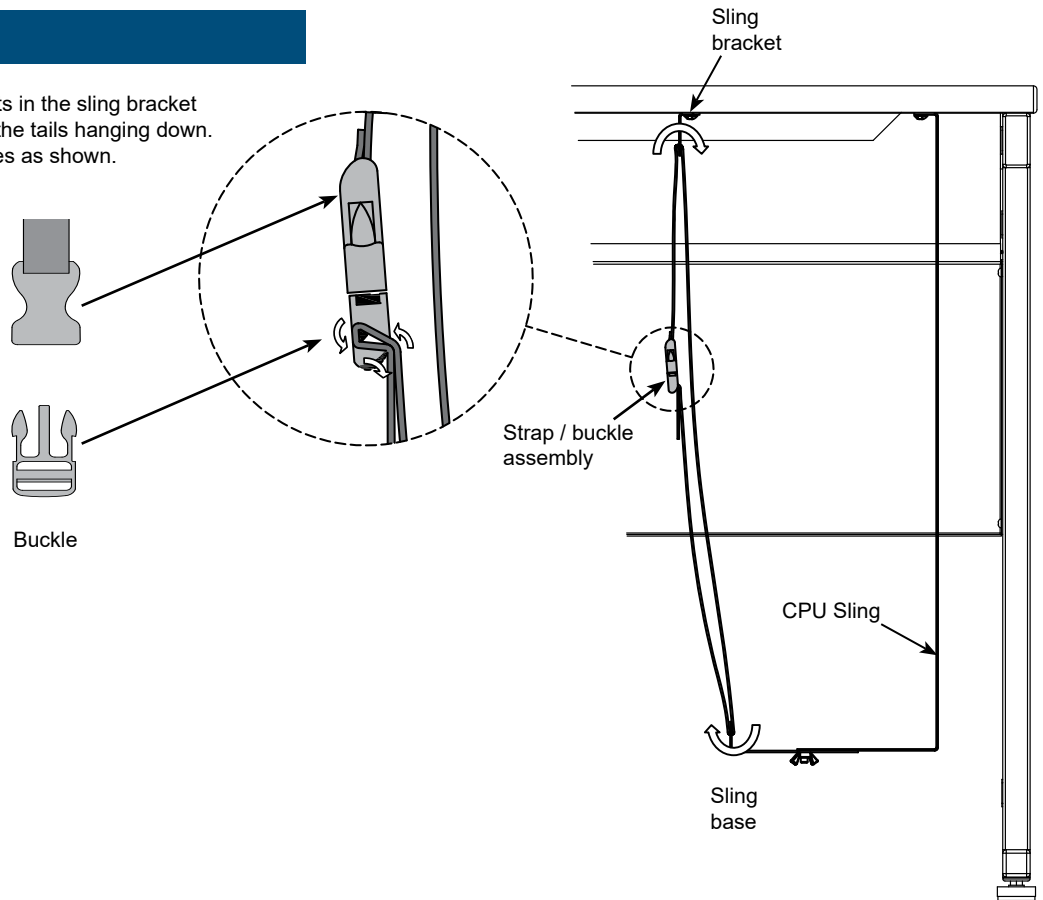


Figure 2

3. Install CPU tower

1. Slide the base to the widest position and carefully place the CPU tower into the sling. **Figure 3**.
2. Slide the base tight against the tower and tighten the two wing nuts.
3. Position all (3) buckles at the same height.
4. Tighten the straps by pulling on tails until the CPU tower and base are level.

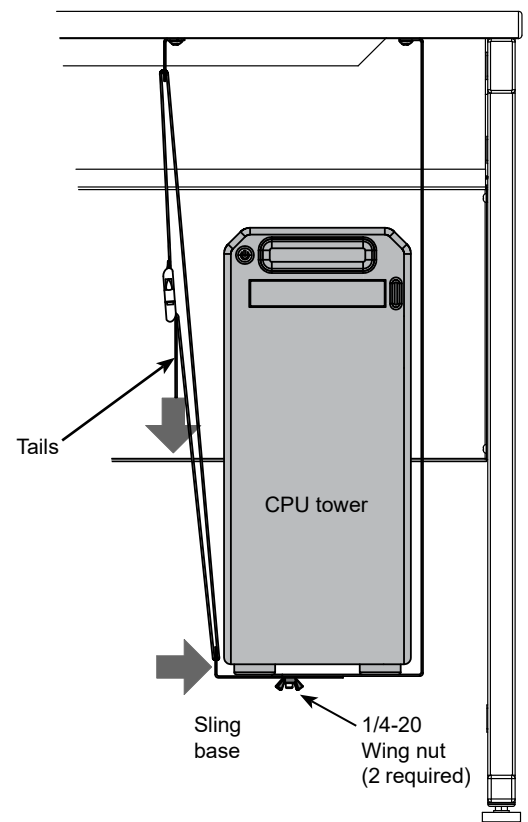


Figure 3