

# Assembly Instructions

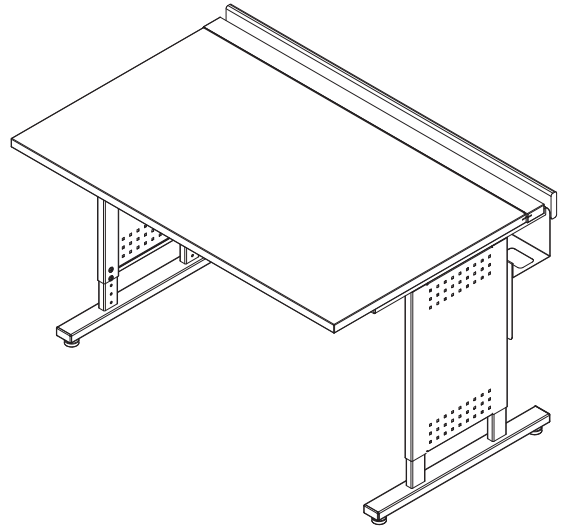
## ⚠ Important ⚠

Before you begin, read and comply with all safety and operating instructions, and ensure all parts and correct quantities are included.

Any parts damaged during shipment must be reported within 5 days of receipt. To report information regarding missing parts or damage, to purchase parts or accessories, or if you have any questions, please contact us.

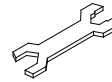
[www.spectrumfurniture.com](http://www.spectrumfurniture.com)  
800-235-1262, 715-723-6750

*Thank you for purchasing Spectrum products!*

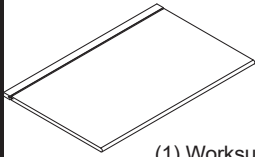


## Esports Evolution Desk

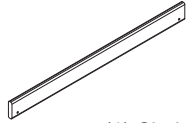
22860 - 44"W  
23211 - 36"W



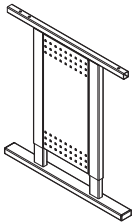
**X2**



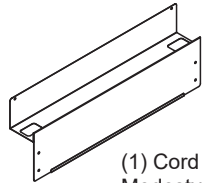
(1) Worksurface w/ support  
0152133 - 44"W x 30"D  
0157885 - 36"W x 30"D



(1) Chair rail  
052469 - 44"W  
052458 - 36"W



(1) 052547 - Right Leg  
(1) 052544 - Left Leg



(1) Cord channel /  
Modesty panel  
052468 - 44"W  
052457 - 36"W



(2) 026011  
1/4-20 x 2" FHMS



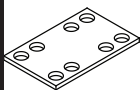
(4) 0101382  
#14 x 7/8" PHSM



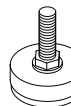
(4) 026064  
1/4-20 x 5/8" PHMS



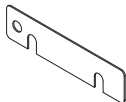
(6) 038064  
#14 x 3/4" PHSM



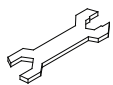
(1) 036281  
Dual unit-to-unit  
bracket



(4) 037779  
5/16-18 x 1"  
Glide



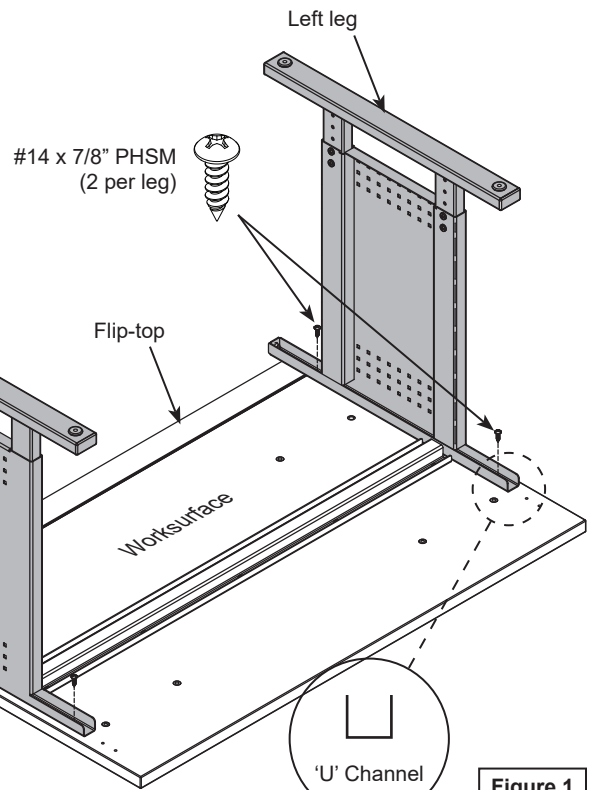
(1) 0167153  
Unit-to-unit bracket



(1) 025069  
Glide wrench



**Assembly tip:** Do not tighten component fasteners completely until all have been installed. Keeping them loose will help with alignment between parts during assembly.



**Figure 1**

## 1 Attach legs to worksurface

- Place the worksurface face-down onto a non-abrasive surface.
- Align the legs with the mounting holes, and install (2) #14 x 7/8" PHSM screws into each leg but do not tighten completely yet.

**Figure 1.**

The side of the leg with the threaded hole should be on the flip-top side



## 2 Install cord channel / modesty panel and glides

1. Orient the modesty panel/cord channel as shown and attach to the legs with (4) 1/4-20 x 5/8" PHM screws. **Figure 2.1.**
2. Install the (4) glides to the bottom of the legs. The glides can be adjusted later to keep the desk level on uneven surfaces.
3. Tighten ALL screws.

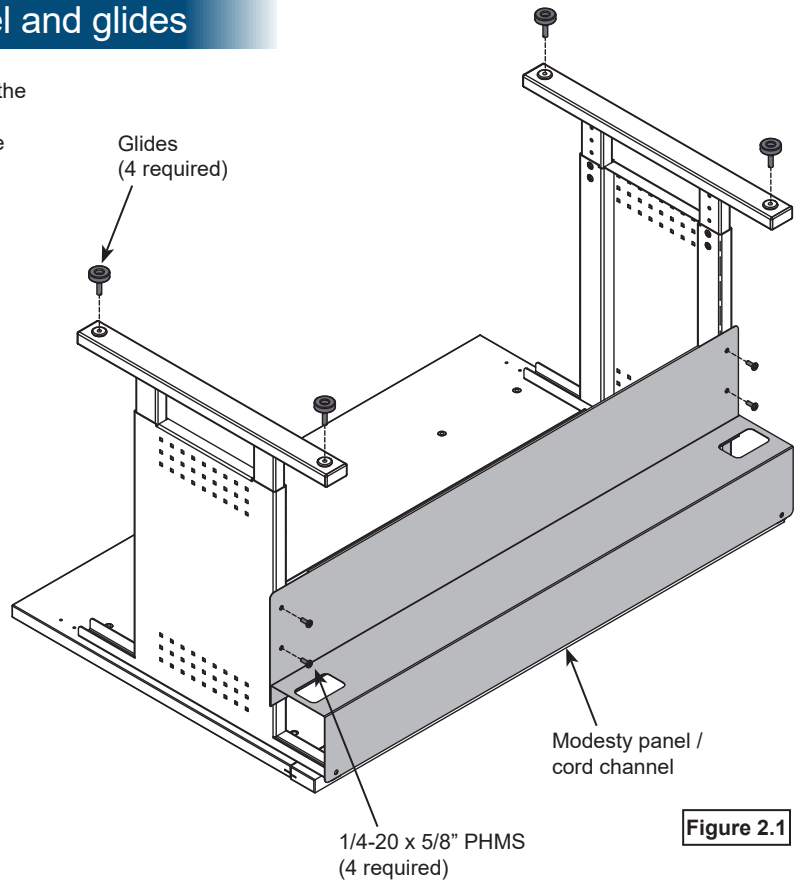


Figure 2.1

## Leg adjustment

The worksurface height can be adjusted from 24"H - 32"H in 1" increments.

**Figure 2.2.** Adjustment is easier when the desk is upside-down.

1. To adjust the legs, remove the (4) pre-installed adjustment screws. (Fully-support the lower section of the leg while removing). **Figure 2.3.**
2. Choose a height and align the corresponding set of leg holes.
3. Install the (4) previously removed screws in the new holes and tighten securely.
4. Repeat this procedure on the second leg. Make sure to use the same set of holes as used on the first leg.

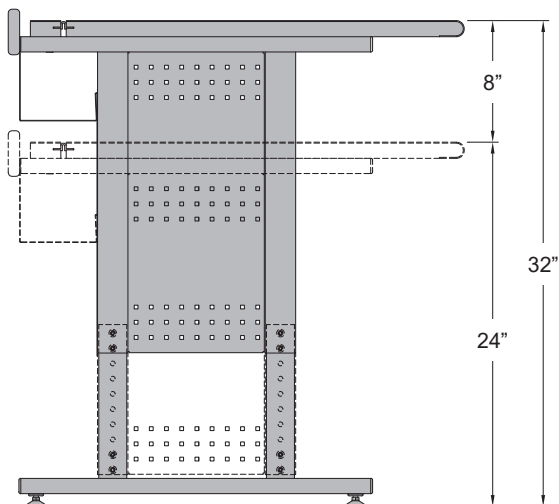


Figure 2.2

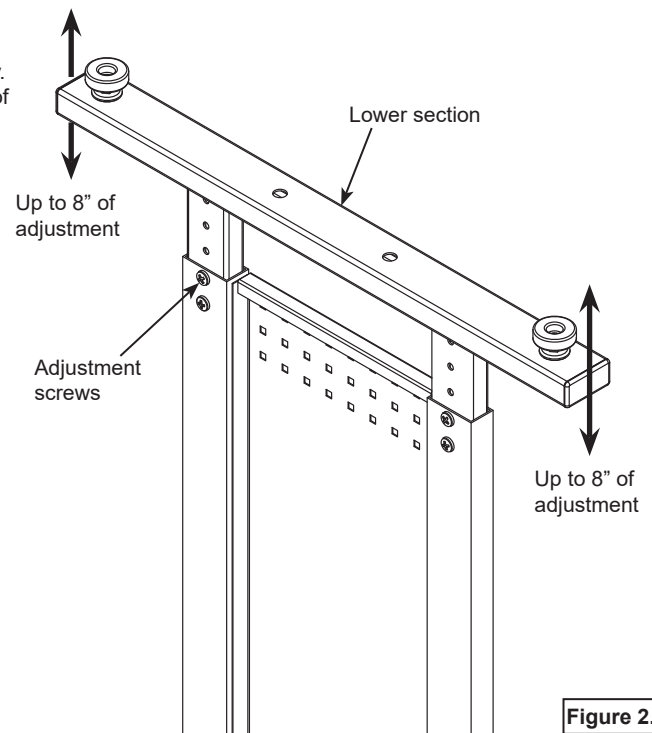


Figure 2.3

### 3 Attach chair rail

1. Carefully flip the desk upright-this will require at least two people.
2. Attach the chair rail with (2) 1/4-20 x 2" FHM screws as shown. Note the chair rail should extend above the worksurface, and the countersunk holes should be on the outside. **Figure 3.1, 3.2.**
3. Tighten all screws securely.

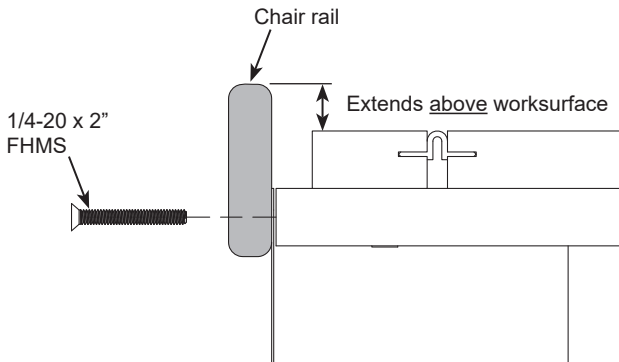


Figure 3.1

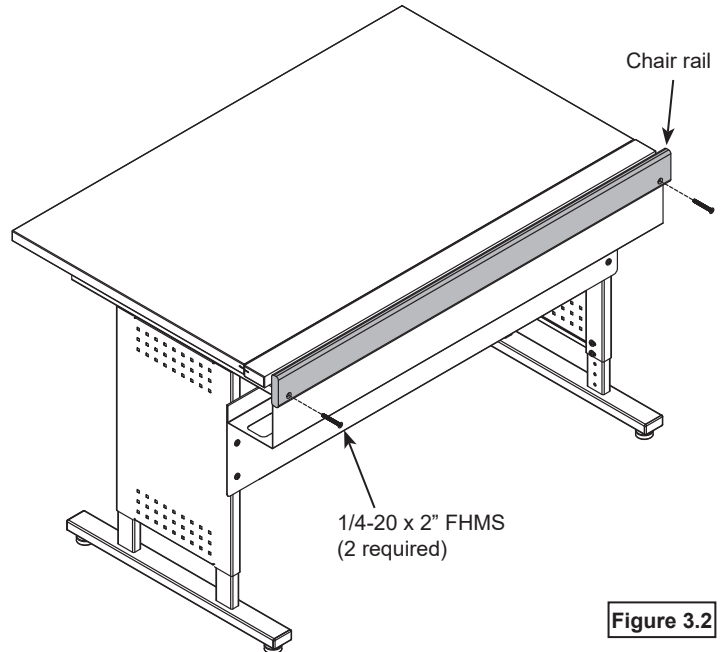


Figure 3.2

### 4 Attaching desks together (optional)

Two desks can be attached together with the included unit-to-unit brackets.

1. Locate the desks next to each other in their final position.
2. Attach the unit-to-unit bracket to the rear of the legs (behind cord channel) using the existing cord channel screws. (Loosen screws to install, then re-tighten).
3. Attach the dual unit-to-unit bracket to the underside of both worksurfaces using (4) #14 x 7/8" PHSM screws.
4. Tighten all screws securely.

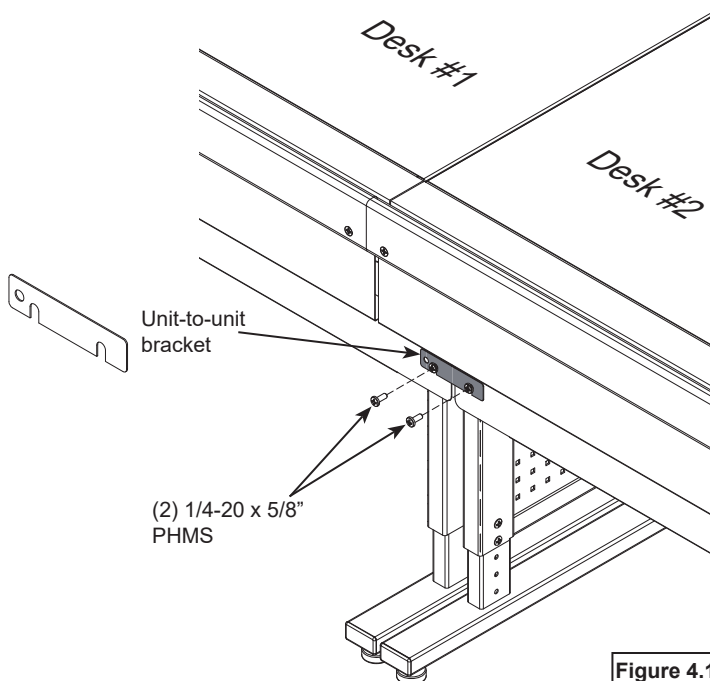


Figure 4.1

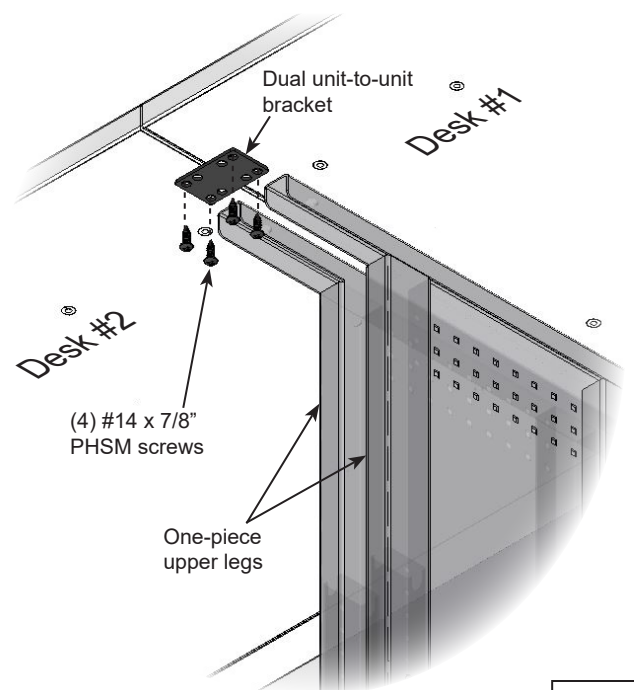


Figure 4.2

## Warranty

### **We will make it right for you!**

Thanks for choosing Spectrum! Spectrum is committed to provide complete customer satisfaction. Each of our products is manufactured from the best materials available and each product is stringently monitored throughout the production process through our P.A.C.E. program (Product Assurance to meet Customer Expectations).

We expressly warrant that Spectrum products will be of good quality and workmanship and free from defect for the period set out in the warranty from the date of delivery.

**For a listing of all product specific warranty terms please visit our website at:**

<https://www.spectrumfurniture.com/en/resources/purchasing-terms-warranty>

**1-800-235-1262**

Toll-free HELPLINE

**[spectrum@spectrumfurniture.com](mailto:spectrum@spectrumfurniture.com)**