

Assembly Instructions

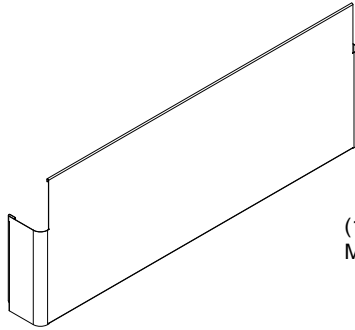
⚠ Important ⚠

Before you begin, read and comply with all safety and operating instructions, and ensure all parts and correct quantities are included.

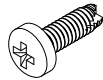
Any parts damaged during shipment must be reported within 5 days of receipt. To report information regarding missing parts or damage, to purchase parts or accessories, or if you have any questions, please contact us.

www.spectrumfurniture.com
800-235-1262, 715-723-6750

Thank you for purchasing Spectrum products!



(1) 0151848
Modesty Panel



(4) 0100167
8-32 x 1/2" PH Thrd ctg

1. Remove existing support panel

1. Remove the (4) 8-32 x 1/2" PH thread-cutting screws securing the existing support panel to the legs. **Figure 1.**

2. Install modesty panel

1. Hang the top lip of the modesty panel over the cord channel. **Figure 2.1.**
2. The modesty and support panels share the same mounting screws. Place the support panel "inside" the modesty panel mounting flanges and align all mounting holes with the leg holes.
3. Secure to each leg with (2) 8-32 x 1/2" PH thread-cutting screws. Do not tighten the screws completely until all screws are installed- this will help with the alignment.

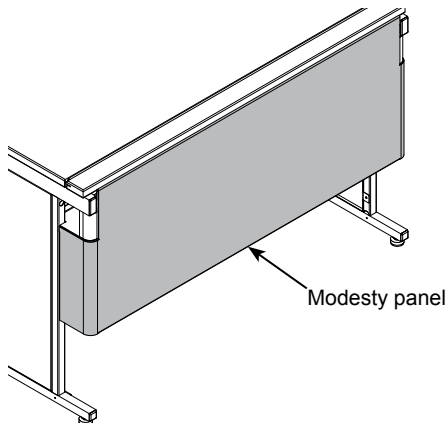
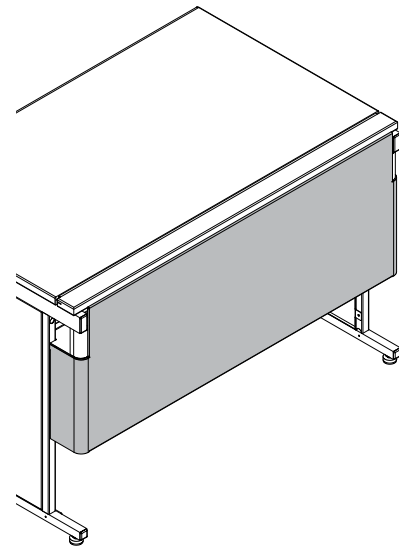


Figure 2.1



Modesty Panel - 37345 for Esports Desks

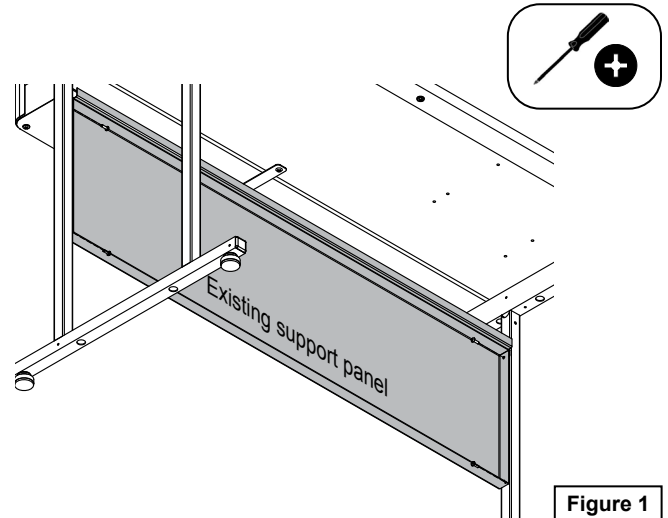


Figure 1

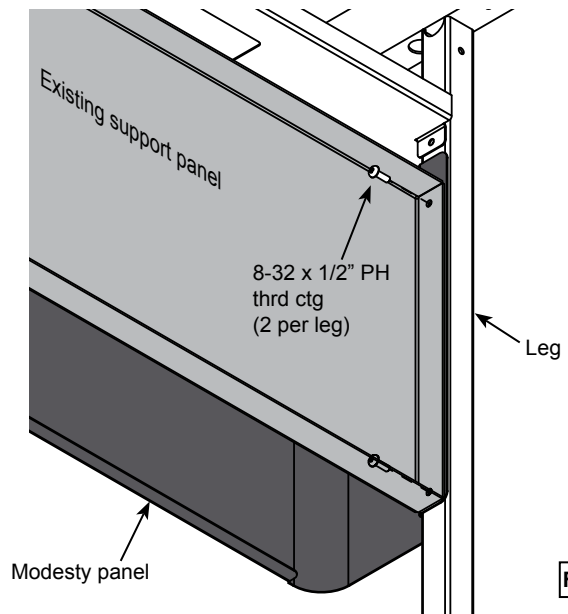


Figure 2.2