

Assembly Instructions

⚠ Important ⚠

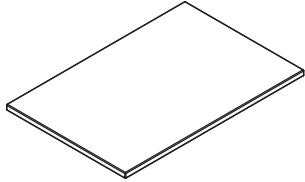
Before you begin, read and comply with all safety and operating instructions, and ensure all parts and correct quantities are included.

Any parts damaged during shipment must be reported within 5 days of receipt. To report information regarding missing parts or damage, to purchase parts or accessories, or if you have any questions, please contact us.

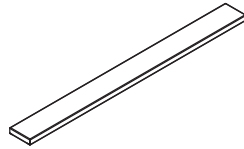
www.spectrumfurniture.com
800-235-1262, 715-723-6750

Thank you for purchasing Spectrum products!

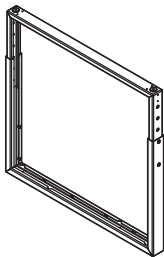
Parts will be for 36", 44", 60", or 72"W depending on size ordered.



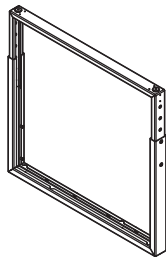
(1) Worksurface



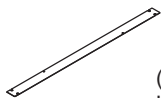
(1) Top cover



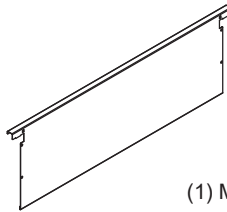
(1) 0174258
Left leg



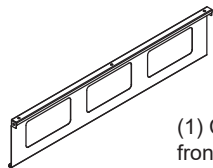
(1) 0174681
Right leg



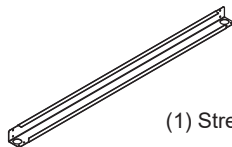
(2) 0174452
Leg cover



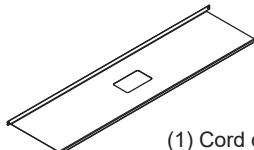
(1) Modesty
panel



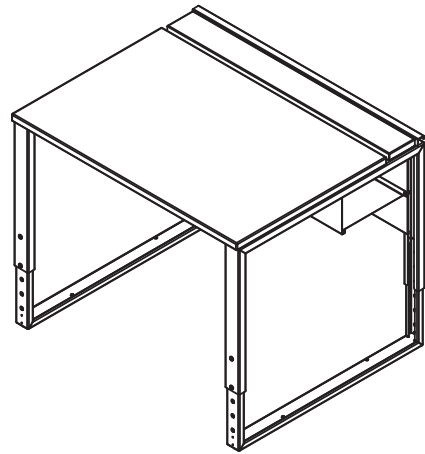
(1) Cord channel
front



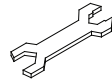
(1) Stretcher



(1) Cord channel
bottom



GG Gaming Desk (36", 44", 60" and 72"W) 37421



X2



Assembly tip: Do not tighten component fasteners completely until all have been installed. Keeping them loose will help with alignment between parts during assembly.

Leg height

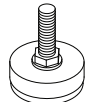
Legs are factory-assembled for a 28"H worksurface but are adjustable from 24"-30"H (in 2" increments). If a different worksurface height is needed, remove the 4 screws in each leg, re-adjust to the new height, and re-install screws. Make sure both legs are set to the same height.



(8) 035728
1/4-20 x 1/2"
PHMS



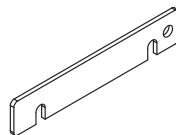
(10) 0100167
8-32 x 1/2" PH
Thrd ctg screw



(4) 037779
5/16-18 x 1"
Glide



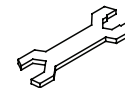
(13) 0101382
#14 x 7/8" PHSM



(1) 0176848
Unit-to-unit
bracket



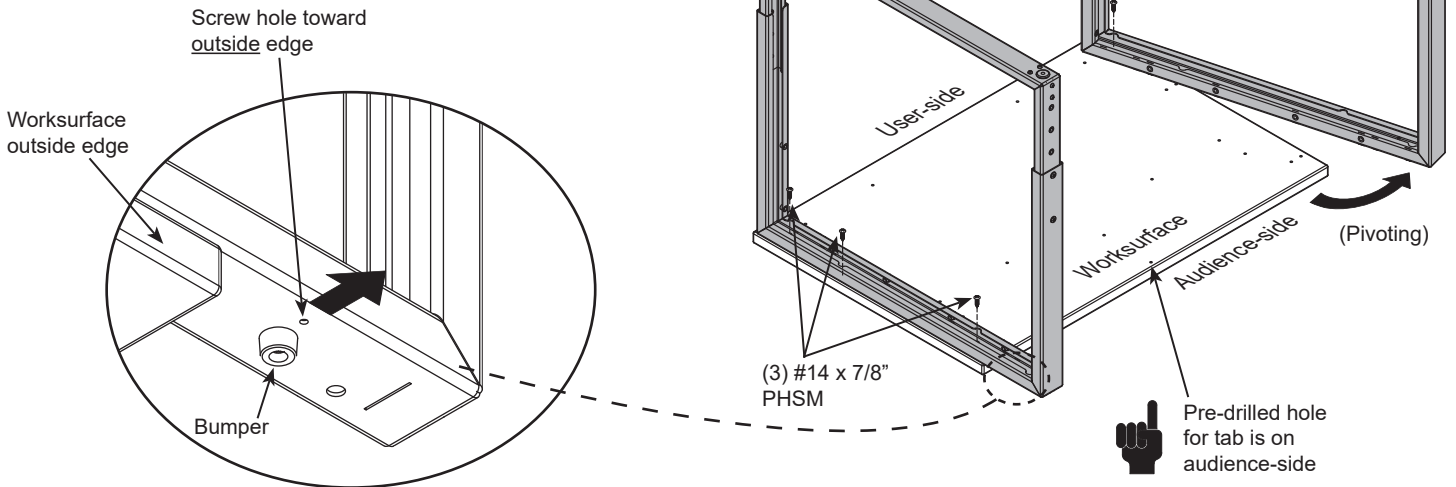
(1) 0176830
Tab



(1) 025069
Glide Wrench

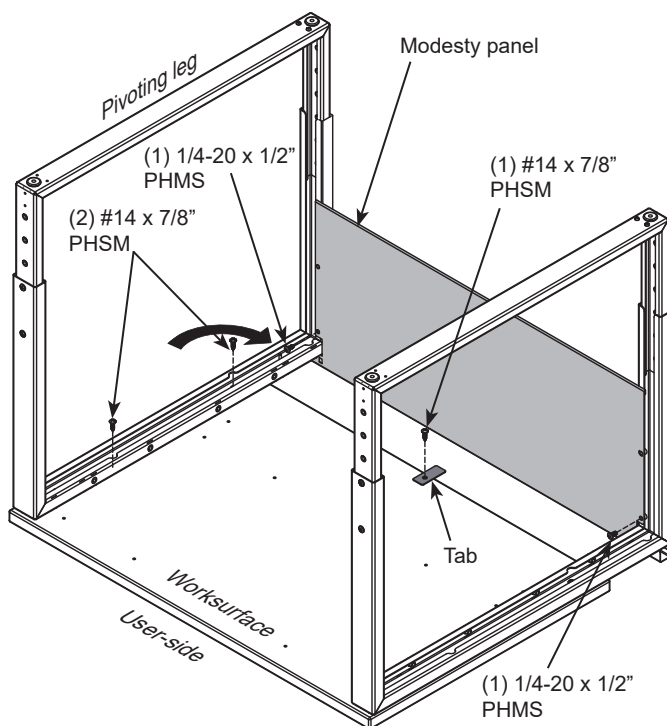
1 Attach legs to worksurface

1. Place the worksurface face-down onto a non-abrasive surface.
2. There is a left and right leg. Orient each leg with the screw hole (next to bumper) on the outside edge of the worksurface.
3. Attach one leg to the worksurface with (3) #14 x 7/8" PHSM screws.
4. Attach the other leg with (1) #14 x 7/8" PHSM screw at the front only so it can pivot slightly.



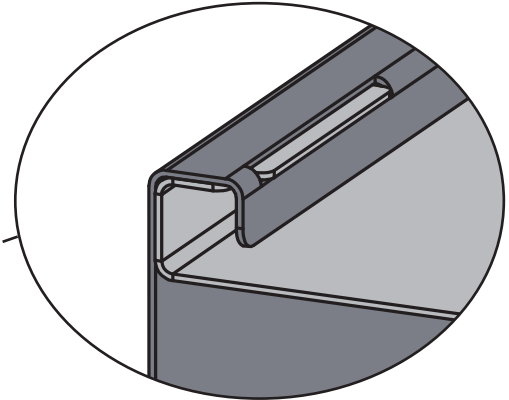
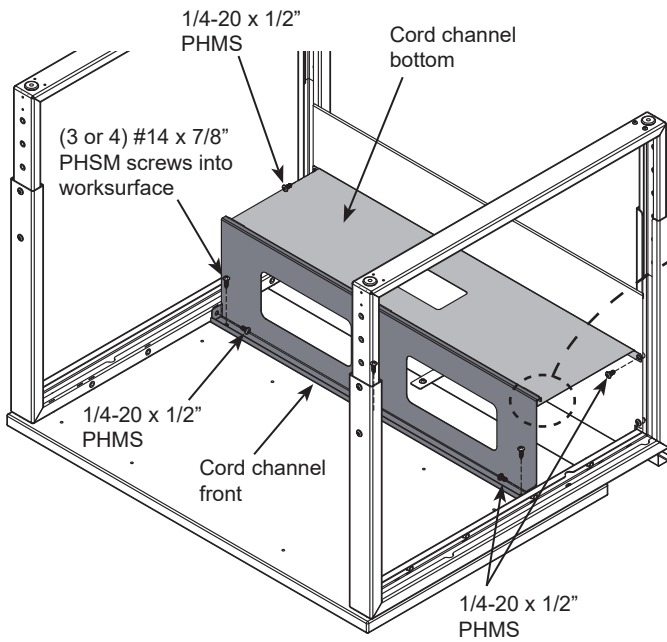
2 Attach modesty panel and tab

1. Attach the modesty panel to each leg with (1) 1/4-20 x 1/2" PHM screw in the position shown only.
2. Attach the tab to the worksurface with (1) #14 x 7/8" PHSM screw.
3. Secure the pivoting leg to the worksurface with the (2) remaining #14 x 7/8" PHSM screws.



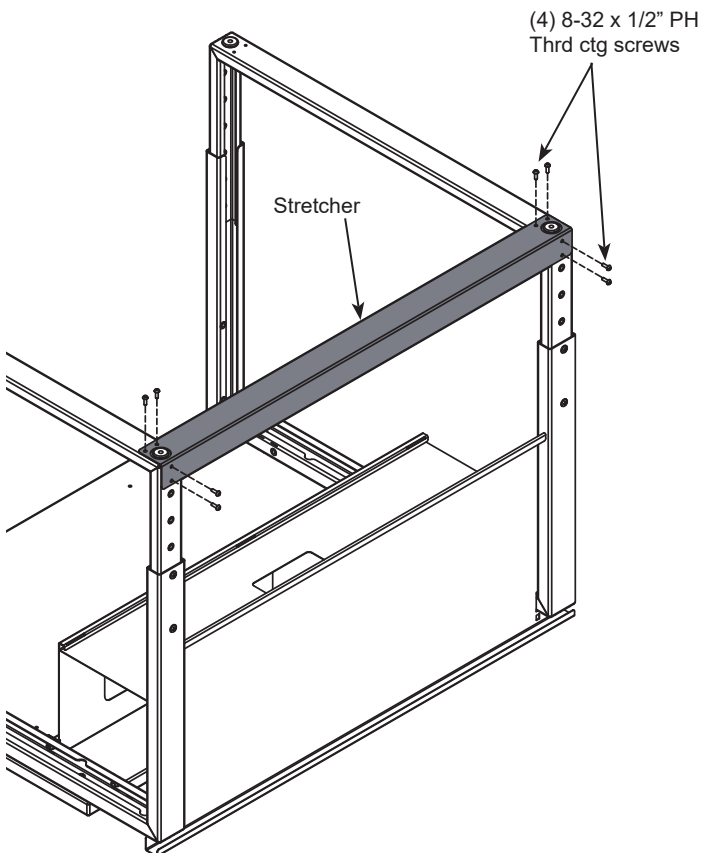
3 Attach cord channel

1. Attach the front cord channel to the worksurface with #14 x 7/8" PHSM screws. (3 or 4 depending on desk width). Install (1) 1/4-20 x 1/2" PHM screw into each leg.
2. Hook the cord channel bottom tabs into the cord channel front slots.
3. Secure the cord channel bottom to each leg with (1) 1/4-20 x 1/2" PHM screw.



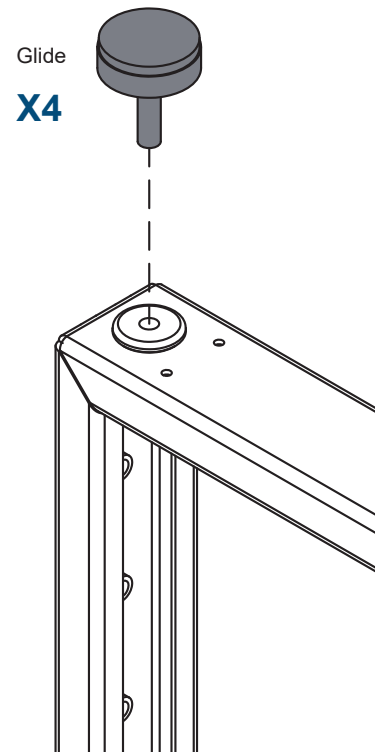
4 Attach stretcher

1. Attach the stretcher to each leg with (4) 8-32 x 1/2" PH Thrd ctg screws.



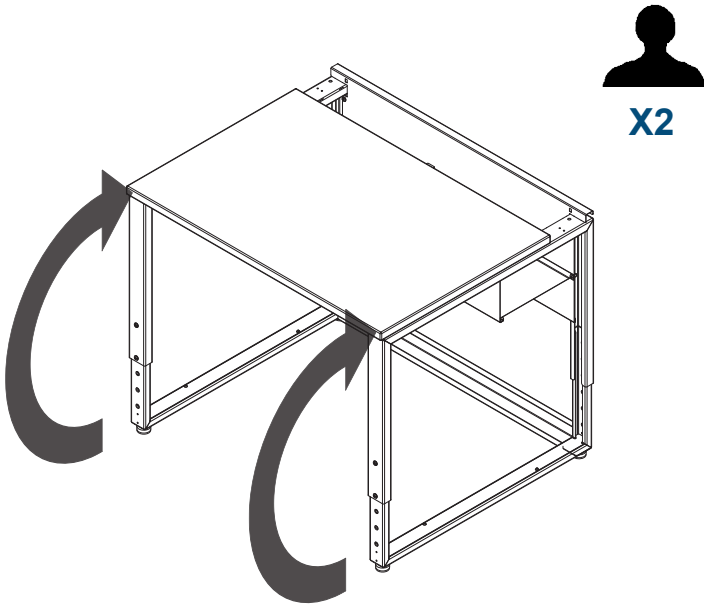
5 Install glides

1. Install (4) glides. Adjustments can be made later for uneven floors.



6 Flip desk upright

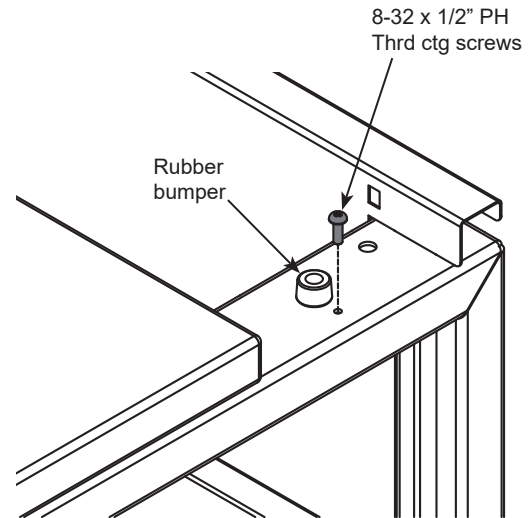
1. Carefully flip the desk upright. This will require at least two people.



7 Install top cover screws (optional)

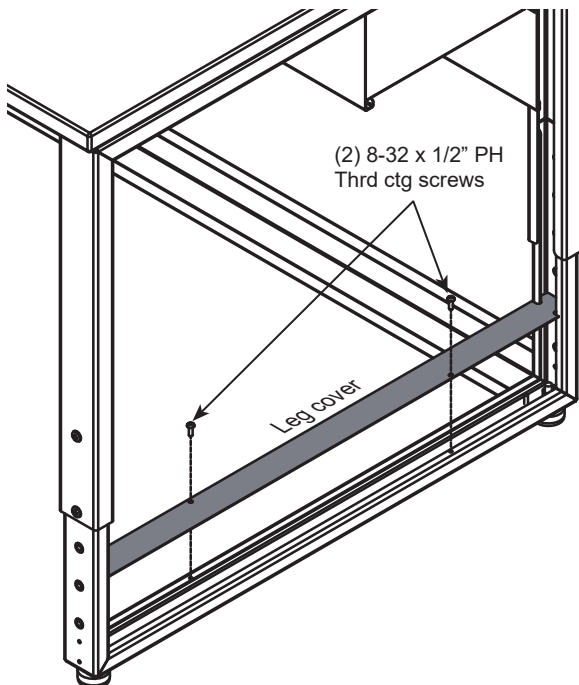
These screws help keep the top cover in place.

1. Install (1) 8-32 x 1/2" PH Thrd ctg screw on the outside hole on the top of the leg (next to the rubber bumper).
2. Repeat on other leg.



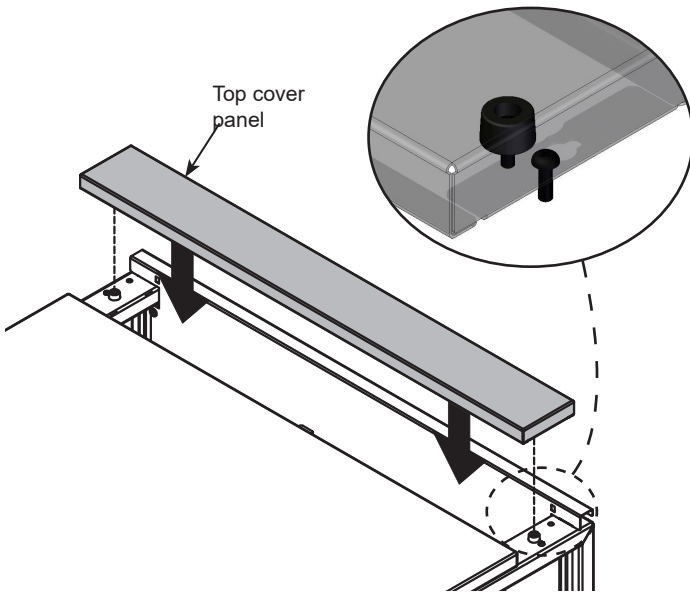
8 Install leg covers

1. Attach each leg cover to a lower leg with (2) 8-32 x 1/2" PH Thrd ctg screws.

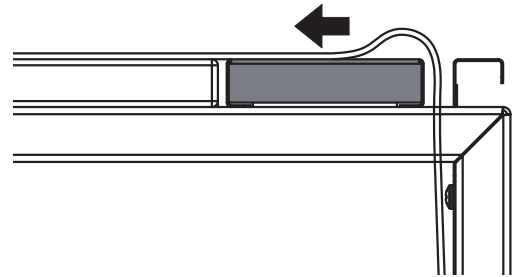
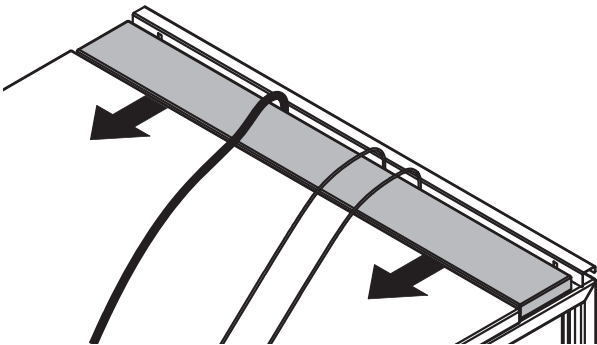


9 Install top cover panel

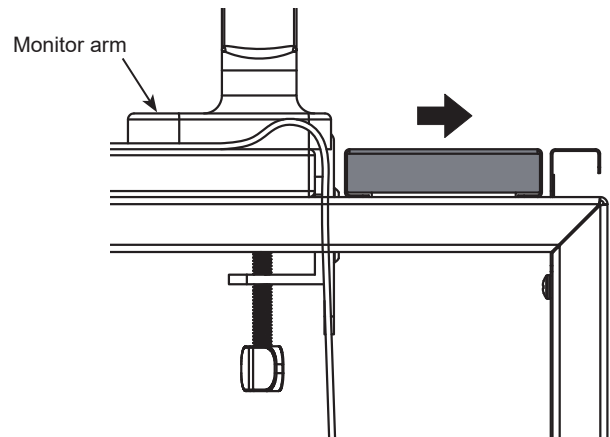
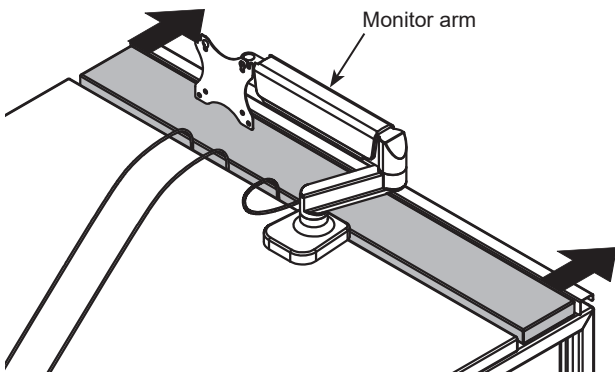
1. Set the top cover over the rubber bumpers.



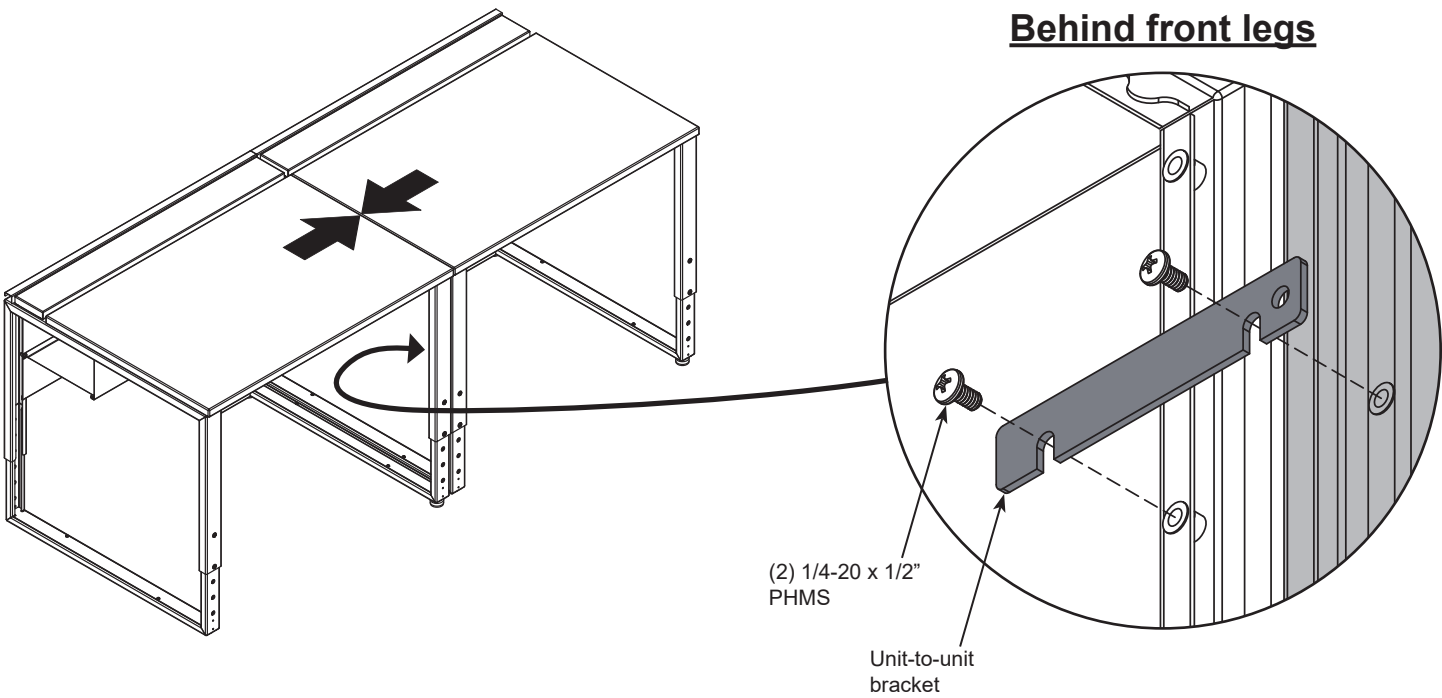
Slide the top cover panel forward. Cords and wires can be routed through the gap behind.



If a monitor arm will be clamped to the worksurface, slide the top cover panel back. Cords and wires can be routed through the gap in front.

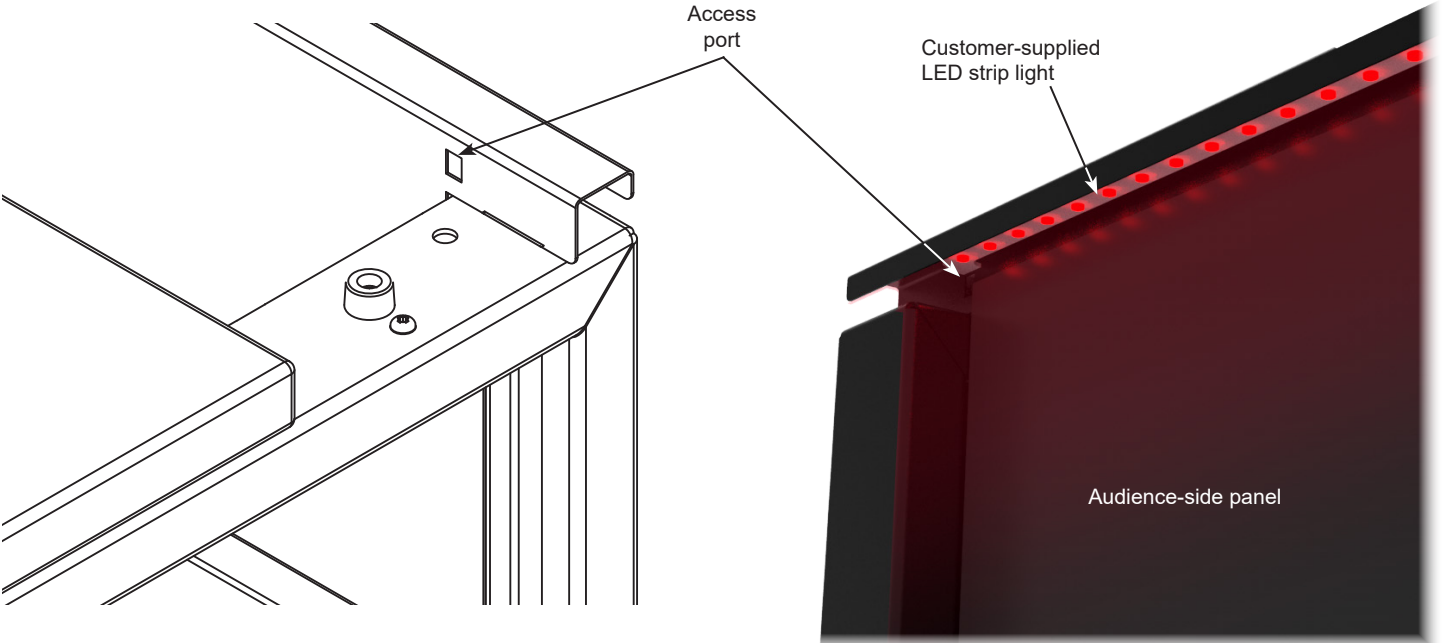


Connecting desks together (optional)



Installing LED strip light tape (optional)

Note: Access ports are provided at the top of the audience-side panel that provide the ability to route customer-supplied LED strip light tape inside the top channel. This illuminates the audience-side panel and can help highlight any team branding logos that are being used or just provide accent lighting to the desk.



Warranty

We will make it right for you!

Thanks for choosing Spectrum! Spectrum is committed to provide complete customer satisfaction. Each of our products is manufactured from the best materials available and each product is stringently monitored throughout the production process through our P.A.C.E. program (Product Assurance to meet Customer Expectations).

We expressly warrant that Spectrum products will be of good quality and workmanship and free from defect for the period set out in the warranty from the date of delivery.

For a listing of all product specific warranty terms please visit our website at:

<https://www.spectrumfurniture.com/en/resources/purchasing-terms-warranty>

1-800-235-1262

Toll-free HELPLINE

spectrum@spectrumfurniture.com