

Assembly Instructions

⚠ Important ⚠

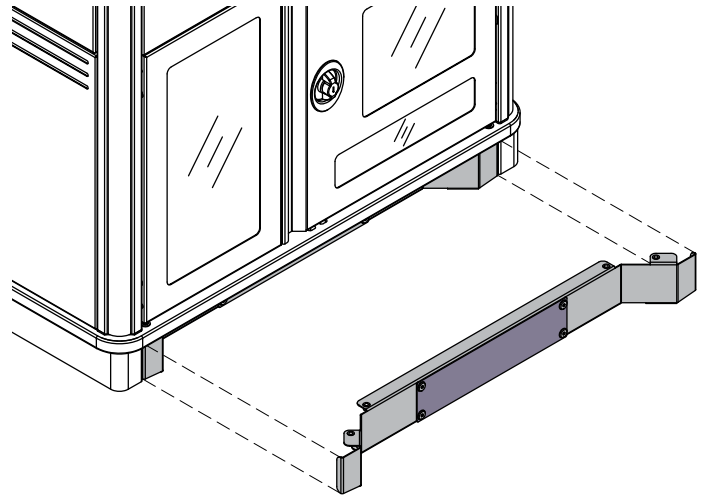
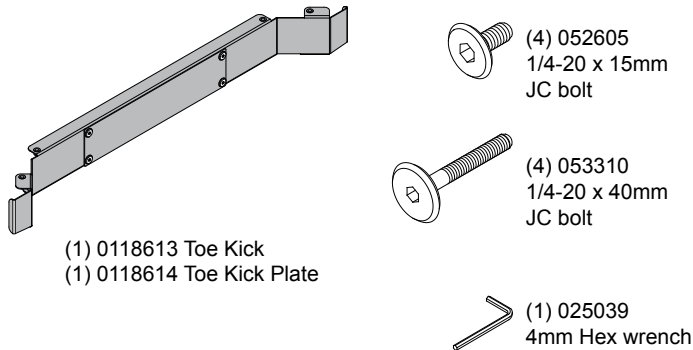
Before you begin, read and comply with all safety and operating instructions, and ensure all parts and correct quantities are included.

Any parts damaged during shipment must be reported within 5 days of receipt. To report information regarding missing parts or damage, to purchase parts or accessories, or if you have any questions, please contact us.

www.spectrumfurniture.com

800-235-1262, 715-723-6750

Thank you for purchasing Spectrum products!



Toe Kick Panel Kit for Media Manager Elite Lectern 55198

Installation

1. Position the toe kick panel on the floor in the preferred final lectern location. **Figure 1.**
2. Mark the (4) mounting hole locations onto the floor.
(The toe kick mounting holes are 1/2" dia.)
3. Drill suitable holes into the floor and anchor the toe kick with appropriate fasteners.
4. At this point, wiring connections can be made under the lectern with easier access to the base panel grommet holes.

Note: If the toe kick will be anchored to the floor, (4) fasteners are required that will work with the 1/2" diameter holes on the toe kick. Due to the wide variety of flooring materials and conditions possible, anchor fasteners are not provided.

5. Move lectern into position over the anchored toe kick. **Figure 2.**
6. Align the (4) base panel mounting holes (instructor-side) with the toe kick panel mounting holes.
7. Attach toe kick plate with (4) 1/4-20 x 15mm JC bolts.

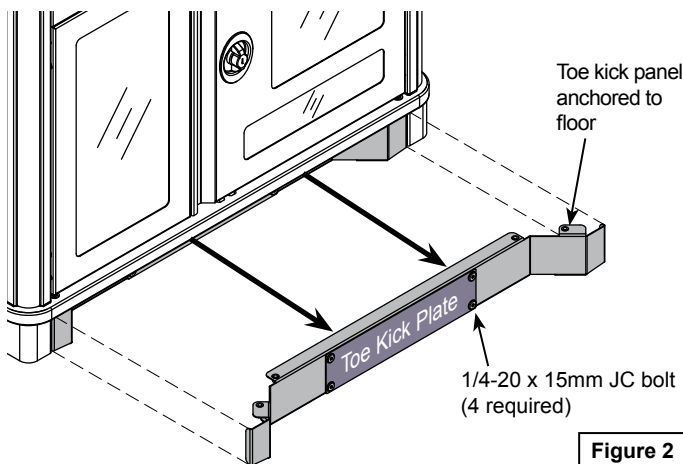


Figure 2

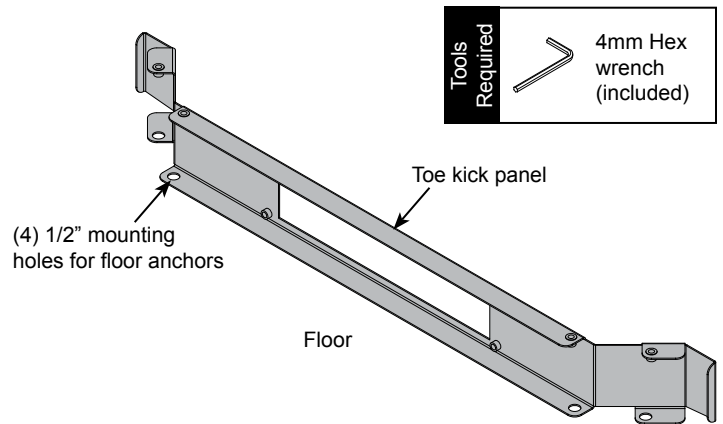


Figure 1

8. Open or remove both doors.
9. Install (4) 1/4-20 x 40mm JC bolts through the base panel to secure, and tighten securely. **Figure 3.**

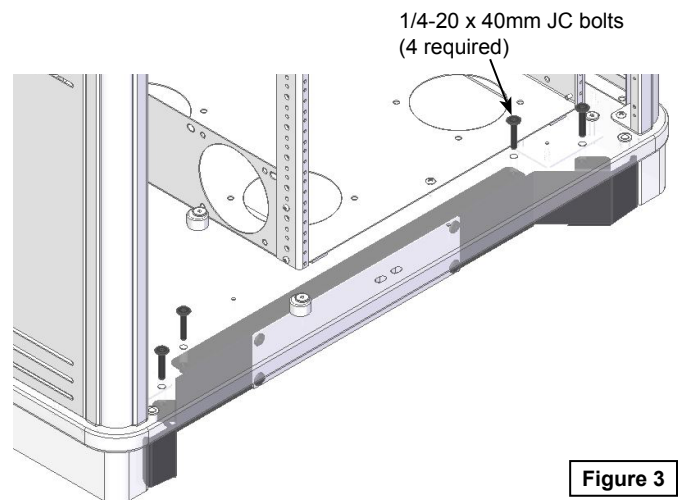


Figure 3