

Assembly Instructions

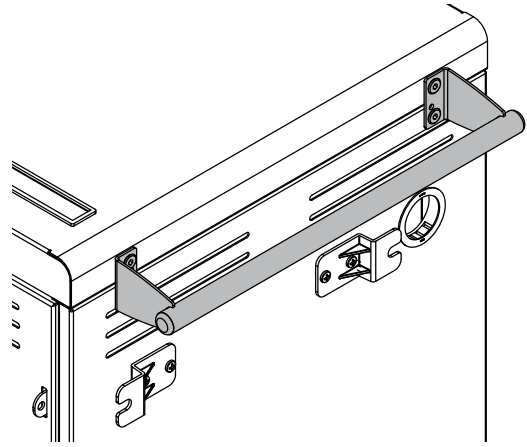
⚠ Important ⚠

Before you begin, read and comply with all safety and operating instructions, and ensure all parts and correct quantities are included.

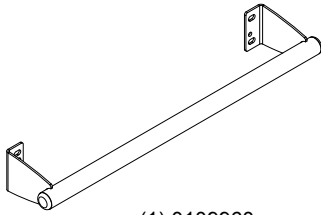
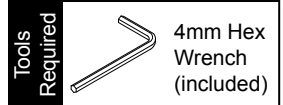
Any parts damaged during shipment must be reported within 5 days of receipt. To report information regarding missing parts or damage, to purchase parts or accessories, or if you have any questions, please contact us.

www.spectrumfurniture.com
800-235-1262, 715-723-6750

Thank you for purchasing Spectrum products!



Steel Handle 55393



(1) 0109960
Steel Handle



(4) 052605
1/4-20 x 15mm
JC bolt



(1) 025039
4mm Hex Wrench

Assembly

1. Align the handle with the mounting holes. **Figure 1.**
2. Install (4) 1/4-20 x 15mm JC bolts and tighten securely.

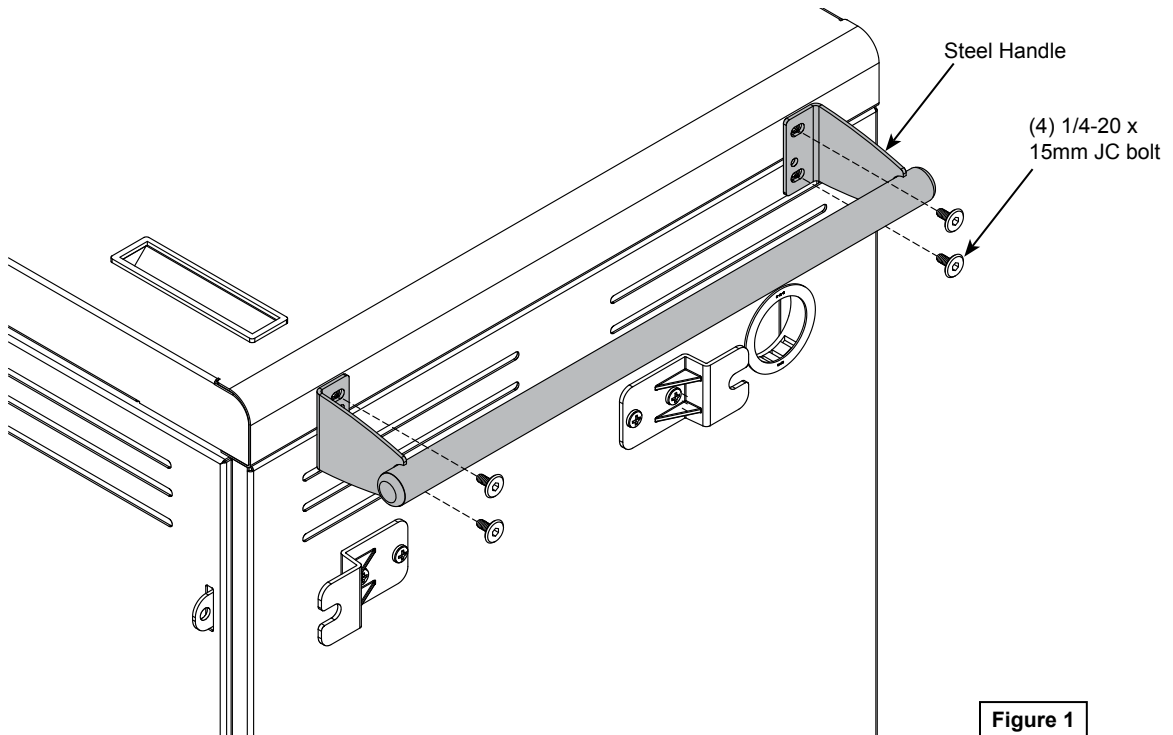


Figure 1