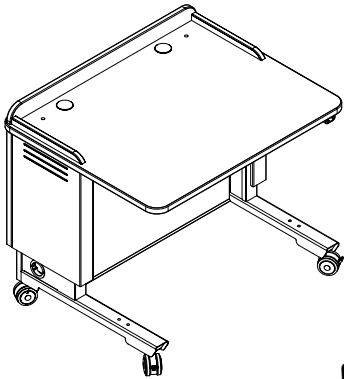
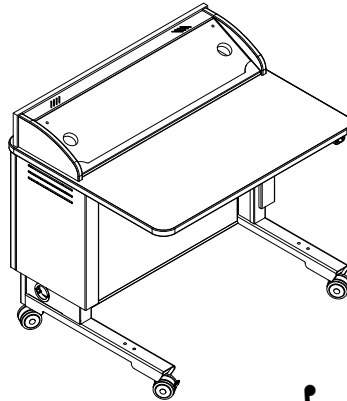


55357

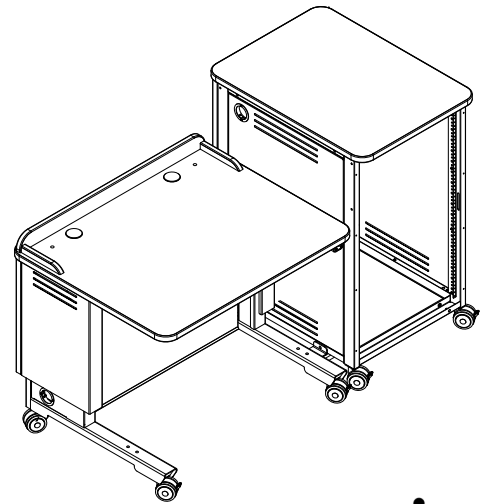
Technical Specifications



Lectern with surround



Lectern with overbridge



Lectern with surround and equipment rack attached to right side



Use the Freedom One e-Lift Lectern where worksurface height adjustment, ADA compliance, or rack rail equipment storage is required. The lectern can have either glides or casters installed for stationary or mobile use. Electric actuators provide worksurface height adjustment from 28.5-42" and have a lift capacity of 500 lb. The lectern is available with a surround and grommets, or an overbridge version. An optional logo panel can be added to the audience side of the lectern for institution branding. The Equipment rack has 18 rack units accessible from the audience and presenter sides, and can be mounted on the left or the right side of the lectern. Other options can be added including rack-mount accessories (shelves, drawers, cooling fans, and others).

Features and Benefits

Lectern:

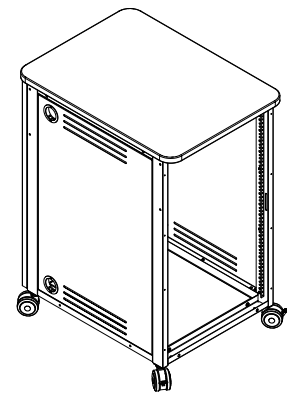
- Electric eLift adjustable-height worksurface easily adjusts between varying seated or standing-use heights
- Lightweight with a small overall footprint
- ADA-compliant
- Surround on worksurface provides privacy and styling (surround version)
- Worksurface grommet holes provide superior cord access (surround version)
- Casters or glides factory-assembled
- Full-length modesty panel (worksurface to casters)
- Kick panel and wire loom protect cables during worksurface movement
- Overbridge version with blank panel allows custom cutouts and installation of electronics
- Lectern and equipment rack can be assembled in a left or right-hand configuration
- Cable grommets throughout lectern provide cable access
- Pre-drilled monitor arm mounting holes allow easy installation of a monitor arm (surround version only)
- Optional tray can be used as a keyboard tray or storage drawer
- Optional quick-change customizable logo panel simplifies adding or changing logos
- Available as a stand-alone unit

Equipment Rack:

- Rack-rail mounting (18RU front and 18RU rear) simplifies installation for any equipment configuration
- Ventilated side panels keep equipment cool
- Removable audience-side panel included
- Casters or glides assembled by customer
- Optional front solid or acrylic door provides security and access to internal equipment
- Two 2" grommets in each side panel provide cord access
- Unit-to-unit kit easily connects the equipment rack and lectern while in an upright position (no flipping needed)
- Available as a stand-alone unit

Misc:

- 3" Swivel locking Twin-Wheel stem casters provide easy rolling
- Optional stationary glides available if mobility is not necessary or desired
- Scratch and impact-resistant high-pressure laminate tops provide durable, useful worksurfaces
- Durable powder coated steel chassis provides a long-lasting finish
- SCS Indoor Advantage Certified; meets or exceeds applicable ANSI-BIFMA test standards
- Warranted to be free of all defects in materials and workmanship for 10 years
- Assembled in Chippewa Falls, WI, USA

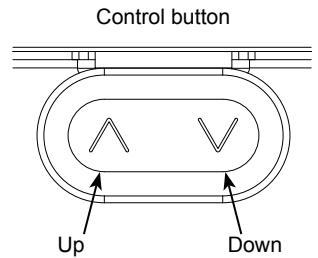


Equipment Rack


Color Options
See spectrumfurniture.com for complete color options and combinations.

Construction

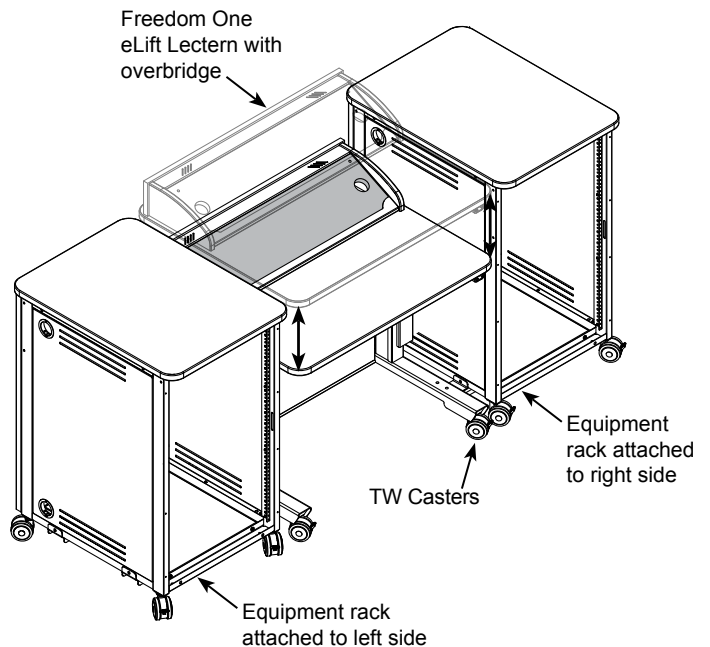
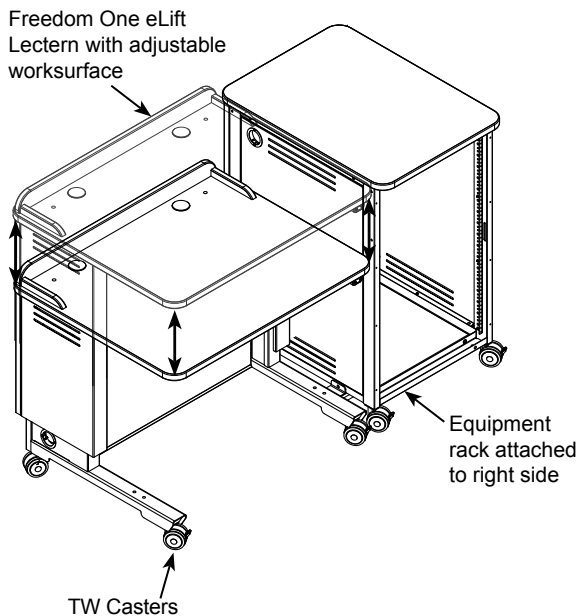
- The worksurfaces are constructed from 1" thick NAUF (No Added Urea Formaldehyde) composite board plus .030" high-pressure laminate on one face, and a balancing phenolic backer on the opposing face
- Metal components consist of 16-gauge steel
- Worksurface edges are covered with 3mm vinyl
- All metal components are finished with a scratch-resistant powder coat epoxy
- Each Freedom One eLift Lectern ships assembled with casters/glides. Equipment rack ships without casters/glides (installed by customer). Unit-to-unit kit is required to attach equipment rack to lectern.



Specifications

eLift Lectern worksurface height adjustability (floor to top of worksurface)	42"H [106.7 cm] (fully-raised with casters) 28.5"H [72.4 cm] (fully-lowered with casters)		
eLift Lectern electric lift	<ul style="list-style-type: none"> • Range of motion: 13.5" [34.3 cm] • ~9.7 seconds from fully-lowered to fully-raised • Inverter: 120V @ 60Hz, max output 400 watts • Motors: 18V / 10 amps • Typical electrical load during operation: 4.3 amps @ 120 VAC • Anti-collision protection for safety • 11' [335 cm] nominal 3-wire power cord 	<ul style="list-style-type: none"> • Casters/glides factory-assembled • Max load: 1200N (270 lb) [122.6 kg] per actuator total lift capacity: 540 lb [245 kg] • Actuators feature non-hydraulic, permanently lubricated screw jacks • Actuators rated for 20,000 cycles • Tested at 1000 cycles at 300 lb • Approved according to EN 60335-1 and UL 962 	
Equipment rack	<ul style="list-style-type: none"> • Rack rail: 18RU • Front and rear rack rails • Standard audience-side panel included • Casters/glides assembled by customer 	<ul style="list-style-type: none"> • 39.11"H [99.3 cm] worksurface height (with casters) • Two 2" grommets in each side panel provide cord access • One equipment rack can be attached to the left <u>and</u> right sides of the lectern. 	
3" Twin Wheel casters	<ul style="list-style-type: none"> • Weight capacity 165 lb [75 kg] each • 1/2-13 threaded stem • 4 on equipment rack, 4 on lectern 		
ADA-compliance*	Knee clearance: 30"W [76.2 cm] x 19"D [48.26 cm] x 27.26"H [69.2 cm] (1 person per lectern)		<i>*Minimum ADA guidelines for knee clearances are 30"W [76.2 cm] x 19"D [48.3 cm] x 27"H [68.6 cm]</i> 
Weights (nominal)	Unit weights: 243 lb [110.3 kg] 151 lb [68.6 kg] 83 lb [37.7 kg] 9 lb [4.1 kg]	Shipping Weights: N/A N/A N/A N/A	Freedom One Lectern (all 3 components) Freedom One Lectern only Equipment rack only Unit-to-unit bracket

Specifications subject to change without notice



Configured Options

Configured Options from Factory:		
	<i>Factory-Installed</i>	<i>Customer-Installed</i>
Laminate / Edge Band Color	✓	
Metal Color	✓	
Lectern Style	✓	
Base Type (Casters or Glides)	✓	
Equipment Rack		✓
Flip-up Shelf		✓
Keyboard Tray	✓	
Customized Logo Panel	✓	
Unit-to-Unit Connector Kit		✓
Cove Power Module		✓
Cove Power Module Color	✓	
Custom Cutout	✓	

Accessories:	
<i>Available separately <u>after</u> initial configured purchase (See p. 16)</i>	
	<i>Customer-Installed</i>
Freedom One eLift Lectern - 55357	✓
Equipment Rack - 55358	✓
Unit-to-Unit Connector Kit - 55359	✓
Flip-up Shelf - 55378	✓
Keyboard Tray - 55379	✓
Customized Logo Panel - 55380	✓
Solid Door for Equipment Rack - 68152	✓
Acrylic Door for Equipment Rack - 68153	✓
Cove Power Module - 99044 <i>(requires cutout)</i>	✓
Overbridge Insert Panel Blank - 96507 Overbridge Insert Panel Blank with cutouts - 96507mod	✓
<i>(for future technology upgrades-compatible with overbridge versions only)</i>	

Product number breakdown

55357 - CH BK CM S1 01 1 1 0 0 0

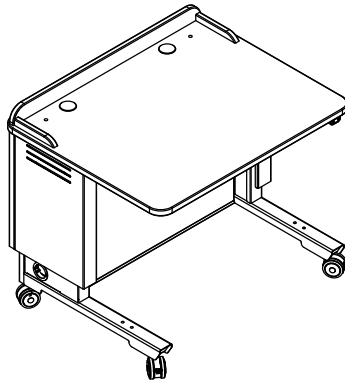
**Parent
Number**

- Customized Logo Panel:** (Factory-installed)
0 = None
1 = with Custom Logo Panel (metal color matches lectern)
- Keyboard Tray:** (Factory-installed)
0 = None
1 = with Keyboard Tray (black)
- Flip-up shelf for Equipment Rack:** (Customer-installed)
0 = None
1 = with Flip-up shelf (laminate and metal colors match equipment rack)
- Door on Equipment Rack:** (Customer-installed) (metal color matches equipment rack)
0 = None
1 = with Solid door
2 = with Acrylic door
- Equipment Rack:** (Customer attaches to lectern) (laminate and metal colors match lectern)
0 = None
1 = with Equipment Rack
2 = with Equipment Rack-with custom cutout(s) in worksurface
- Base Type:** (Factory-installed on lectern, customer-installed on equipment rack)
01 = Twin Wheel Casters
02 = Glides
- Lectern Style:**
S1 = with Surround
S2 = with Surround and custom cutout(s)
B1 = with Overbridge (blank OB panel)
B2 = with Overbridge and custom cutout(s) in OB panel
- Metal Color:**
B = Black
CM = Champaign Metallic
D = Dark Gray
S = Silver Sparkle

	Laminate Color:†	Edgeband Color:
Standard Laminates	FM = Fusion Maple	FM = Fusion Maple
	IO = Indigo Organix	BK = Black (non-matching)
	CH = Wild Cherry	CH = Wild Cherry
Premium Laminates* (28-day lead time)	BK = Black	BK = Black
	BL = Bronze Legacy	BL = Bronze Legacy
	CK = Castle Oak	CK = Castle Oak
	CW = Colombian Walnut	CW = Colombian Walnut
	DZ = Desert Zephyr	DZ = Desert Zephyr
	EM = Empire Mahogany	EM = Empire Mahogany
	MO = Morro Zephyr	MO = Morro Zephyr
	MZ = Misted Zephyr	SN = Silver Northsea (non-matching)
	NP = Nepal Teak	NP = Nepal Teak
	NT = Natural Tigris	NT = Natural Tigris
	PM = Pewter Mesh	PM = Pewter Mesh
	SM = Steel Mesh	SM = Steel Mesh
	TZ = Twilight Zephyr	TZ = Twilight Zephyr
	WF = White Fiesta	BK = Black (non-matching)

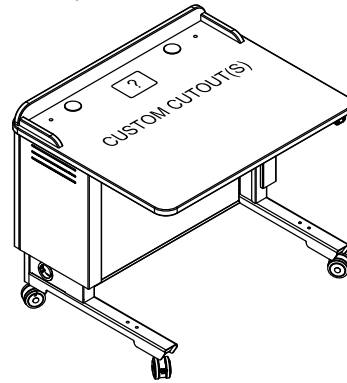
* Premium laminate colors require an additional 14 days of lead time.
† Laminate colors come with matching Edgeband color, with these exceptions: Indigo Organix Laminate comes with Black Edgeband, Misted Zephyr Laminate comes with Silver Northsea Edgeband, and White Fiesta Laminate comes with Black Edgeband.

ORDER CODE S1 = Surround

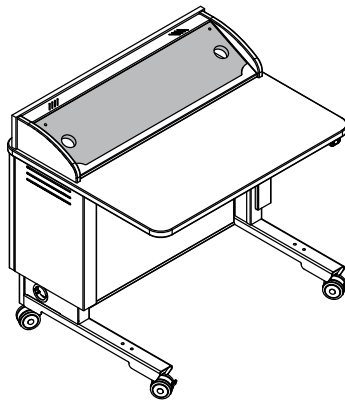


ORDER CODE S2 = Surround and custom cutout(s)

- Contact Spectrum to specify cutout size(s) and location(s)
- See p.10 for location recommendations

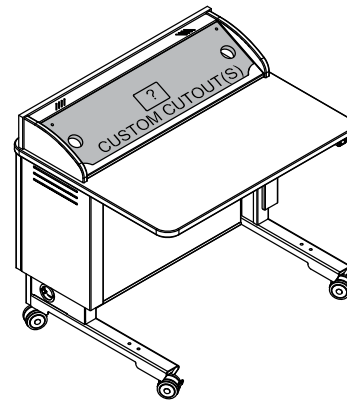


ORDER CODE B1 = Overbridge



ORDER CODE B2 = Overbridge and custom cutout(s)

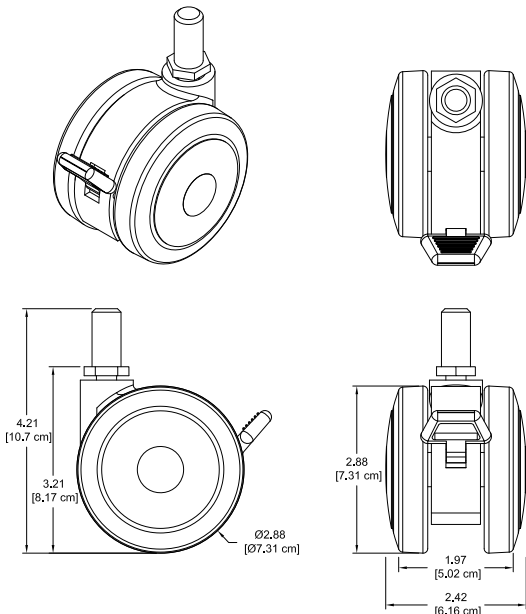
- Contact Spectrum to specify cutout size(s) and location(s)
- See p.10 for location recommendations



Base Options

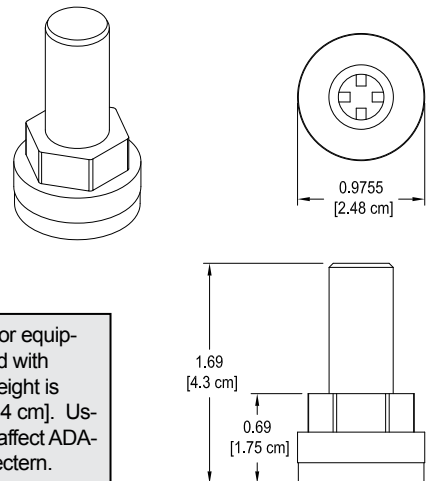
ORDER CODE 01 = 3" Twin-wheel casters

- For mobile use
- Black, soft thermoplastic
- 3.21"H [8.15 cm]
- Factory installed on Lectern
- 1/2-13 threaded stem
- Customer installed on Equipment Rack



ORDER CODE 02 = Glides

- For stationary use
- Black high-impact plastic
- .69"H [1.75 cm]
- Factory installed on Lectern
- 1/2-13 threaded stem
- Customer installed on Equipment Rack



Note: If the lectern or equipment rack is ordered with glides, the overall height is lowered by 2.52" [6.4 cm]. Using glides does not affect ADA-compliance of the lectern.

Equipment Rack Options

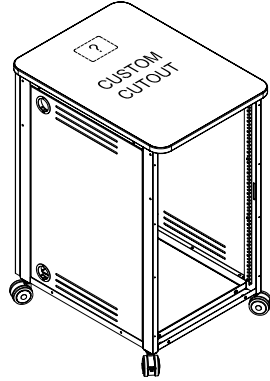
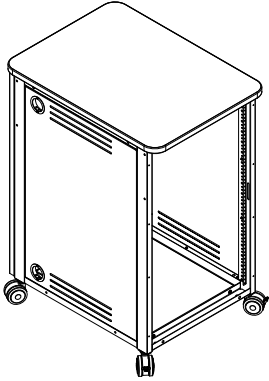
ORDER CODE 0 = None

ORDER CODE 1 = Equipment Rack

- Includes unit-to-unit connector kit

ORDER CODE 2 = Equipment Rack with custom cutout(s)

- Includes unit-to-unit connector kit
- Contact Spectrum to specify cutout size(s) and location(s)
- See p.10 for location recommendations



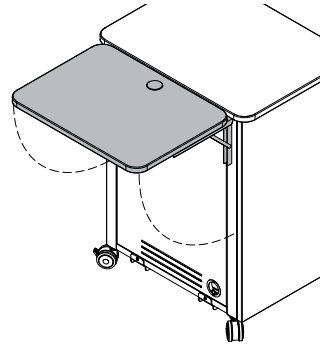
Flip-up Shelf Option

ORDER CODE 0 = None

ORDER CODE 1 = Flip-up Shelf

- 21.1875"W [53.8 cm] x 30"D [76.2 cm] x 1"H [2.54 cm]
- 50 lb [22.7 kg] max capacity
- Includes 2" grommet

Note: Not recommended for use on stand-alone equipment racks.

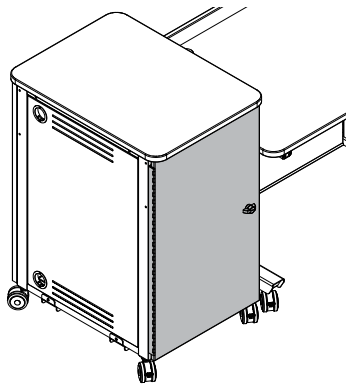


Equipment Rack Door Options

ORDER CODE 0 = None

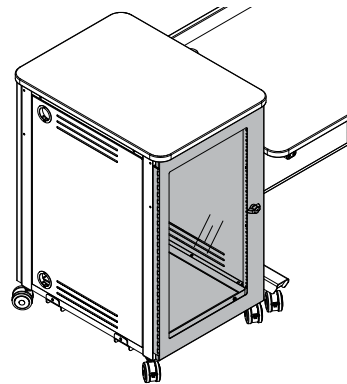
ORDER CODE 1 = Solid Locking Door

- Locking
- For instructor-side installation
- Can be installed to be hinged from the left or right side



ORDER CODE 2 = Clear Acrylic Locking Door

- Locking
- For instructor-side installation
- Can be installed to be hinged from the left or right side

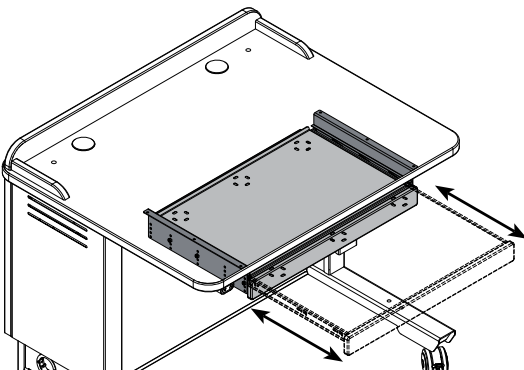


Keyboard Tray Option

ORDER CODE 0 = None

ORDER CODE 1 = Keyboard Tray

- 22"W [55.9 cm] x 13.815"D [35.1 cm] x 4"H
- Wire management slots in tray
- Tray can also be installed flipped and used as a storage drawer

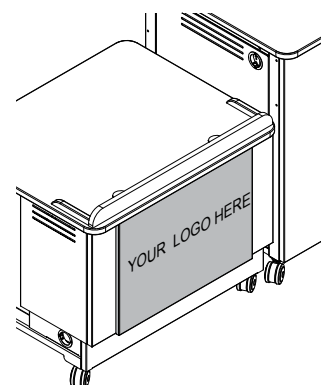


Customized Logo Panel Option

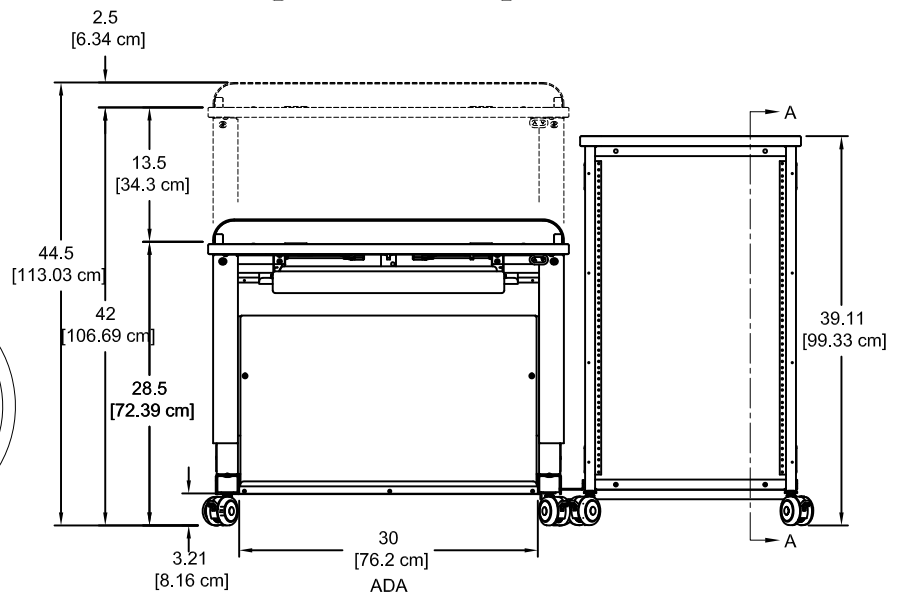
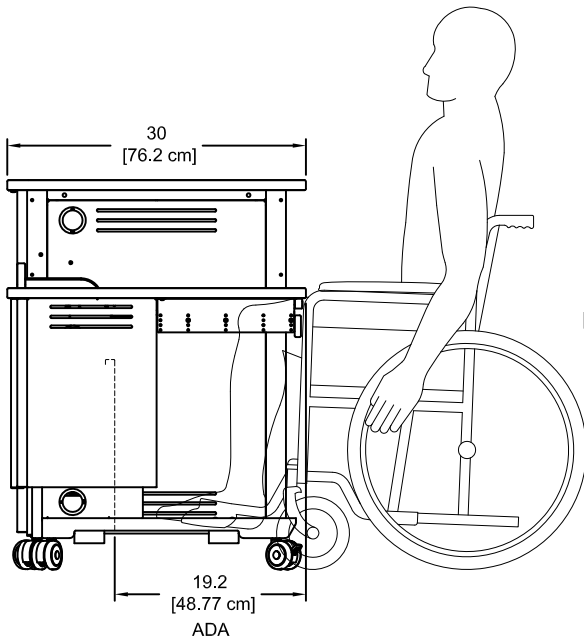
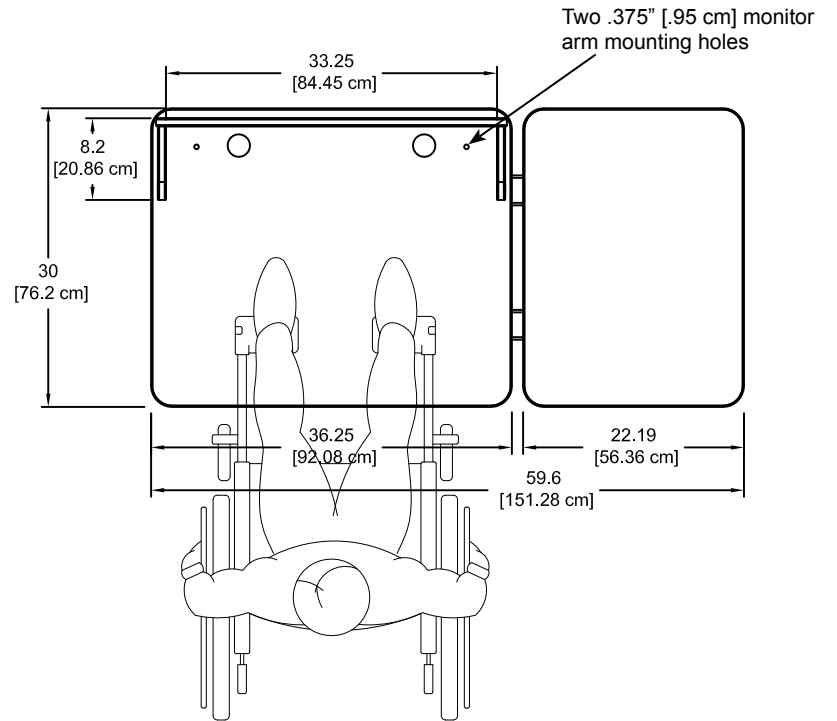
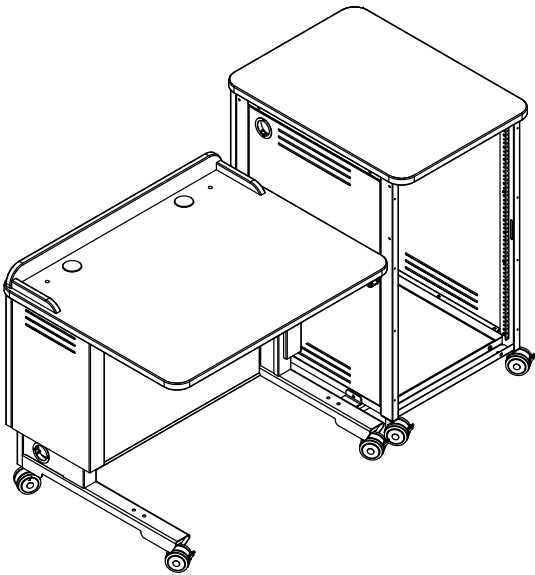
ORDER CODE 0 = None

ORDER CODE 1 = Customized Logo Panel

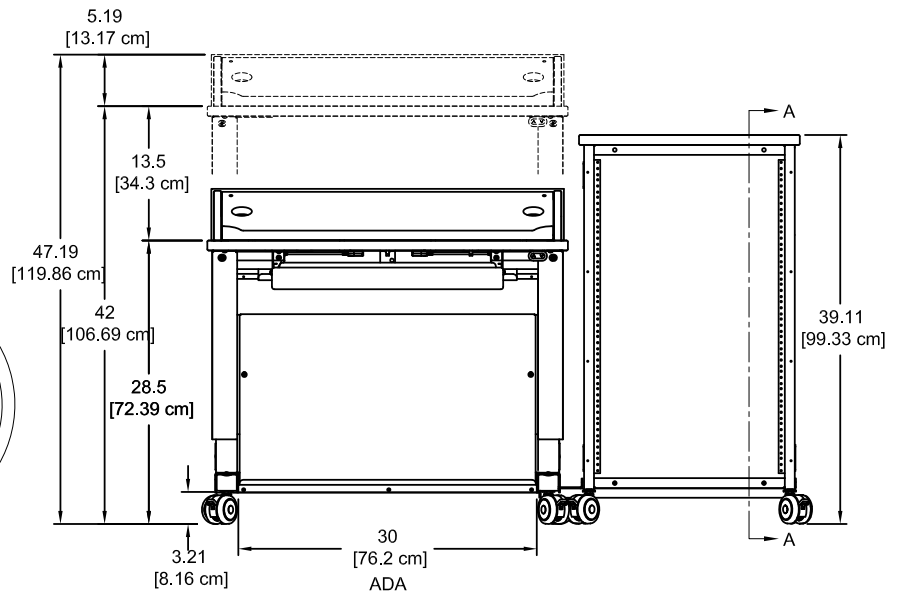
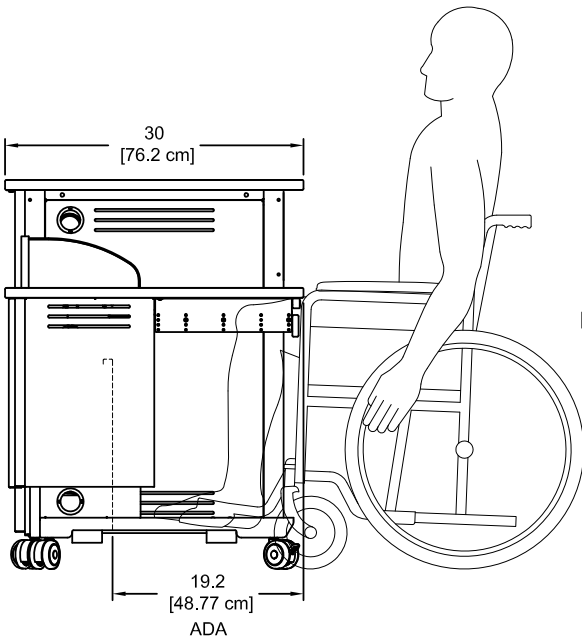
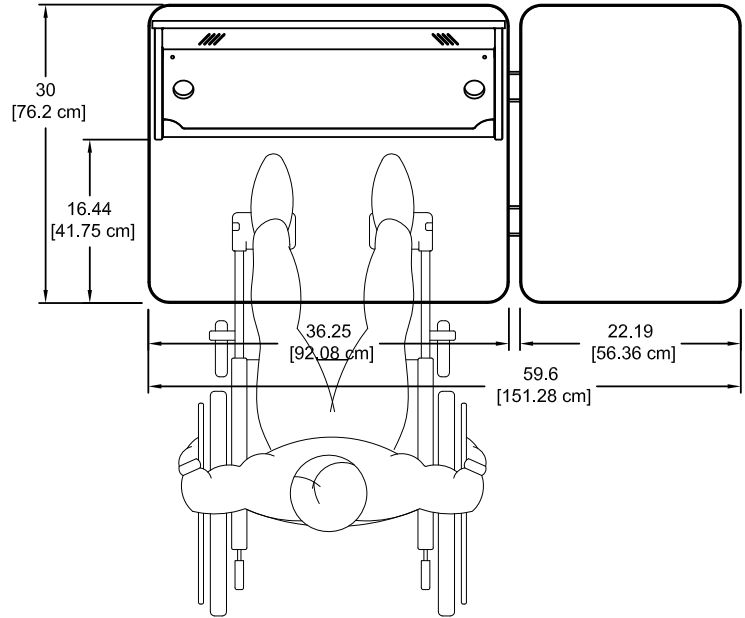
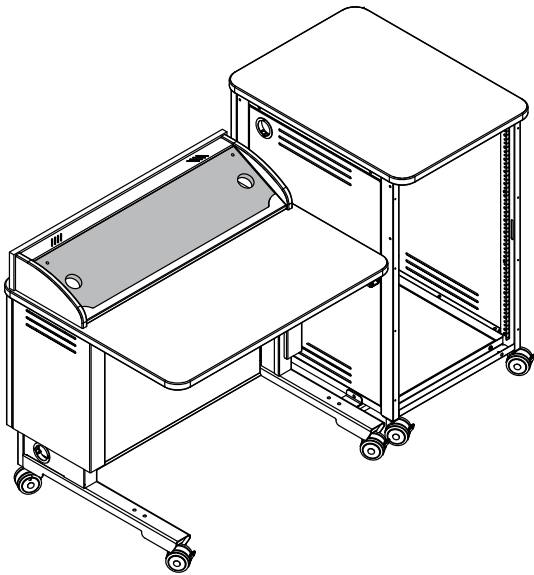
- Attaches to audience-side of lectern
- To get panel customized-contact Spectrum for details
- New logos require a first time logo charge



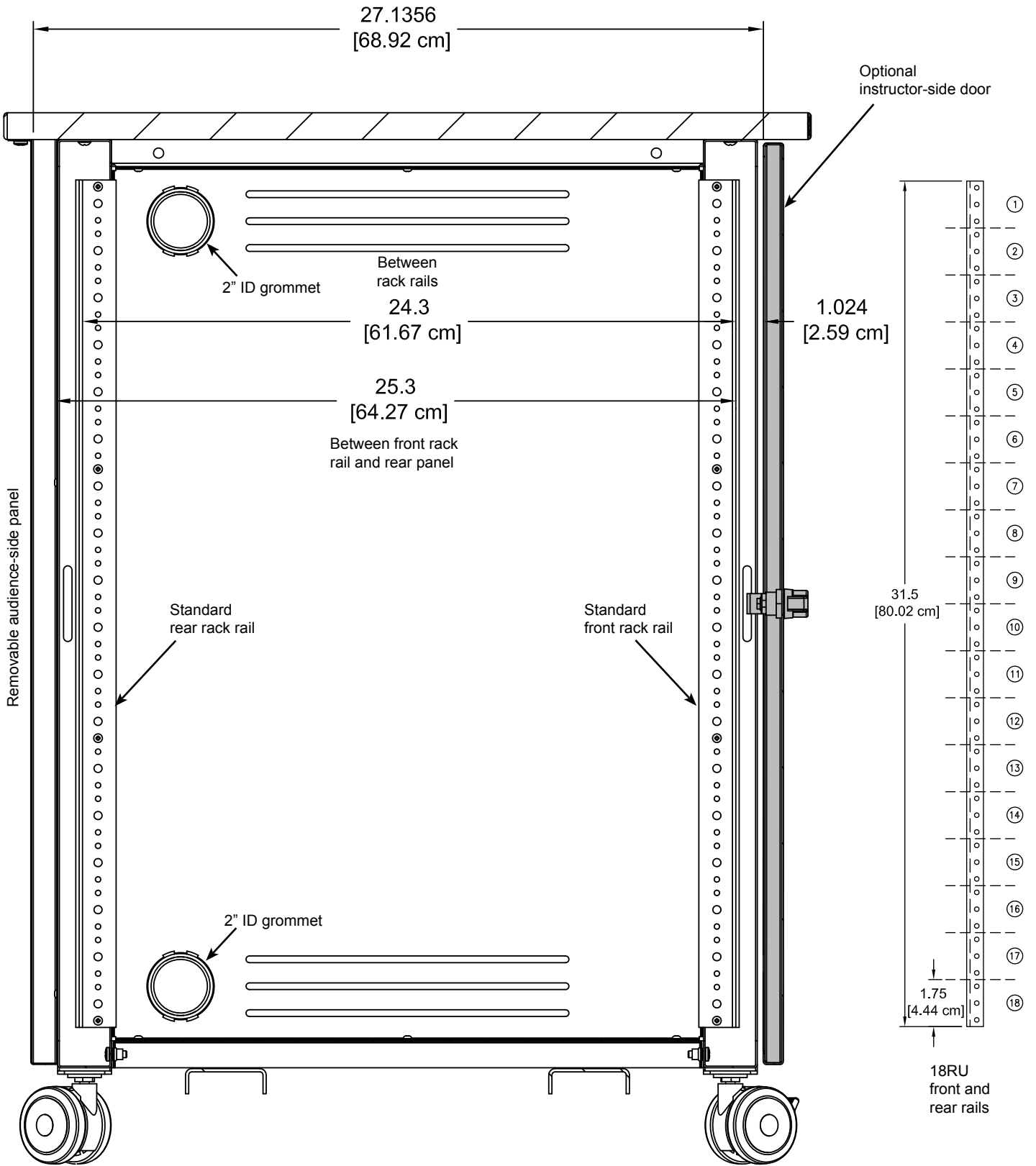
Freedom One eLift Lectern
with surround, TW casters, right-assembled equipment
rack (shown with optional keyboard tray)



Freedom One eLift Lectern
with overbridge, TW casters, right-assembled equipment
rack (shown with optional keyboard tray)



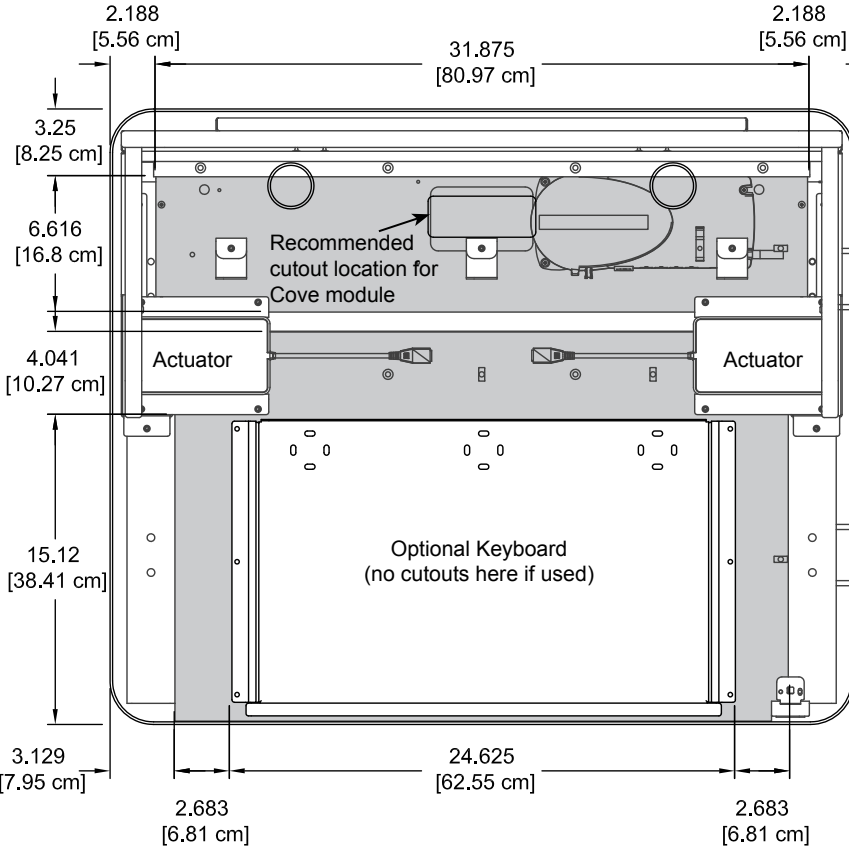
Equipment Rack
Section View A-A



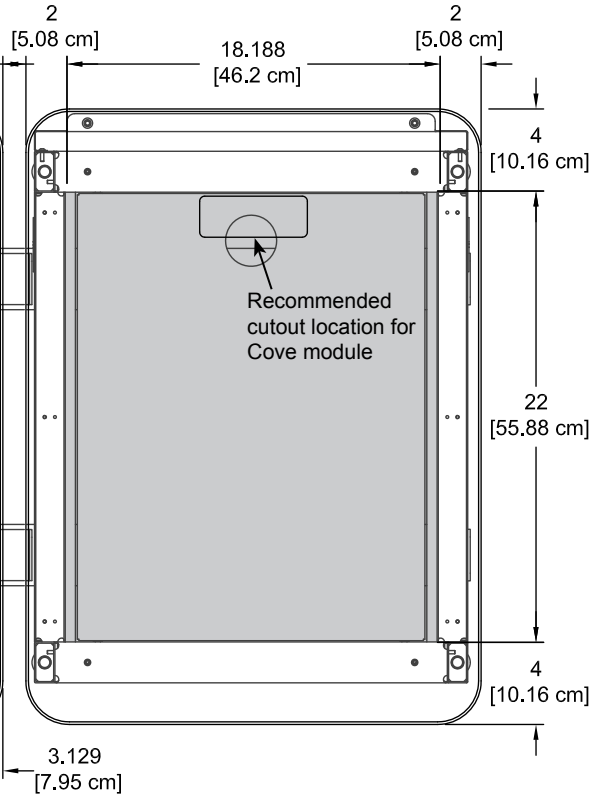
Note: The audience-side of the rack can be accessed by removing 4 screws securing the audience-side panel.

Note: Modified worksurface cutouts should be reviewed by Spectrum to ensure clearance of brackets, keyboard slides, or other objects under the worksurface.
 Contact Spectrum to specify cutout size(s) and location(s).

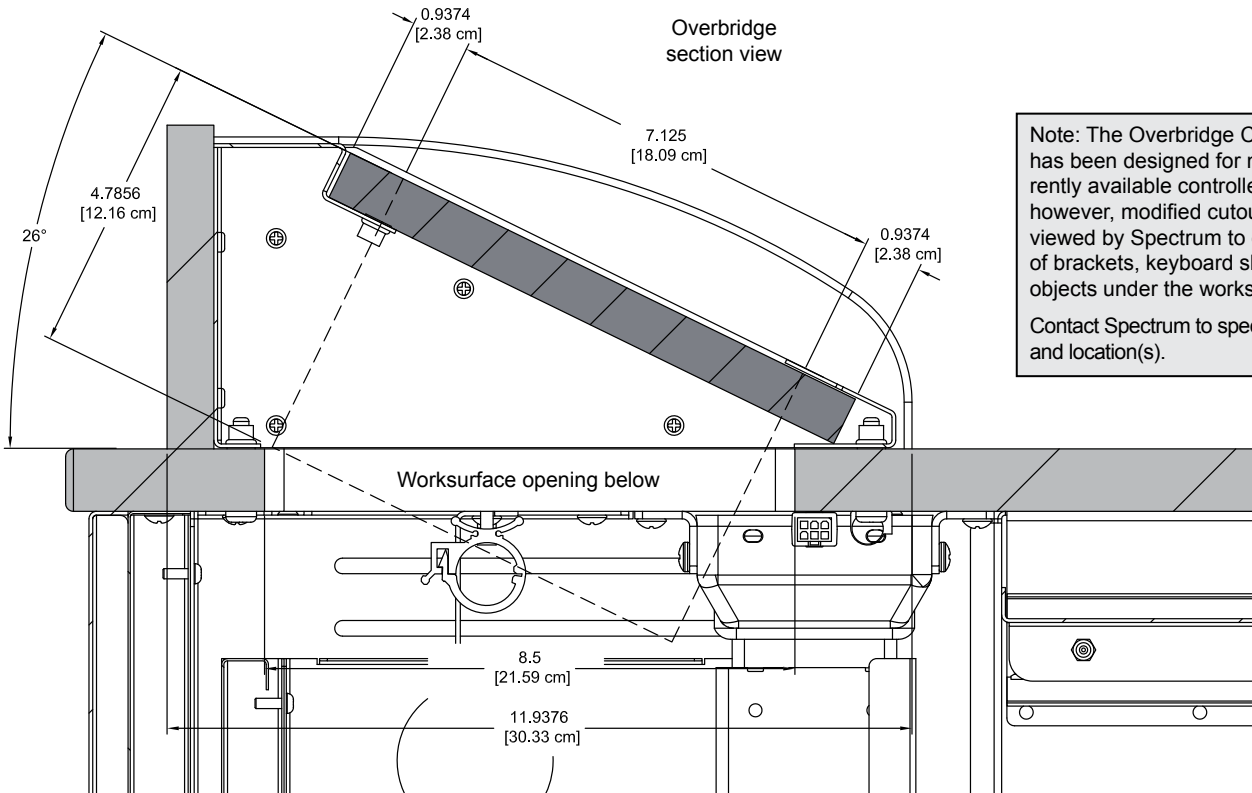
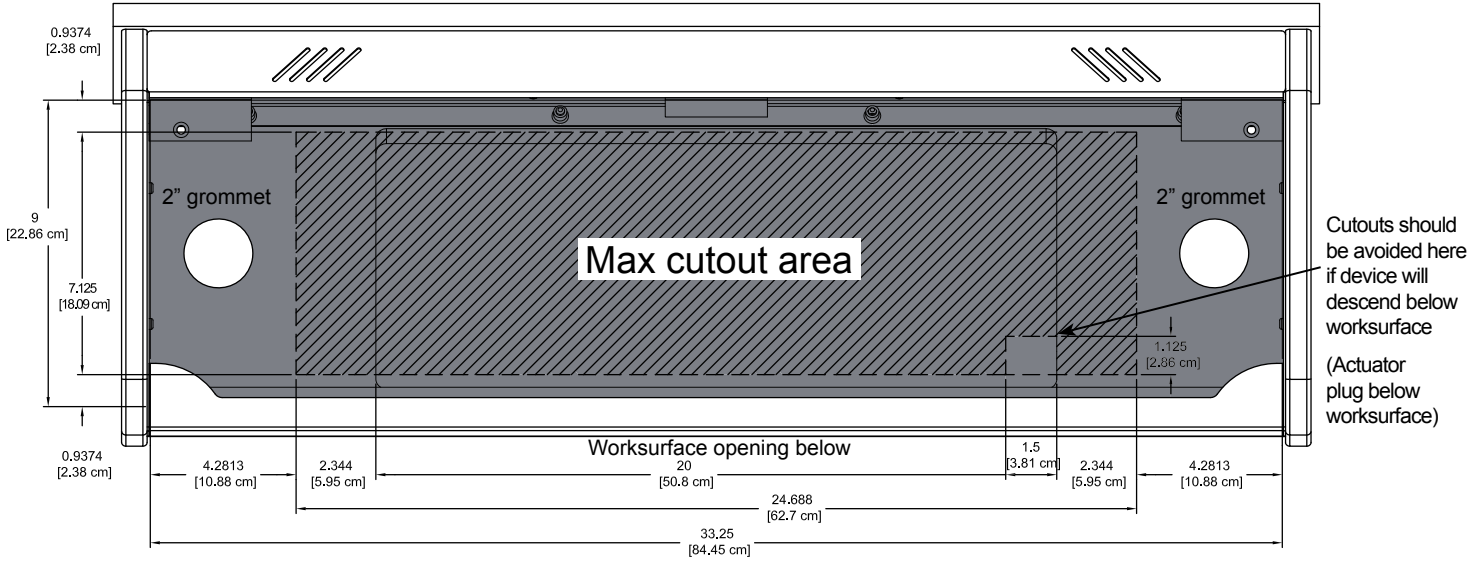
Possible Cutout Areas (shown shaded) in lectern with surround
 Top View



Possible Cutout Area (shown shaded) in Equipment Rack
 Top View

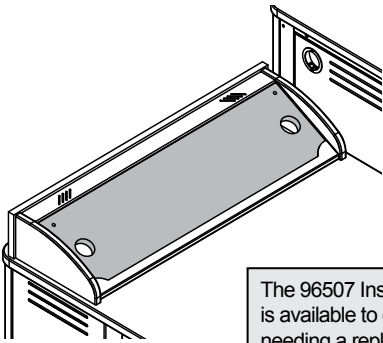


Freedom One eLift Overbridge Insert Panel Blank
(flat view)

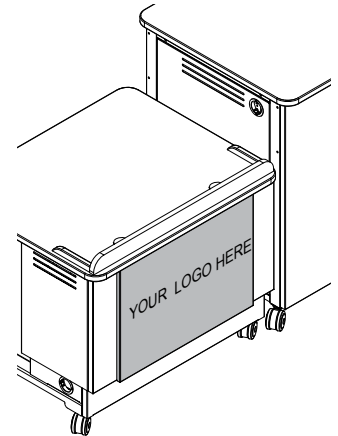
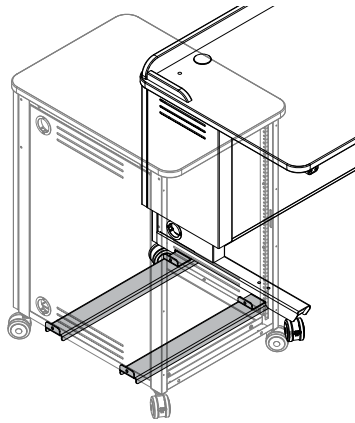


Note: The Overbridge Control Console™ has been designed for many of the currently available controllers on the market, however, modified cutouts should be reviewed by Spectrum to ensure clearance of brackets, keyboard slides, or other objects under the worksurface.
Contact Spectrum to specify cutout size(s) and location(s).

Accessories (Available separately after initial configured purchase.)



The 96507 Insert Panel is available to customers needing a replacement panel or different cutouts for technology upgrades.



Overbridge Insert Panel Blank - 96507 Overbridge Insert Panel with cutouts - 96507mod

- For overbridge version only
- Contact Spectrum to specify cutout size(s) and location(s)
- Overbridge not available separately
- Includes two 2" grommets with covers

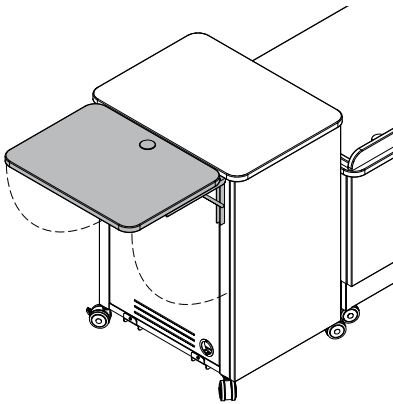
Unit-to-Unit Connector Kit - 55359

- For connecting equipment rack to lectern
- Simple installation-lectern and equipment rack can remain right-side up
- 9 lb [4.1 kg]

Customized Logo Panel - 55380

- To get a customized logo panel, contact Spectrum to specify all logo details
- New logos require a first time logo charge

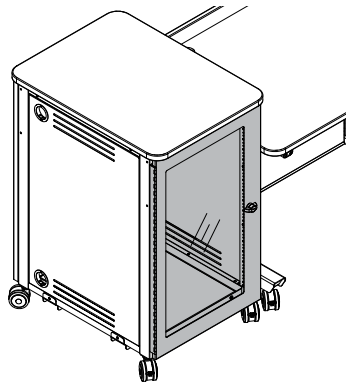
Dimensions: 26"W [66 cm] x .625"D [1.6 cm] 19.09"H [48.5 cm]
Unit weight: 15 lb [6.8 kg]



Flip-up Shelf - 55378

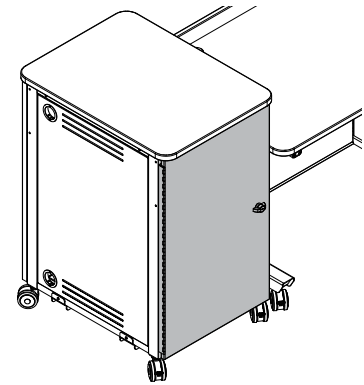
- Includes 2" grommet

Dimensions: 21.1875"W [53.8 cm] x 30"D [76.2 cm] x 1"H [2.54 cm]
Weight capacity: 50 lb [22.7 kg]
Unit weight: N/A



Clear Acrylic Door - 68153

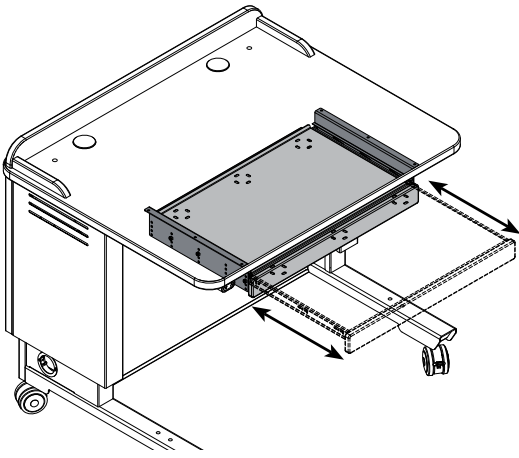
- Locking
- For instructor-side installation
- Can be installed to be hinged from the left or right side



Solid Door - 68152

- Locking
- For instructor-side installation
- Can be installed to be hinged from the left or right side

Note: Not recommended for use on stand-alone equipment racks.

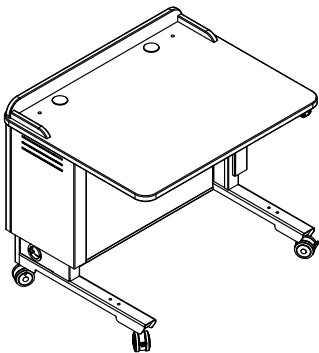


Keyboard Tray - 55379

- Tray can be installed and used as a keyboard tray or flipped and used as a storage drawer using pre-drilled mounting holes under the lectern worksurface.
- Wire management slots in tray

Dimensions: 22"W [55.9 cm] x 13.815"D [35.1 cm]
 x 4"H [10.2 cm]
 Weight capacity: 25 lb [11.4 kg]
 Unit weight: 14 lb [5.4 kg]

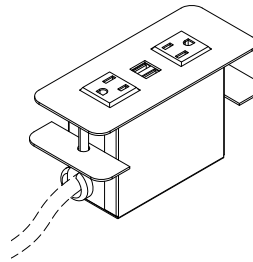
Note: The keyboard tray protrudes 3.4375" [8.73 cm] below the work-surface. If the lectern is used for ADA use, a higher adjusted worksurface (around 32"H) is necessary to provide wheelchair clearance.



Freedom One eLift Lectern - 55357

- Electrically-adjustable worksurface
- ADA-compliant
- Available in surround or overbridge versions
- Factory-assembled with casters or glides

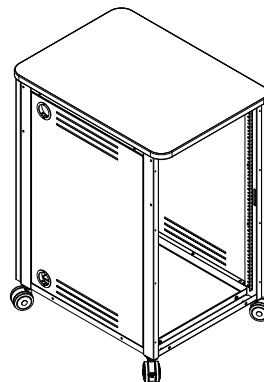
Lectern Style: • Surround
 • Overbridge
 Worksurface options: • No Cutouts
 • Custom Cutouts
 Base options: • Twin Wheel Casters
 • Glides
 Unit weight: 151 lb [68.6 kg]



Cove Power Module - 99044

- Two power receptacles
- Two USB charge ports (not data-compatible)
- Thumbscrew clamps
- Requires worksurface cutout
- ETL listed

Cutout required: 5.25"W [13.3 cm] x 2"D [5.1 cm]
 (mounts to surface thicknesses up to 1.5")
 Power cord: 9' [274 cm] with 90° flat plug with 45° rotation
 Power receptacles: 12A, 120 VAC spill-resistant
 USB charging ports: 2.1A (10.5W)
 Dimensions: 6"W [15.2 cm] x 2.5"D [6.35 cm] x 3.18"H [8.1 cm]
 Unit weight: 2.29 lb [1 kg]



Equipment Rack for Freedom One eLift - 55358

- Rack rail: 18RU
- Front and rear rack rails
- Standard audience-side panel included
- Casters/glides assembled by customer
- 39.11"H [99.3 cm] worksurface height (with casters)
- Two 2" grommets in each side panel provide cord access
- One equipment rack can be attached to the left and right sides of the lectern

Worksurface options: • No Cutouts
 • Custom Cutouts
 Base options: • Twin Wheel Casters
 • Glides
 Door options: • Solid door
 • Acrylic door
 Unit weight: 83 lb [37.7 kg]

See spectrumfurniture.com for the latest available flat panel monitor arms, and rack-mount accessories.

Warranty

WE WILL MAKE IT RIGHT FOR YOU!

Spectrum is committed to provide complete customer satisfaction. Each of our products is manufactured from the best materials available and each product is stringently monitored throughout the production process through our P.A.C.E. program (Product Assurance to meet Customer Expectations).

We expressly warrant that Spectrum products will be of good quality and workmanship and free from defect for the period set out in the warranty table below from the date of delivery. This warranty shall not apply to defects or damage resulting from misuse, abuse, neglect, improper care, modification or repair not authorized by Spectrum, or any other cause outside the control of Spectrum. Spectrum will, at its sole option, either repair or replace the defective product.

This warranty is exclusive; no other warranty, written or oral, is expressed or implied. This warranty is given by Spectrum to Buyer and to no other person or legal entity. No Spectrum dealer, distributor, agent or employee is authorized to make any modification or addition to this warranty.

NOTWITHSTANDING ANYTHING TO THE CONTRARY, SPECTRUM WILL NOT UNDER ANY CIRCUMSTANCES BE LIABLE FOR INDIRECT OR LIQUIDATED DAMAGES, INCLUDING CONSEQUENTIAL, INCIDENTAL AND SPECIAL DAMAGES. IN NO EVENT SHALL SPECTRUM'S LIABILITY, WHETHER UNDER CONTRACT OR WARRANTY, IN TORT OR OTHERWISE, EXCEED THE PURCHASE PRICE RECEIVED BY SPECTRUM FOR THE PRODUCT AT ISSUE AND "RECALL ACTION" EXPENSES. SPECTRUM SHALL NOT BE SUBJECT TO ANY OTHER OBLIGATIONS OR LIABILITIES, WHETHER ARISING OUT OF BREACH OF CONTRACT, WARRANTY, TORT (INCLUDING NEGLIGENCE AND STRICT LIABILITY) OR OTHER THEORIES OF LAW, WITH RESPECT TO PRODUCTS SOLD OR SERVICES RENDERED BY SPECTRUM, OR ANY UNDERTAKINGS, ACTS OR OMISSIONS RELATING THERETO.

Our Customer Service Department is ready to provide immediate attention to any questions, comments or concerns. They are available to answer your calls Monday through Friday from 7 am to 5 pm CST. In addition your product comments or concerns are welcome via e-mail at: spectrum@spectrumfurniture.com.

Warranty Table

effective 1/1/2015

Item	Warranty Period
Adjustable Crank / Electric Desk Legs	• 1 Year
Flat Panel Desk Gas Cylinders	
Chairs <ul style="list-style-type: none"> • Adjustable Height Chair Parts – including frames, gas cylinders, wood and plastic parts, control handles, casters • Adjustable Height Chair Upholstery • In-Stock Upholstery • Graded-In Fabrics and Customer Owned Material 	<ul style="list-style-type: none"> • 7 Years • 2 Years • 2 Years • No Warranty
Height Adjustable Columns and Lifts	• 1 Year
General Use Casters	
Electrical (including timers and LINAK actuators)	• 2 Years
Keyboard / Mouse Trays	• 1 Year
Flat Panel Monitor Arms <ul style="list-style-type: none"> • Flat Panel Monitor Arm – General Parts • Flat Panel Monitor Arm – Gas Cylinders 	<ul style="list-style-type: none"> • 5 Years • 2 Years
Desks and Lecterns <ul style="list-style-type: none"> • Computer Desk Chassis • Cart Chassis • Lectern Chassis 	• 10 Years

