

SPECTRUM
INDUSTRIES INC. 

Laptop Solutions



Laptop storage for the environment

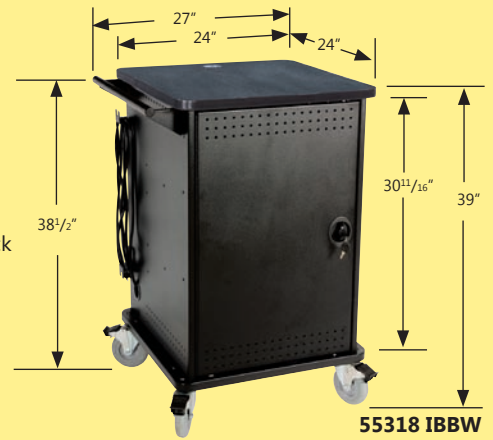
www.spectrumfurniture.com



mLT30 Laptop Cart
(netbooks or iPads)
55318 CHBBW

- ▶ **Spectrum website search: mLT30**
- ▶ Holds up to 30 **netbooks** or **iPads** up to 12" in length
- ▶ Fast, convenient and safe student access
- ▶ Power outlets on instructor-side
- ▶ Low voltage only on student-side
- ▶ Dual-bolt locking security doors, front and back
- ▶ Ultra mobile and light weight
- ▶ 5" easy glide, heavy duty balloon wheels
- ▶ Efficiently ventilated for air flow cooling
- ▶ **netbook** or **iPad** bay:
 - 4" W (side to side)
 - 12¹/₂" D (front to back)
 - 10" H (top to bottom)

Note: Each bay holds two **netbooks** or **iPads**



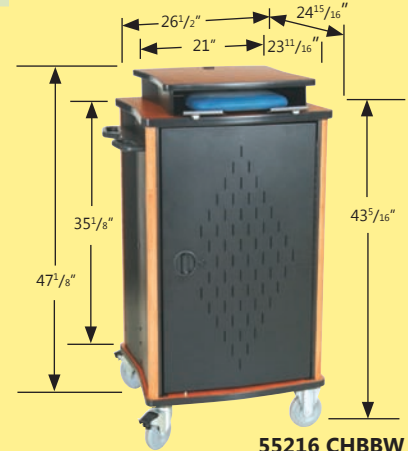
55318 IBBW
(overall dimensions)



LT15 Laptop Cart
(full size laptop)
55215 IDBW

- ▶ **Spectrum website search: LT15**
- ▶ Holds up to 15 **full size laptops**
- ▶ Storage trays pull out from front and back
- ▶ 15' Retractable Cord Reel (15 amp)
- ▶ Superior cord management
- ▶ Power outlets on instructor-side
- ▶ Low voltage only on student-side
- ▶ Dual-bolt locking security doors, front and back
- ▶ 5" easy glide, heavy duty balloon wheels (8" available)
- ▶ Efficiently ventilated for air flow cooling
- ▶ **Laptop** tray:
 - 16¹/₄" W (side to side)
 - 20⁵/₈" D (front to back)
 - 2¹/₄" H (top to bottom)

Note: Available with or with out Presentation Module

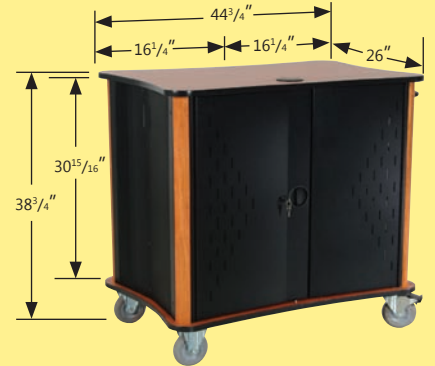


55216 CHBBW
(overall dimensions)



LT24 Laptop Cart
(full size laptop)
55174 IDBW

- ▶ **Spectrum website search: LT24**
- ▶ Holds up to 24 **full size laptops**
- ▶ Trays pull out from front and back
- ▶ Cycle charger protects against amp overload
- ▶ 15' Retractable Cord Reel (15 amp)
- ▶ Superior cord management
- ▶ Power outlets on instructor-side
- ▶ Low voltage only on student-side
- ▶ Dual-bolt locking security doors, front and back
- ▶ 5" easy glide, heavy duty balloon wheels
- ▶ Efficiently ventilated for air flow cooling
- ▶ **Laptop** tray:
 - 16¹/₄" W (side to side)
 - 20⁵/₈" D (front to back)
 - 2¹/₄" H (top to bottom)

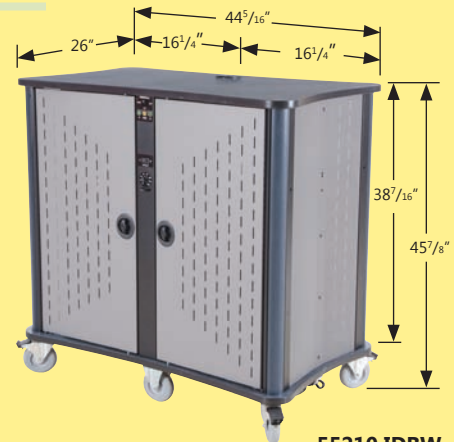


55174 CHBBW
(overall dimensions)

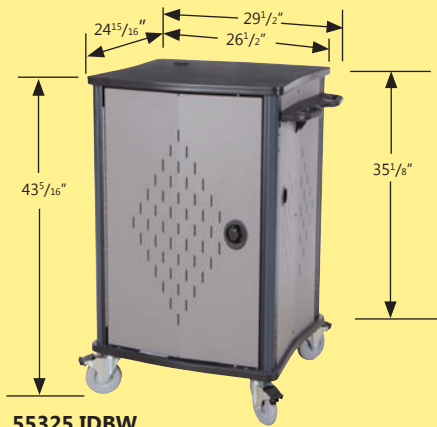


LT30 Laptop Cart
(full size laptop)
55210 CHBBW

- ▶ **Spectrum website search: LT30**
- ▶ Holds up to 30 **full size laptops**
- ▶ Trays pull out from front or back
- ▶ Cycle charger protects against amp overload
- ▶ 15' Retractable Cord Reel (15 amp)
- ▶ Superior cord management
- ▶ Power outlets on instructor-side
- ▶ Low voltage only on student-side
- ▶ Dual-bolt locking security doors, front and back
- ▶ Six 5" easy glide, heavy duty balloon wheels
- ▶ Efficiently ventilated for air flow cooling
- ▶ **Laptop** tray:
 - 16¹/₄" W (side to side)
 - 20⁵/₈" D (front to back)
 - 2¹/₄" H (top to bottom)



55210 IDBW
(overall dimensions)

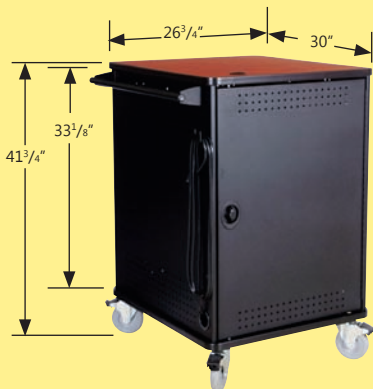


55325 IDBW
(overall dimensions)

- ▶ **Spectrum website search: netLT30**
 - ▶ Holds up to 30 **netbooks** or **iPads**
 - ▶ Convenient horizontal storage
 - ▶ Trays pull out from front and back
 - ▶ Cycle charger protects against amp overload
 - ▶ 15' Retractable Cord Reel (15 amp)
 - ▶ Two extra outlets for peripheral equipment
 - ▶ Power outlets on instructor-side
 - ▶ Low voltage only on student-side
 - ▶ Dual-bolt locking security doors, front and back
 - ▶ 5" easy glide, heavy duty balloon wheels
 - ▶ Efficiently ventilated
 - ▶ **netbook** or **iPad** tray:
 - 16 1/2" W (side to side)
 - 20 1/2" D (front to back)
 - 2 1/4" H (top to bottom)
- Note: Each tray holds two **netbooks** or **iPads**



netLT30 Laptop Cart
(**netbooks** or **iPads**)
55325 IDBW

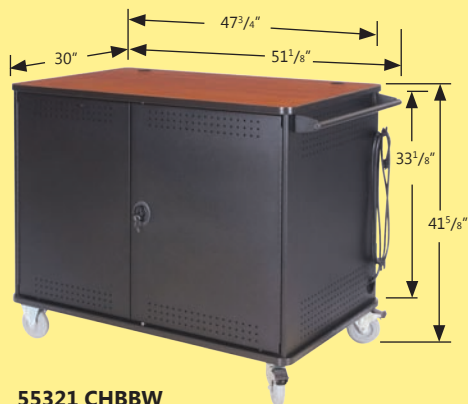


55320 CHBBW
(overall dimensions)

- ▶ **Spectrum website search: vLT15**
- ▶ Holds up to 15 **full size laptops**
- ▶ Power outlets on instructor-side
- ▶ Low voltage only on student-side
- ▶ Value is based on quality and storage cost per laptop
- ▶ Dual-bolt locking security doors, front and back
- ▶ 5" easy glide, heavy duty balloon wheels (8" balloon wheel available)
- ▶ Efficiently ventilated
- ▶ **Laptop** bay:
 - 2 5/8" W (side to side)
 - 15" D (front to back)
 - 15 7/16" H (top to bottom)



vLT15 Laptop Cart
(**full size laptop**)
55320 CHBBW



55321 CHBBW
(overall dimensions)

- ▶ **Spectrum website search: vLT30**
- ▶ Holds up to 30 **full size laptops**
- ▶ Power outlets on instructor-side
- ▶ Low voltage only, on student-side
- ▶ Optional Cycle Timer available
- ▶ Value is based on quality and storage cost per laptop
- ▶ Dual-bolt locking security doors, front and back
- ▶ Efficiently ventilated
- ▶ **Laptop** bay:
 - 2 5/8" W (side to side)
 - 15" D (front to back)
 - 15 7/16" H (top to bottom)



vLT30 Laptop Cart
(**full size laptop**)
55321 CHBBW



55185 IBBW
(overall dimensions)

- ▶ **Spectrum website search: Harbor**
 - ▶ Holds up to 32 **full size laptops**
 - ▶ Convenient access front and back
 - ▶ Modules pull out from front or back
 - ▶ Cycle charger protects against amp overload
 - ▶ Dual-bolt locking security doors, front and back
 - ▶ **Laptop** bay:
 - 2 1/2" W (side to side)
 - 14 7/8" D (front to back)
 - 14" H (top to bottom)
- Note: Unique module configurations:
- 1 module (8 laptops)
 - 2 modules (16 laptops)
 - 3 modules (24 laptops)
 - 4 modules (32 laptops)



Harbor Laptop Cart
(**full size laptop**)
55185 IBBW

Laptop Carts

www.spectrumfurniture.com puts all the product information at your fingertips
Search by product number or by name. Spectrum understands, knowledge is power.



netbooks or iPads

mLT30 (55318 CHB) - Designed to offer high quality at an incredible value in a netbook cart. Safely stores and charges up to 30 **netbooks** or **iPads**.



netbooks or iPads

netLT30 (55325 ID) - Added charging capacity for up to 30 iPads or netbooks. Easy access slide-out trays offer safe handling and trouble-free cord management.



full size laptops

LT15 (55215 ID) - Horizontal storage with pull-out trays for up to 15 laptops. Easy mobility with a very small footprint!



full size laptops

LT15 (55216 CHB) - Presenter's module added to give an extra dimension to a great laptop cart. Laptop presentations are made easy with a dedicated slide out for the instructor.



full size laptops

LT24 (55174 ID) - Easy access pull-out trays offer great cord management for up to 24 laptops. Automatic cycle charger is included for safe charging of all laptops.



full size laptops

LT30 (55210 CHB) - Horizontal pull-out trays ensure safe handling for up to 30 laptops. Dual-bolt locks provide vault-like security. Cycle timer included to protect laptops.



full size laptops

vLT15 (55320 CHB) - Advanced mobility, cord management, and security for up to 15 laptops at an extraordinary value.



full size laptops

vLT30 (55321 CHB) - Cords are hidden out of sight for up to 30 laptops. Dual-bolt locks ensure safe storage, cycle charger ensures safe laptop charging.



full size laptops

Harbor (55185 IB) - The modular setup allows flexibility to maximize cart value. A capacity for up to 32 laptops allows advanced capability for larger classrooms.



full size laptops

Secure Laptop Locker: **55101 B - Locker**
55102 - Work Surface
 Laptop locker can be bolted to the floor or wall for added security. Up to 3 lockers can be stacked and fastened together for expansion needs.