

# Assembly Instructions:

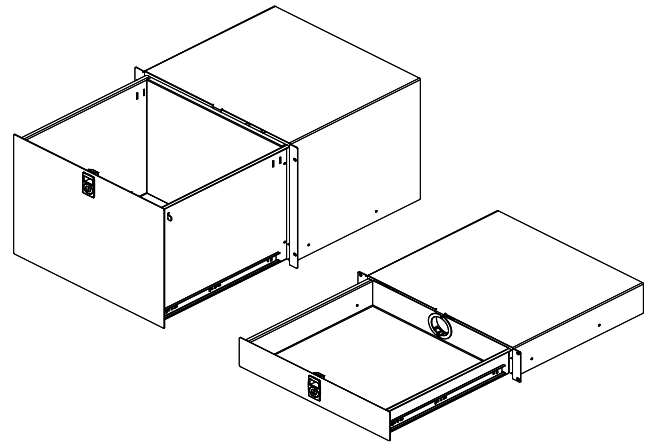
To purchase parts or accessories, please contact us at  
[www.spectrumfurniture.com](http://www.spectrumfurniture.com)  
1-800-235-1262  
Thank you for choosing Spectrum products!



(4) 050184  
10-32 x 5/8" PHMS



Before you begin, please make sure all parts and proper quantities are included. Any parts damaged during shipment must be reported within 15 days of receipt. To report information regarding damages or if you have any questions, please call 1-800-235-1262.



**Rack-Mount Drawers**  
#97515 (8RU) File Drawer  
#97514 (2RU) Drawer

Tools Required:  
Phillips screwdriver

## 1. Attaching Drawers to Rack Rail

- For your application, determine the most convenient mounting location for the drawer on the rack rail. #97515 requires 8RU, and #97514 requires 2RU. Be sure the drawer will not interfere with wires or other components.
- Make sure all 4 mounting holes line up with rack rail holes. Using a Phillips screwdriver and (4) 10-32 x 5/8" PHM screws, attach the drawer to the rack rail and tighten securely. **Figure 1.** (Be sure the drawer is supported while installing the screws.)

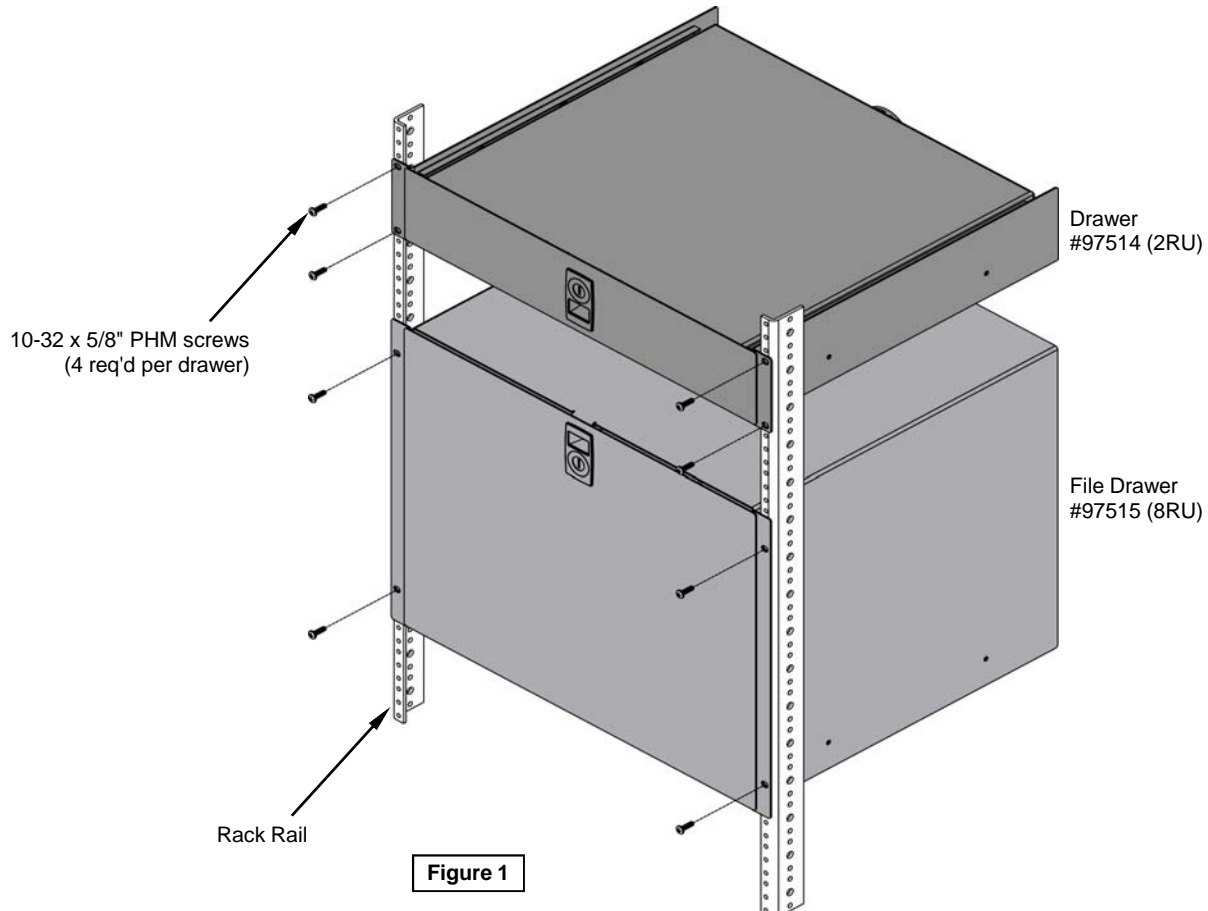


Figure 1