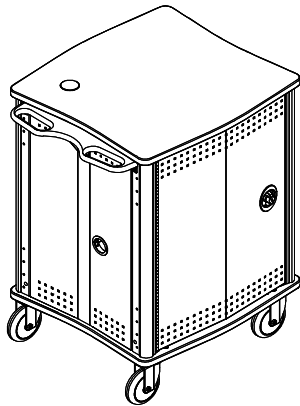


# Compact Presentation Lectern

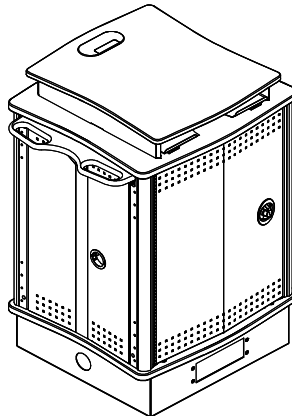
55218 - CPL  
55217 - CPL w/ Presentation Module

Choose (one) of the following  
designations and add to part #:

**BW** - Balloon Wheels  
**TK** - Toe Kick



55218BW



55217TK  
(w/ Presentation Module)

The Compact Presentation Lectern (CPL) is an integration-capable lectern designed to simplify the use and equipping of multi-media classrooms and is combined with the mobility of an easy-to-use lectern.

## Features and Benefits

- Scratch and impact-resistant  $1\frac{1}{16}$ " high-pressure laminate work surface
- One standard recycled plastic handle allows easy control and mobility
- Four 5" swivel locking balloon wheels (BW) roll easily and quietly on uneven surfaces
- Toe kick (TK) version available
- 15' retractable 15-amp power cord reel provides quick and easy power-access
- Optional adjustable-height, flip-up document camera/task shelf provides a convenient additional work surface
- Presentation module version allows use as a presentation cart
- Rack-rail equipment mounting and enough storage space for an internal CPU
- Double-bolt, keyed locking front and rear doors provide security and easy-access to audio, video, and multi-media equipment
- Ventilated side and door panels keep equipment cool
- Cable grommets keep wires and cords organized
- One standard 8-outlet power strip included
- Guaranteed to be free of all defects in materials and workmanship with a 10-year warranty

## Construction

- The work surface is constructed from  $1\frac{1}{16}$ " thick industrial-grade composite board with .030 high-pressure laminate on one face, and a balancing phenolic backer on the opposing face
- Metal components consist of 16-gauge and 20-gauge steel
- 16-gauge steel doors
- Steel corner columns
- Work surface edges are covered with 3mm vinyl
- All metal components are finished with a scratch-resistant powder coat epoxy
- Each CPL is factory-assembled w/ casters or toe kick, packaged, and shipped on its own skid (handle to be installed by customer)

## Capacity

- Overall dimensions:
  - 55218BW:  $26\frac{1}{4}$ "W x  $24\frac{11}{16}$ "D x  $38\frac{13}{16}$ "H
  - 55217BW:  $26\frac{1}{4}$ "W x  $24\frac{11}{16}$ "D x  $42\frac{7}{8}$ "H (w/ Presentation module)
  - 55218TK:  $26\frac{1}{4}$ "W x  $24\frac{11}{16}$ "D x 39"H
  - 55217TK:  $26\frac{1}{4}$ "W x  $24\frac{11}{16}$ "D x 43"H (w/ Presentation module)
- Total internal area:  $21\frac{1}{2}$ "W x  $20\frac{1}{2}$ "D x  $30\frac{1}{2}$ "H
- Presentation module dimensions: 21"W x  $23\frac{7}{8}$ "D x 4"H
- Presentation module pull-out tray dimensions:  $17\frac{1}{8}$ "W x  $15\frac{1}{16}$ "D x  $2\frac{5}{8}$ "H
- Adjustable-height, flip-up document camera/task shelf is  $18\frac{3}{8}$ "W x  $22\frac{7}{8}$ "D
- Standard rack rail provides 16RU
- Standard 15' retractable, 15-amp power cord reel
- The 5" balloon wheels have a weight capacity of 325 lbs each (1300 lbs max total unit weight)
- Meets or exceeds all ANSI-BIFMA test standards
- Features and specifications subject to change without notice
- **Unit weights (nominal):**
  - 55217 - 148 lbs (w/ Presentation module)
  - 55218 - 129 lbs
- **Shipping weights (nominal):**
  - 55217 - 185 lbs (w/ Presentation module)
  - 55218 - 164 lbs

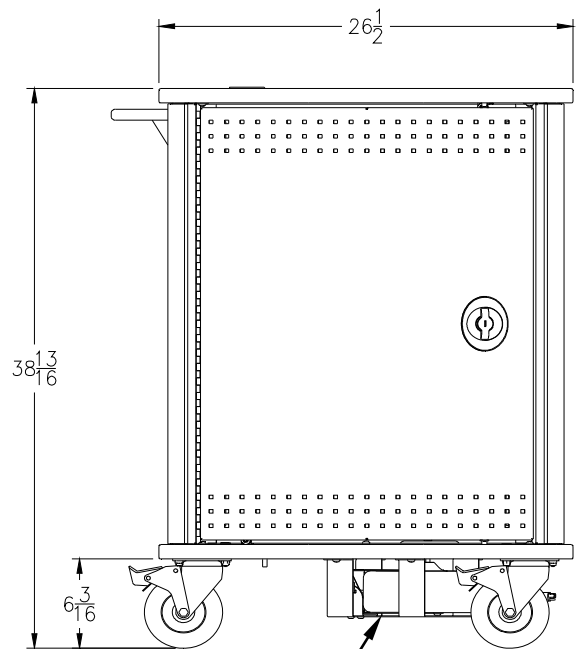
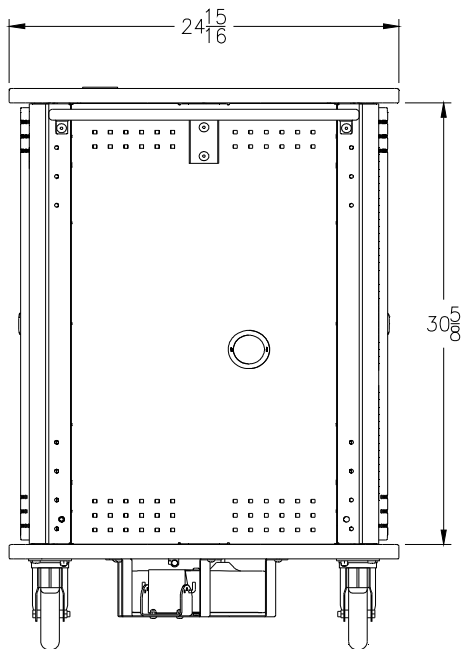
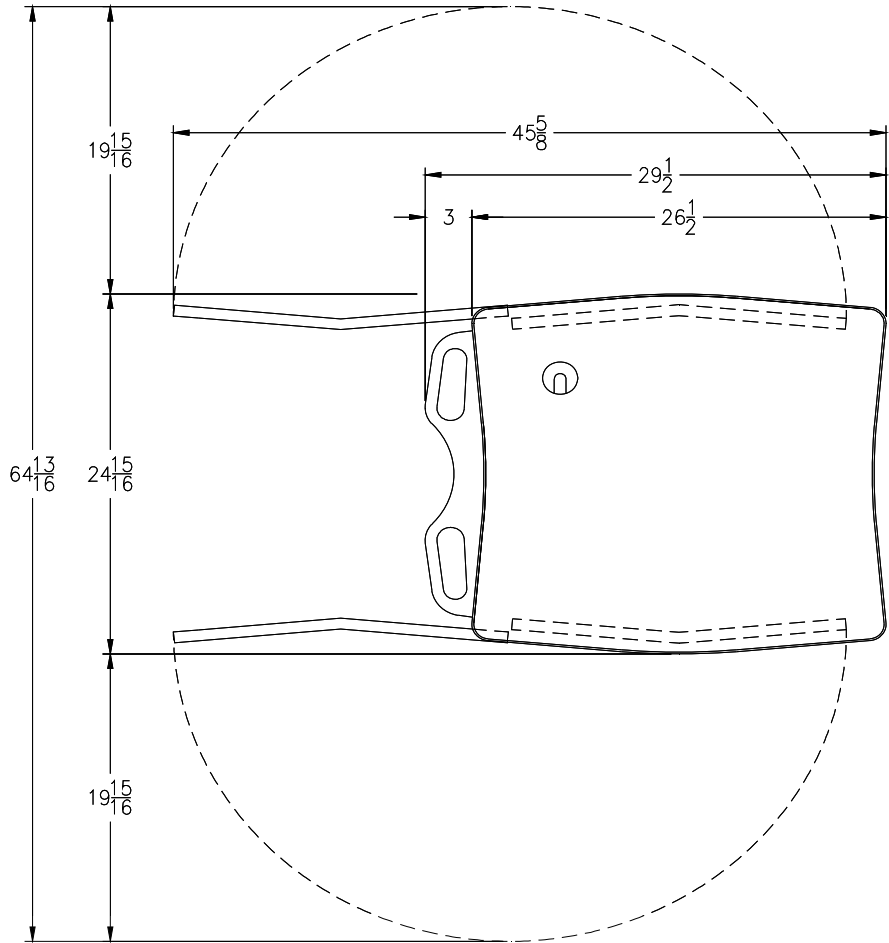
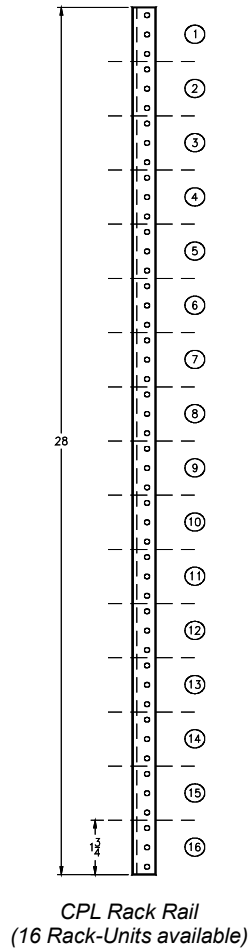
## Color Options

Standard laminate / Color combinations:

- Wild Cherry / Black (CHB)
- Indigo Organix / Dark Gray (ID)
- Bannister Oak / Black (KB)
- Bannister Oak / Putty (KP)

Standard color combination refers to the quickest deliverable product color combination. Custom laminates and color combinations are available-additional lead-times and up-charges may apply. Call 800-235-1262 for further information.

**55218BW**  
**Compact Presentation Lectern**

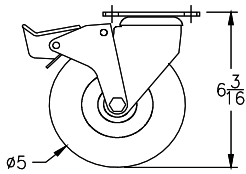


Standard 15' Retractable  
Cord Reel (15-amp)

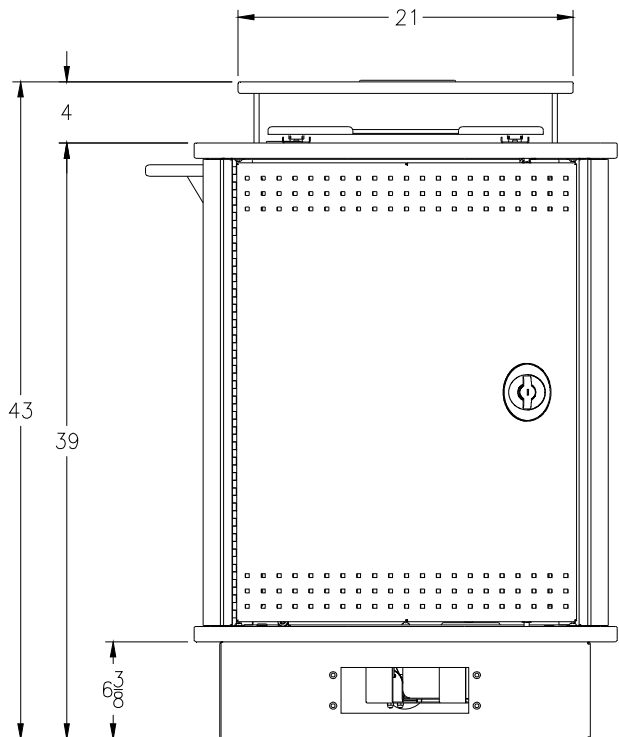
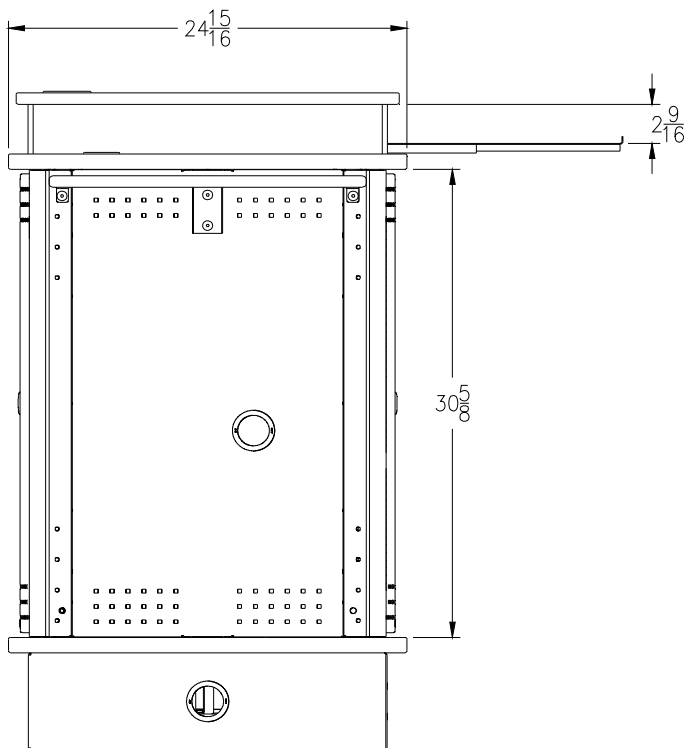
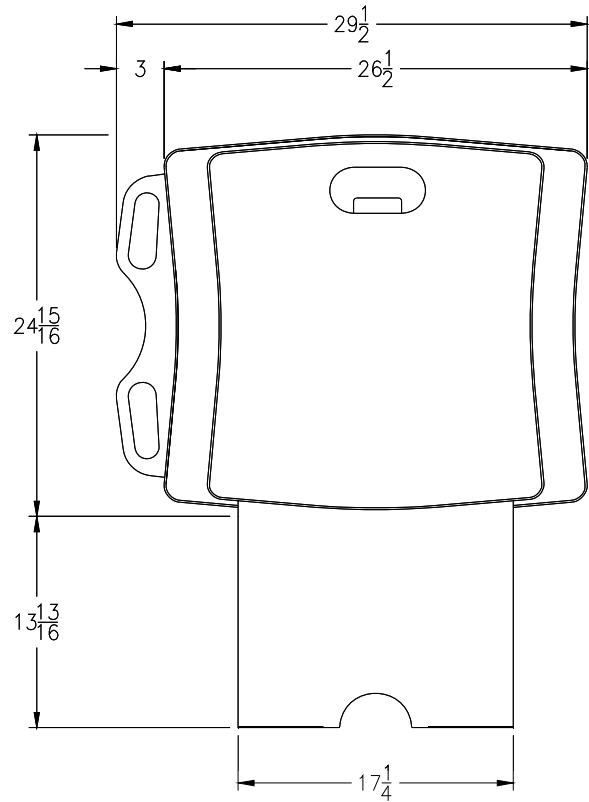
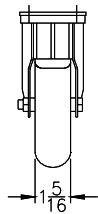
**55217TK**  
**Compact Presentation Lectern**  
**w/ Presentation Module**

**Note:** Modified work surface cut-outs should be reviewed by Spectrum Tech Service or Engineering to ensure clearance of brackets, keyboard slides, or other objects under the work surface.

**Note:** The standard CPL comes with rack rails mounted in the front (instructor-side) position. They can be moved to the rear position (student-side) if required.

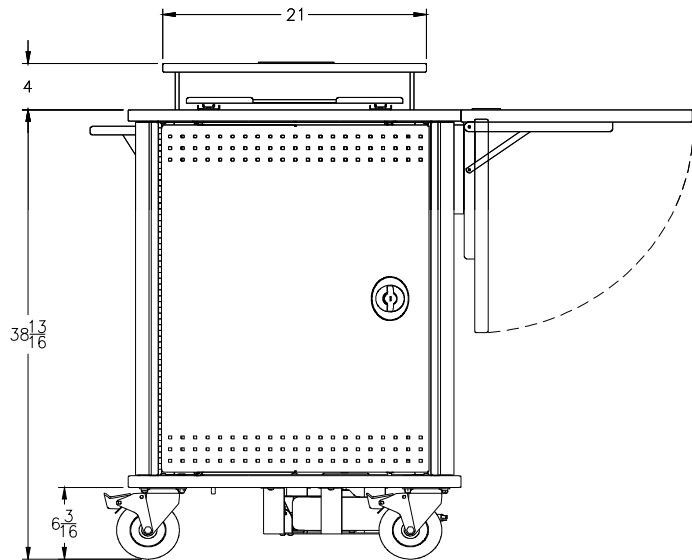
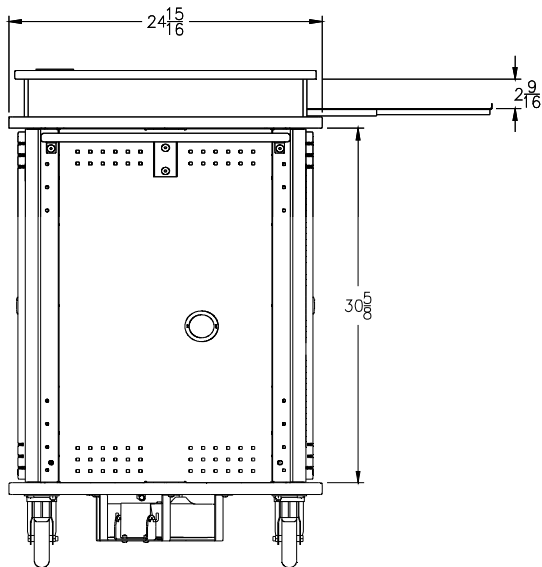
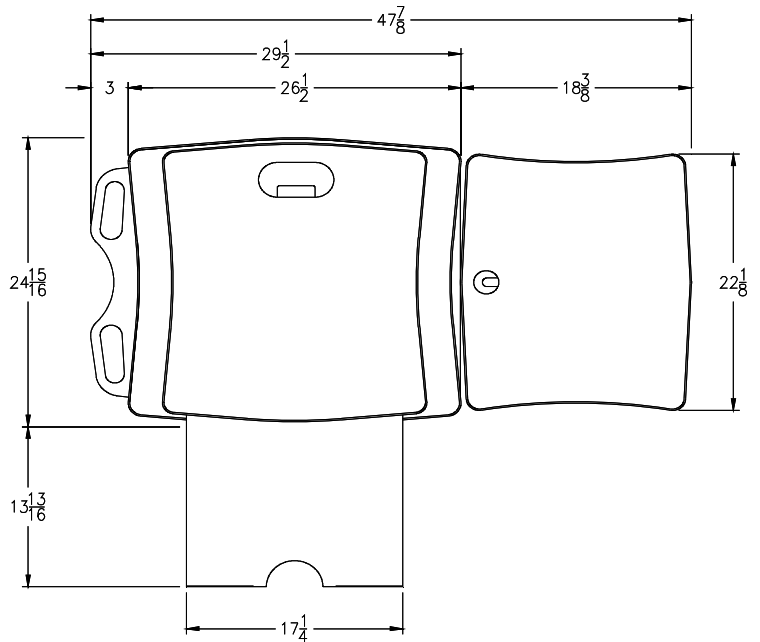


5" Balloon Wheel

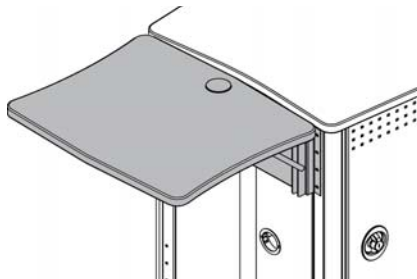


**55217BW**  
**Compact Presentation Lectern w/ Presentation Module**  
 (Shown w/ optional Flip-up shelf)

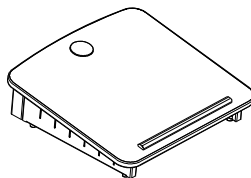
**Note:** The handle and shelf are interchangeable and can be mounted on either side.



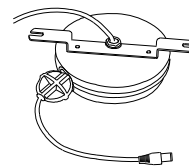
**CPL Options**



**Flip-up Document Camera/Task Shelf**  
 adjustable-height, mounts on left or right  
 18<sup>3</sup>/<sub>8</sub>"W x 22<sup>1</sup>/<sub>8</sub>"D (150 lbs max load)  
 55219



**Riser Podium**  
 18"W x 17<sup>13</sup>/<sub>16</sub>"D  
 95002

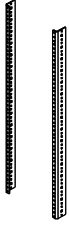


**Data Cord Reel**  
 w/ 14' CAT 5 cord & plugs  
 99026

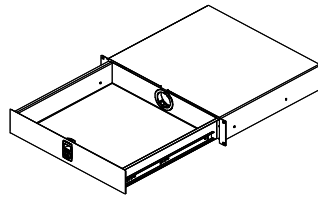


**Replacement Key Set**  
 for double-bolt lock  
 55142

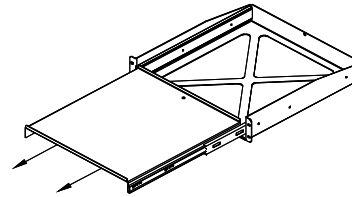
## Rack-mount accessories



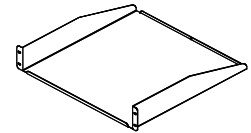
**Rear rack rail kit for CPL**  
adds 16RU  
(17<sup>3</sup>/<sub>8</sub>" between front and rear  
rails when installed)  
55221



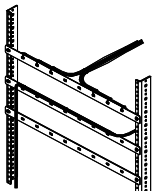
**Locking Drawer (3RU)**  
interior dims: 15<sup>3</sup>/<sub>4</sub>"W x  
13<sup>1</sup>/<sub>16</sub>"D x 2<sup>7</sup>/<sub>8</sub>"H  
(25 lbs max load)  
97514



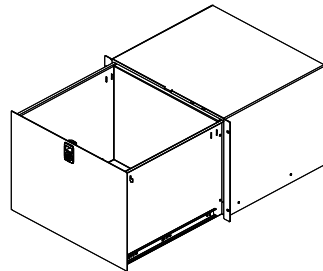
**Pull-Out Shelf (2RU)**  
16<sup>1</sup>/<sub>2</sub>"W x 17<sup>3</sup>/<sub>4</sub>"D  
(50 lbs max load)  
97505



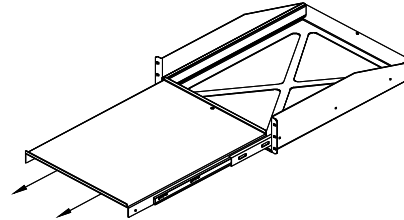
**Cantilever Shelf (2RU)**  
17<sup>1</sup>/<sub>2</sub>"W x 18"D x 3<sup>1</sup>/<sub>2</sub>"H  
(50 lbs max load)  
97504



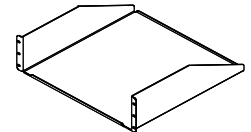
**Wire Lace Kit**  
3 Lace Straps included  
95517



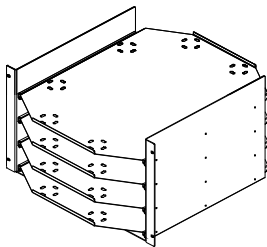
**Locking File Drawer (8RU)**  
includes file holder  
interior dims: 15<sup>3</sup>/<sub>4</sub>"W x 13<sup>9</sup>/<sub>16</sub>"D  
x 13<sup>5</sup>/<sub>16</sub>"H  
(50 lbs max load)  
97515



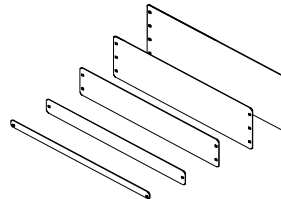
**Pull-Out Shelf (3RU)**  
16<sup>1</sup>/<sub>2</sub>"W x 21<sup>3</sup>/<sub>4</sub>"D  
(80 lbs max load)  
97503



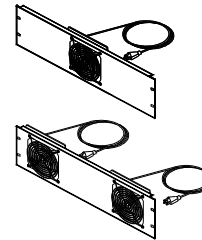
**Cantilever Shelf (3RU)**  
17<sup>1</sup>/<sub>2</sub>"W x 18"D x 5<sup>1</sup>/<sub>4</sub>"H  
(80 lbs max load)  
97502



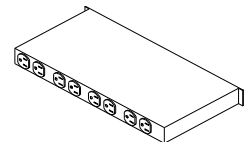
**LT-4 Laptop Storage Unit (7RU)**  
(stores 4 laptops horizontally)  
laptop tray dims:  
16<sup>1</sup>/<sub>4</sub>"W x 20<sup>1</sup>/<sub>2</sub>"D x 2<sup>3</sup>/<sub>16</sub>"H  
97517



**Rack-Mount Blanks**  
(fills rack spaces where  
components are not needed)  
97516 - (1/2RU)  
97510 - (1RU)  
97511 - (2RU)  
97512 - (3RU)  
97513 - (4RU)



**Cooling Fans (3RU)**  
19"W x 2"D x 5<sup>1</sup>/<sub>4</sub>"H  
Single Fan-97507  
Double Fan-97506



**9-Outlet Power Strip (1RU)**  
19"W x 9"D x 1<sup>3</sup>/<sub>4</sub>"H  
99021

## Warranty

### **WE WILL MAKE IT RIGHT FOR YOU!**

We guarantee all Spectrum products to be free of all defects in materials and workmanship, for the original owner, for a period of **ten years**. Any item deemed defective by Spectrum or the original manufacturer, under normal use conditions, will be repaired or replaced at Spectrum's discretion. This warranty applies to all products manufactured and distributed by Spectrum except the products listed below.

**DESIGNED FOR INDOOR USE ONLY** - Spectrum's products have been designed and constructed for indoor use only. Moving or using outdoors, or on excessively rough surfaces, may cause damage to the products and may void the warranty. If an outdoor application is desired please contact us to discuss potential custom design solutions. Spectrum is committed to provide complete customer satisfaction. Each of our products are manufactured from the best materials available and each product is stringently monitored throughout the production process through our P.A.C.E. program (Product Assurance to meet Customer Expectations).

Our Customer Service Help Line 1-800-235-1262 is ready to provide immediate attention to any questions, comments or concerns. We are available to answer your calls Monday through Friday from 7 am to 5 pm CST. In addition your product comments or concerns are welcome via e-mail at: [spectrum@spectrumfurniture.com](mailto:spectrum@spectrumfurniture.com). The warranty, as stated above, is effective as of 05/28/2009



925 First Avenue, PO Box 400, Chippewa Falls, WI 54729 Ph: 1-800-235-1262 Fax: 1-800-335-0473  
E-mail: [spectrum@spectrumfurniture.com](mailto:spectrum@spectrumfurniture.com) web: [www.spectrumfurniture.com](http://www.spectrumfurniture.com)