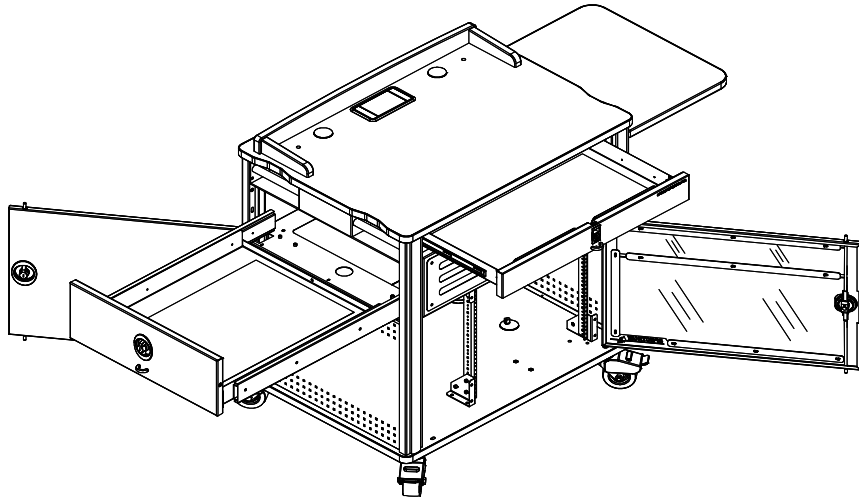


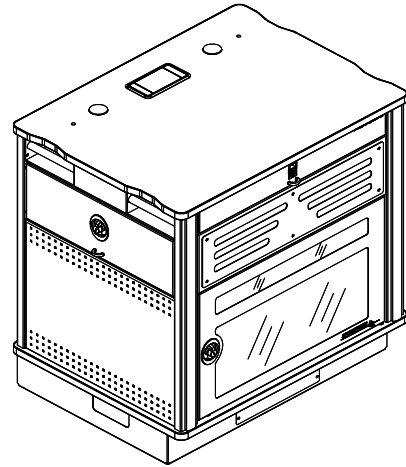
Media Manager V2 Lectern

55236HD - LH Drawer w/ Heavy-Duty Casters
55236HDS - LH Drawer w/ Heavy-Duty Casters & Surround
55236TK - LH Drawer w/ Toe Kick
55236TKS - LH Drawer w/ Toe Kick & Surround

55237HD - RH Drawer w/ Heavy-Duty Casters
55237HDS - RH Drawer w/ Heavy-Duty Casters & Surround
55237TK - RH Drawer w/ Toe Kick
55237TKS - RH Drawer w/ Toe Kick & Surround



55236HDS
Media Manager V2 w/ LH Drawer,
Heavy-Duty casters & Surround



55236TK
Media Manager V2 w/ LH Drawer & Toe Kick

The Media Manager V2 Lectern is the next-generation of technology lecterns designed to effectively manage the wide array of multi-media equipment and peripherals needed for visual lectures and presentations. Loaded with standard features, the Media Manager is easily moved from room to room and spacious enough to house a wide variety of multimedia equipment.

Features and Benefits

- Pull-out locking drawer on full-extension ball bearing drawer slides with two-point lock system provides security and quick access to a document camera.
- Anti-skid pad in the bottom of drawer prevents camera movement.
- Standard, flip-up document camera/task shelf with cord grommet provides a convenient additional work surface
- Drawer and flip-up shelf are interchangeable and can be mounted on the left or right-side of the unit
- Full-width, pull-out locking laptop storage drawer/keyboard tray provides easy-access and secure storage for a laptop or keyboard with a flip-down wrist pad that provides keyboarding comfort
- Double-bolt, keyed locking front and rear door provides security and easy-access to the front and rear of the unit
- Quick-release door hinges allow doors to be removed for full-access to internal equipment
- Removable acrylic viewing/access panel on the front door provides easy monitoring and access to internal equipment
- 4" swivel locking casters, or toe kick version available
- Ventilated side panels keep equipment cool
- Scratch and impact resistant 1¹/₁₆" high-pressure laminate work surface
- One rectangular work surface grommet provides cable access or the ability to mount a power / communication module
- Two 2" cable grommets (left and right) on the work surface provides cable access or the ability to mount power / data domes
- Cable grommets throughout the unit keep wires and cords manageable
- Recessed handles on both ends of cart for better control when mobile
- Standard 15' retractable 15-amp power cord reel provides quick and easy power-access
- With enough storage space for an internal CPU, left or right-mountable rack-rail simplifies installation for any equipment configuration
- Pre-drilled left and right monitor arm mounting holes with caps allow easy installation of a monitor arm
- Quick-change front and rear logo/cord-access panels simplify adding or changing logos and accessing cords
- Wide variety of options and accessories allow unit to be configured to most situations
- Guaranteed to be free of all defects in materials and workmanship with a 10-year warranty

Construction

- The work surface and base panel are constructed from 1¹/₁₆" thick industrial-grade composite board with .030 high-pressure laminate on one face, and a balancing phenolic backer on the opposing face
- Metal components consist of 16-gauge and 20-gauge steel
- 16-gauge steel doors and corner columns
- Work surface edges are covered with 3mm vinyl
- All metal components are finished with a scratch-resistant powder coat epoxy
- Solid wood corner trim
- Each Media Manager V2 Lectern is factory-assembled w/ casters, packaged, and shipped on its own skid

Color Options

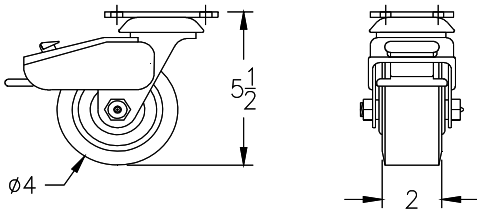
Standard laminate / Color combinations:

- Wild Cherry / Black (CHB)
- Indigo Organix / Dark Gray (ID)

Standard color combination refers to the quickest deliverable product color combination. Custom laminates and color combinations are available- additional lead-times and up-charges may apply. Call **800-235-1262** for further information.

Capacity

- Overall dimensions: 38¹/₁₆"W x 28⁷/₁₆"D x 43¹³/₁₆"H (Drawers closed and shelf flipped down)
- Storage drawer/keyboard tray is 28³/₄"W x 15"D x 3"H
- Total internal area of 34¹/₂"W x 25"D x 19"H
- The CPU area is 12"W x 25"D
- Standard rack rail provides 11RU
- Pull-out locking document camera drawer is 22⁵/₁₆"W x 26¹⁵/₁₆"D (8" top to bottom clearance)
- The standard flip-up document camera shelf is 23⁷/₁₆"W x 18¹/₁₆"D x 1" thick, and can support a maximum of 150 lbs. Shelf hinges lock into place in the upright position
- Rectangular work surface grommet is 7¹/₄"W x 3⁷/₈"D
- The 4" casters have a weight capacity of 300 lbs each (1200 lbs max total unit weight)
- Standard 15' retractable 15-amp cord reel w/ breaker and 12 ga cord
- Meets or exceeds all ANSI-BIFMA test standards
- Features and specifications subject to change without notice
- **Shipping weights:**
 55236HD, 55237HD - 334 lbs (w/ casters)
 55236TK, 55237TK - 354 lbs (w/ toe kick)
 55236HDS, 55237HDS - 334 lbs (w/ casters & surround)
 55236TKS, 55237TKS - 354 lbs (w/ toe kick & surround)



4" Heavy-Duty caster (HD)

Designed for indoor use only

Spectrum carts and lecterns are designed and constructed for indoor use only. Moving or using outdoors or on excessively rough surfaces may cause damage to the cart or casters and may void the warranty.

If an outdoor application is desired, please contact us to discuss potential custom design

Note: Modified work surface cut-outs should be reviewed by Tech Service to ensure clearance of brackets, keyboard slides, or other objects under the work surface.

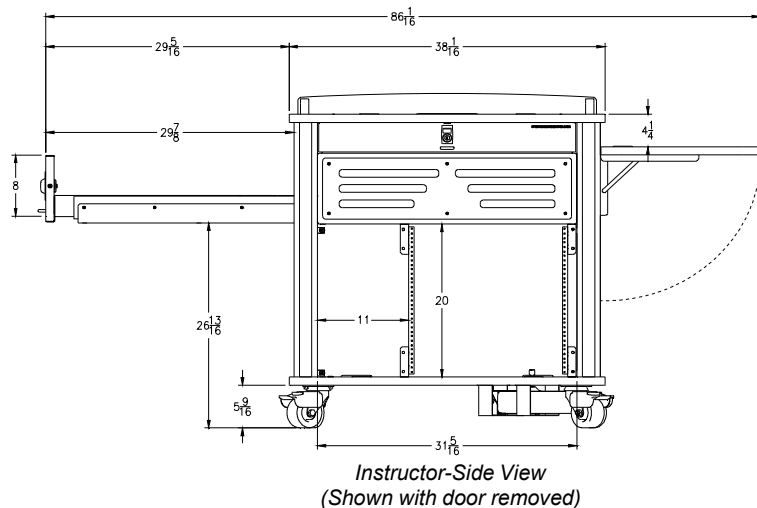
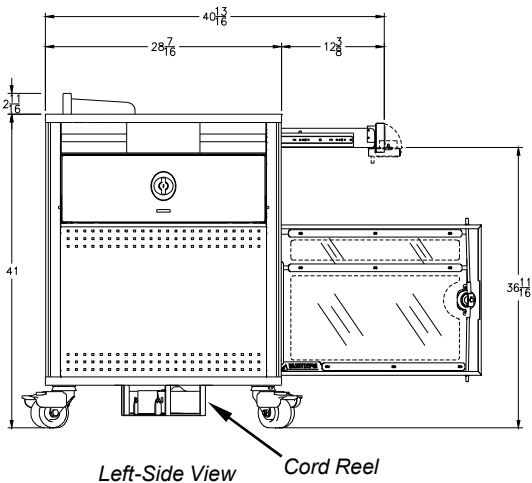
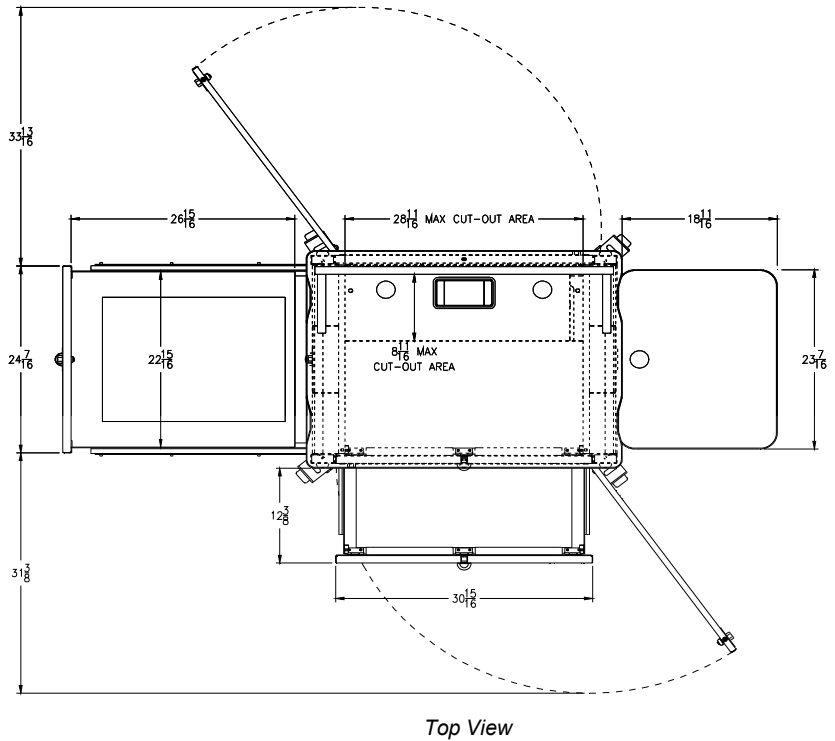
55236HDS Standard Left-Hand Drawer "As-Shipped" Configuration

- Document Camera Drawer opens on left side of unit
- Flip-up shelf mounted on the right side
- Right-hinged doors
- Rack Rail mounted in right-side position
- Right-mounted cord reel

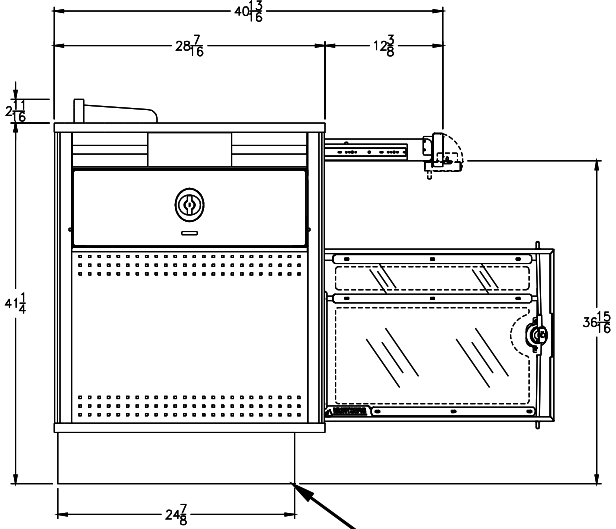
Note: It is possible for the customer to switch the Document Camera Drawer, Flip-up Shelf, Rack Rail, and Cord Reel to the opposite side of the unit after purchase, but not recommended. Contact Spectrum for further information.

Note: On multiple carts, drawer and door locks can be keyed the same or differently. A modification can be made to key the locks on a single cart differently or to key all the carts differently-an upcharge and lead-time will apply. (Standard locks are all keyed the same.)

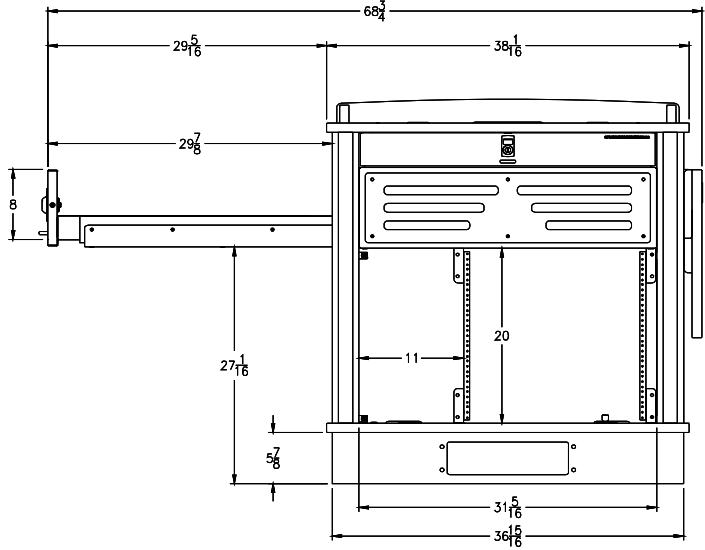
55236HDS Media Manager V2 w/ Casters & Surround



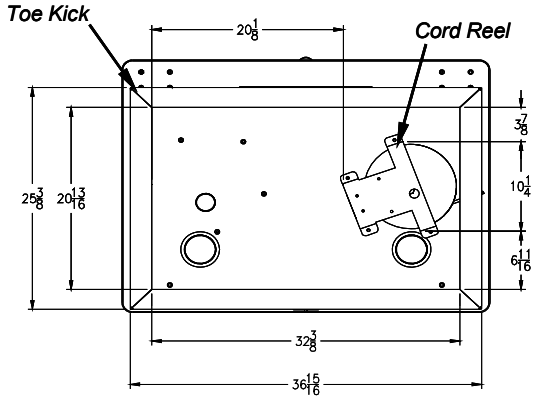
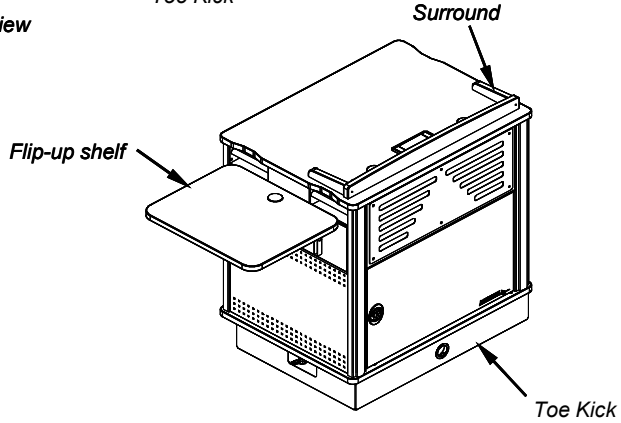
55236TKS
Media Manager V2 w/ Toe Kick & Surround



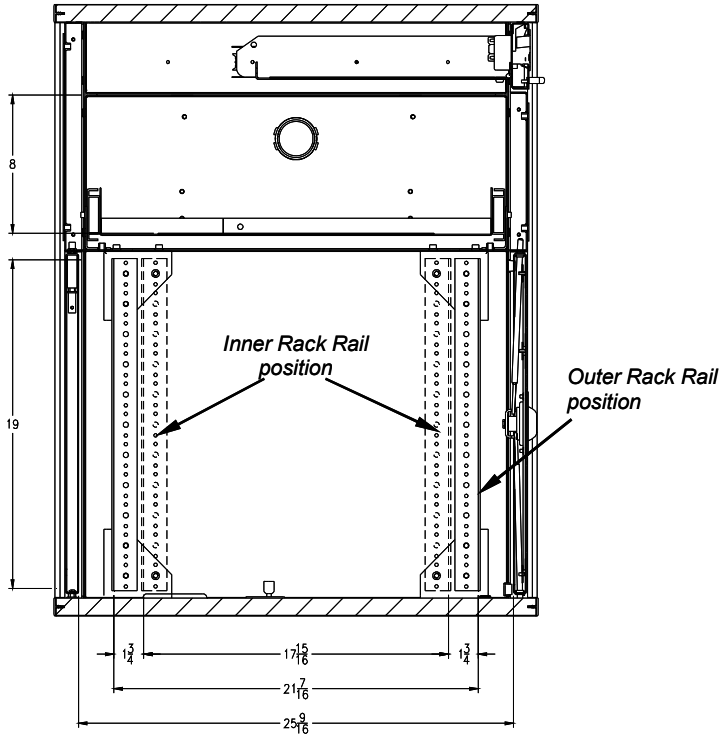
Left-Side View



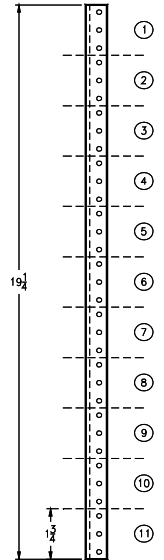
**Instructor-Side View
 (shown with door removed)**



Bottom View

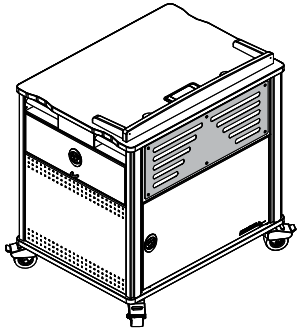


**Media Manager V2
 Section View**

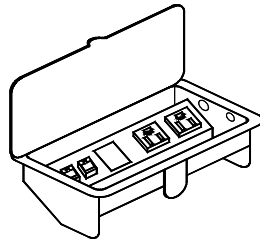


**Media Manager Rack Rail
 (11 Rack-Units available)**

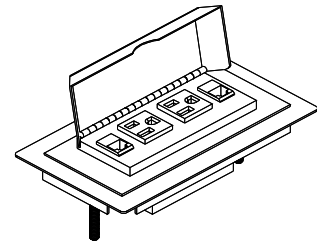
Media Manager Lectern V2 Options



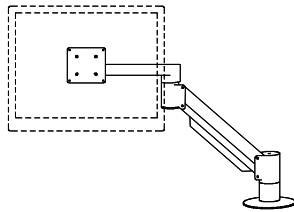
Custom-Cut Logo Panel
(student-side)
55241



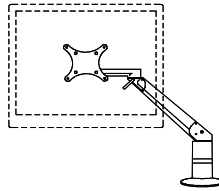
Power/Communication Module
w/9' power cord, two outlets, two data jacks
7¹/₈"W x 3⁵/₈"D
99002 (w/mic jack)
99003 (w/out mic jack)



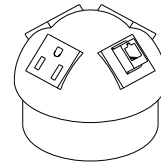
UL Listed Power/Communication Module
w/9' power cord, two outlets, two data jacks, and
adapter plate
7¹/₈"W x 3⁵/₈"D x 3³/₄"H
99028



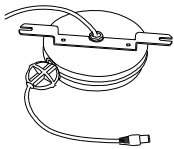
Flat Panel Monitor Arm
95512 (for monitors weighing 4-14.5 lbs)
95522 (for monitors weighing 9-24 lbs)
95509 (for monitors weighing 12-29 lbs)



Evo Flat Panel Monitor Arm
95523 (for 15"-19" monitors weighing 6-13 lbs)
95524 (for 19"-21" monitors weighing 13-21 lbs)



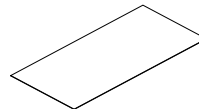
Power / Data Dome
includes two power outlets & two
RJ45 data jacks
99025



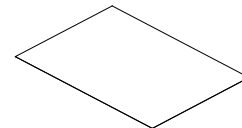
Data Cord Reel
w/ 14' CAT 5 cord & plugs
99026



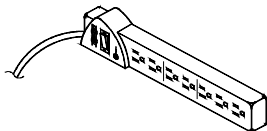
Replacement Key Set
for 2-pt lock
55142



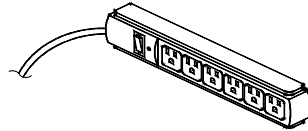
Non-Slip CPU Pad
11"W x 23"D
95518



Non-Slip Pad
24"W x 17"D
95508

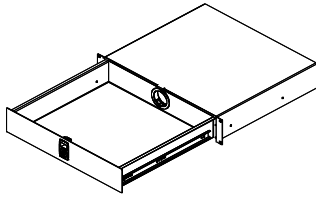


7-Outlet Power Strip, insured
w/surge protector, bracket, and 12' cord
10"W x 2"D x 1¹/₈"H
99024

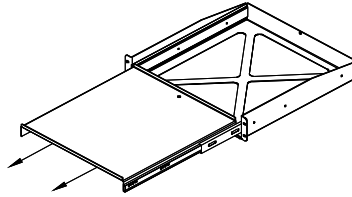


6-Outlet Power Strip
w/ 12' cord
11⁵/₁₆"W x 1¹/₁₆"D x 1³/₁₆"H
99023

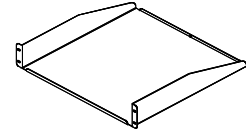
Rack-mount accessories



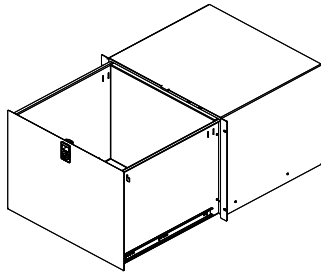
Locking Drawer (3RU)
interior dims: $15\frac{3}{4}$ "W x $13\frac{11}{16}$ "D x $2\frac{7}{8}$ "H
(25 lbs max load)
97514



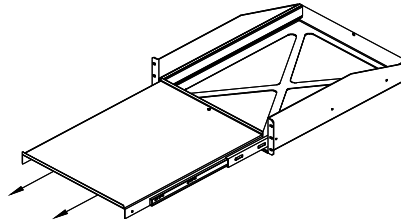
Pull-Out Shelf (2RU)
 $16\frac{1}{2}$ "W x $17\frac{3}{4}$ "D
(50 lbs max load)
97505



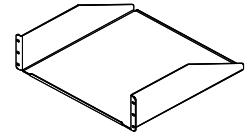
Cantilever Shelf (2RU)
 $17\frac{1}{2}$ "W x 18"D x $3\frac{1}{2}$ "H
(50 lbs max load)
97504



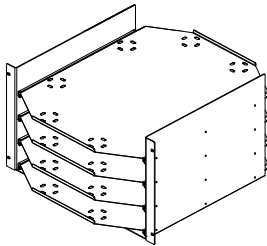
Locking File Drawer (8RU)
includes file holder
interior dims: $15\frac{3}{4}$ "W x $13\frac{9}{16}$ "D x $13\frac{5}{16}$ "H
(50 lbs max load)
97515



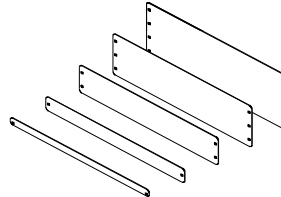
Pull-Out Shelf (3RU)
 $16\frac{1}{2}$ "W x $21\frac{3}{4}$ "D
(80 lbs max load)
97503



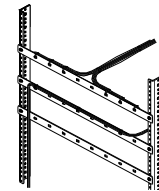
Cantilever Shelf (3RU)
 $17\frac{1}{2}$ "W x 18"D x $5\frac{1}{4}$ "H
(80 lbs max load)
97502



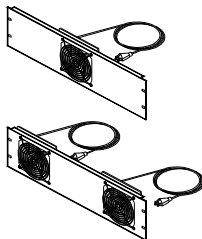
LT-4 Laptop Storage Unit (7RU)
(stores 4 laptops horizontally)
laptop tray dims:
 $16\frac{1}{4}$ "W x $20\frac{1}{2}$ "D x $2\frac{3}{16}$ "H
97517



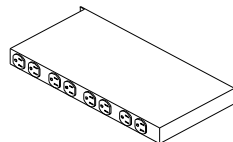
Rack-Mount Blanks
(fills rack spaces where
components are not needed)
97516 - ($\frac{1}{2}$ RU)
97510 - (1RU)
97511 - (2RU)
97512 - (3RU)
97513 - (4RU)



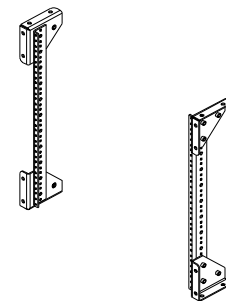
Wire Lace Kit
3 lace straps included
95517



Cooling Fans (3RU)
 19 "W x 2 "D x $5\frac{1}{4}$ "H
Single Fan-97507
Double Fan-97506



9-Outlet Power Strip (1RU)
 19 "W x 9 "D x $1\frac{3}{4}$ "H
99021



**Media Manager V2
Rear Rack Rail Kit**
11RU
55238