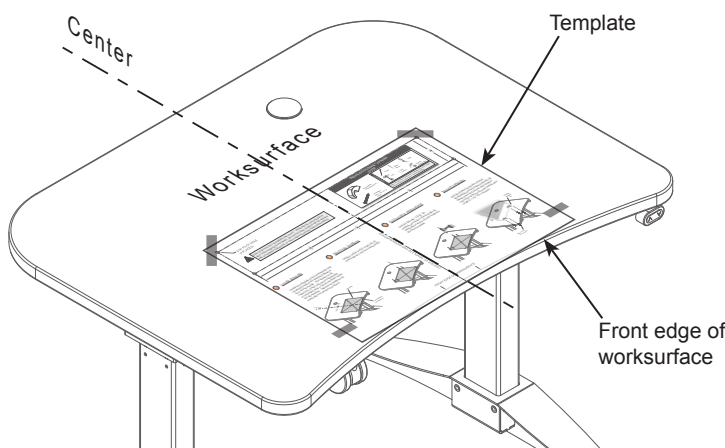


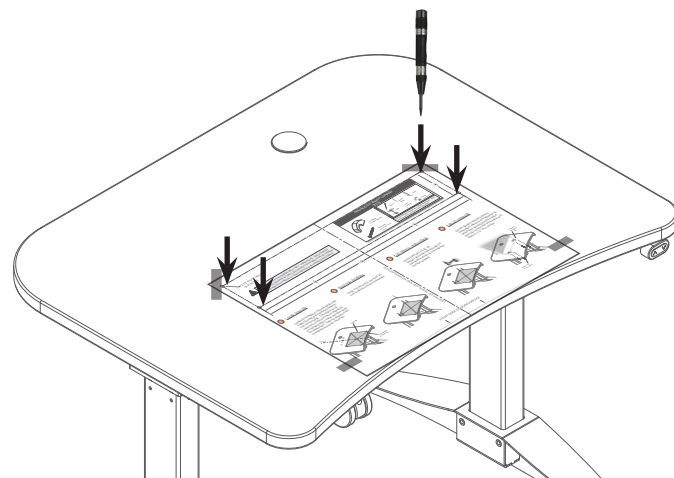
1 Locate template

Center this template on the worksurface and locate the holes at the preferred distance from the front edge. This location is the customer's choice and may be dependent on keyboard trays or frame members under the worksurface. Tape the template to the worksurface to prevent movement.



2 Mark hole locations

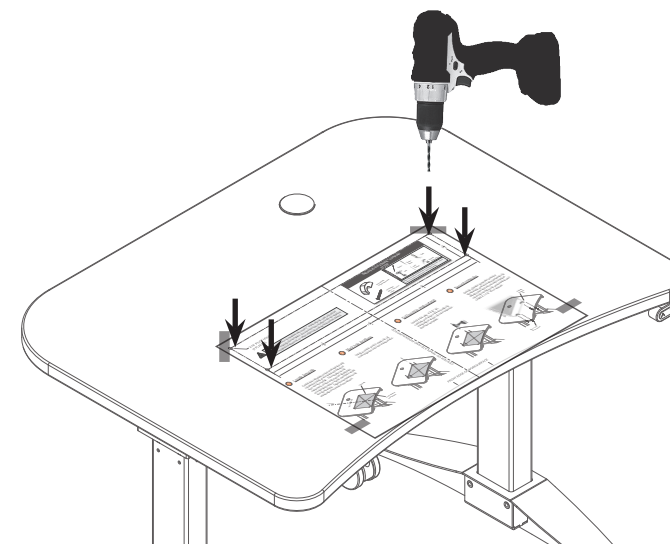
Using a center punch, mark the (4) hole locations onto the worksurface.



3 Drill holes in worksurface

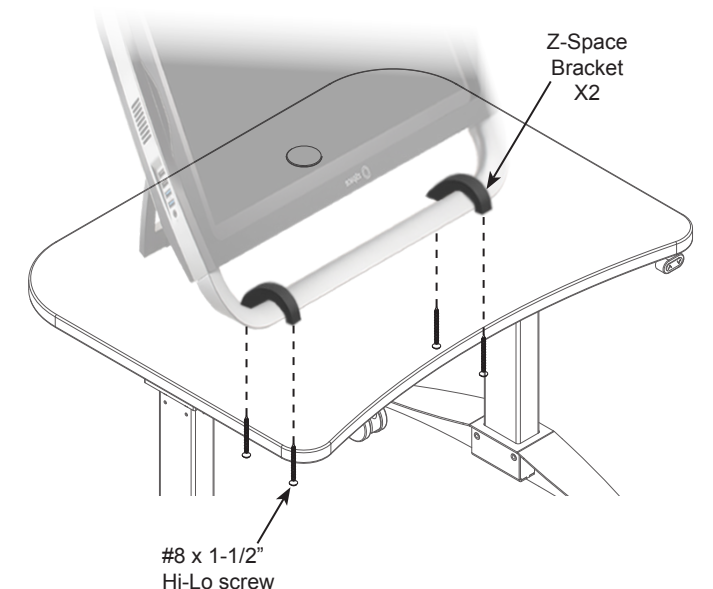
Using a drill with a 3/16" bit, carefully and slowly drill through the worksurface at the (4) hole locations. Remove template.

Note: If your worksurface has wires underneath, temporarily unclip and move the wire to avoid damage while drilling.



4 Secure computer

Set the zSpace computer onto the worksurface with the frame between the drilled holes and secure each bracket (over the frame) to the worksurface with (2) #8 X 1-1/2" Hi-Lo screws.



CENTER OF TEMPLATE AND WORKSURFACE

FRONT EDGE OF WORKSURFACE