

Assembly Instructions

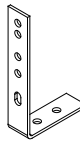
⚠ Important ⚠

Before you begin, read and comply with all safety and operating instructions, and ensure all parts and correct quantities are included.

Any parts damaged during shipment must be reported within 5 days of receipt. To report information regarding missing parts or damage, to purchase parts or accessories, or if you have any questions, please contact us.

www.spectrumfurniture.com
800-235-1262, 715-723-6750

Thank you for purchasing Spectrum products!



(4) 050881
'L' Bracket



(2) Rack Rail
42" - 050067
36" - 044922



(8) 052605
1/4-20 x 15mm
JC bolt



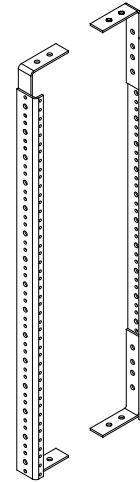
(8) 0101382
#14 x 7/8" PHSM
screw



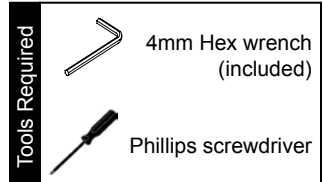
(8) 041943
1/4-20 Locknut



(1) 025039
4mm Hex wrench



Rear Rack Rail Kit for Inspiration Lectern 36" - 55408 42" - 55407



1. Attach rack rail 'L' brackets to lectern

- Each rack rail requires an upper and lower "L" bracket. Open rear door. Attach each lower bracket to the base panel as shown with (2) #14 x 7/8" PHSM screws, but do not tighten completely. **Figure 1.**

Note: The side of the bracket with the two holes will mount either to the base panel or worksurface.

- Repeat this procedure for the 2 upper brackets on the underside of the worksurface.

2. Attach rack rails to brackets

- Using 1/4-20 x 15mm JC bolts and locknuts, attach the rack rails to the outside (toward the side panel) of the brackets as shown. **Figure 2.**
- Note: The locknuts need to be on the outer side of the rack rails.**
- Repeat this procedure on the upper side of the rack rails under the worksurface.
 - Tighten all fasteners securely.

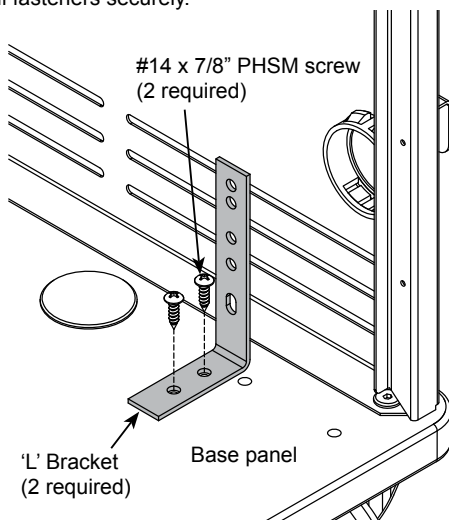


Figure 1

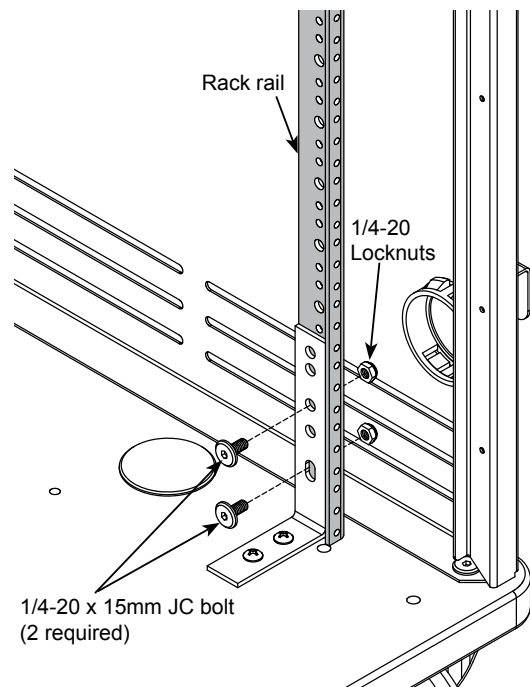


Figure 2