

95533 Dual Flat Panel Monitor Arm

Dual LCD Arm with Vertical/
Horizontal Positioning



Save valuable desk space by mounting two monitors to a single mount. With the 7000-Switch, both monitors will float above your desktop, allowing you to quickly and easily adjust monitor height and position. Monitors can be positioned either side-by-side or one above the other.

Our adjustable wing bracket allows you to adjust monitors, and also allows rotation. The 7000-Switch incorporates cable management, keeping your work space clean and organized.

FEATURES

- ▲ Gas arm "floats" monitors above desktop for instant height adjustment.
- ▲ Monitors can be positioned horizontally (side-by-side) or vertically (stacked one over another).
- ▲ Includes FLEXmount™ – six different mounting options in one kit.
- ▲ Quick-install/quick-release mechanism instantly and securely snaps monitors into position.
- ▲ Compatible with all VESA® monitors – includes 75mm and 100mm VESA® adapters.
- ▲ Includes cable management system.
- ▲ Accommodates monitors up to 24" widescreen (monitor widths may vary).



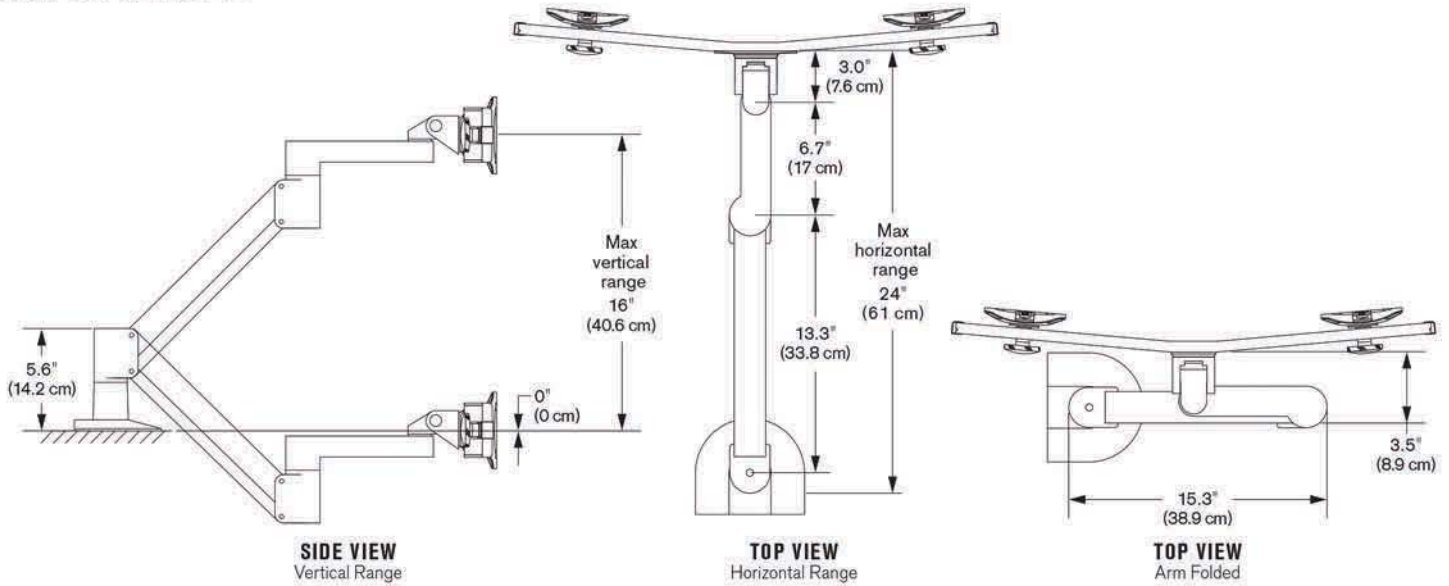
Horizontal/vertical positioning



Monitors pivot independently for landscape or portrait viewing

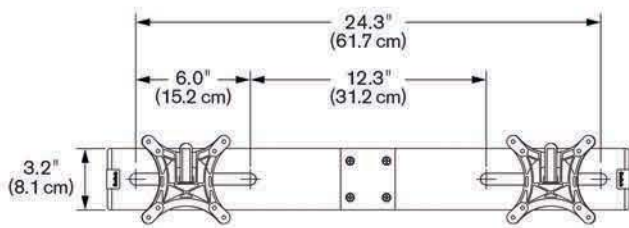


ARM CAPABILITIES




- Vertical range +/- 8" (20.3 cm) from horizontal
- Horizontal range 24" (61 cm)
- Rotation 360 degrees at three joints
- Monitor tilt 200 degrees
- Monitor pivot Landscape to portrait
- Monitor compatibility VESA® 75mm and 100mm
- Cable management Cables are concealed in arm
- Monitor weight, model number 3.5 - 13 lbs (1.6 - 5.9 kg) per monitor

WING BRACKET CAPABILITIES



Max monitor width* 23" (58.4 cm)** per monitor

* Monitor width is measured from end to end of the monitor as shown here: 
 ** This measurement is based on a monitor depth of 2.5" (6.3 cm).
 The depth of the monitor will have a slight effect on the overall max dimension.

FLEXMOUNT™ CONFIGURATIONS

