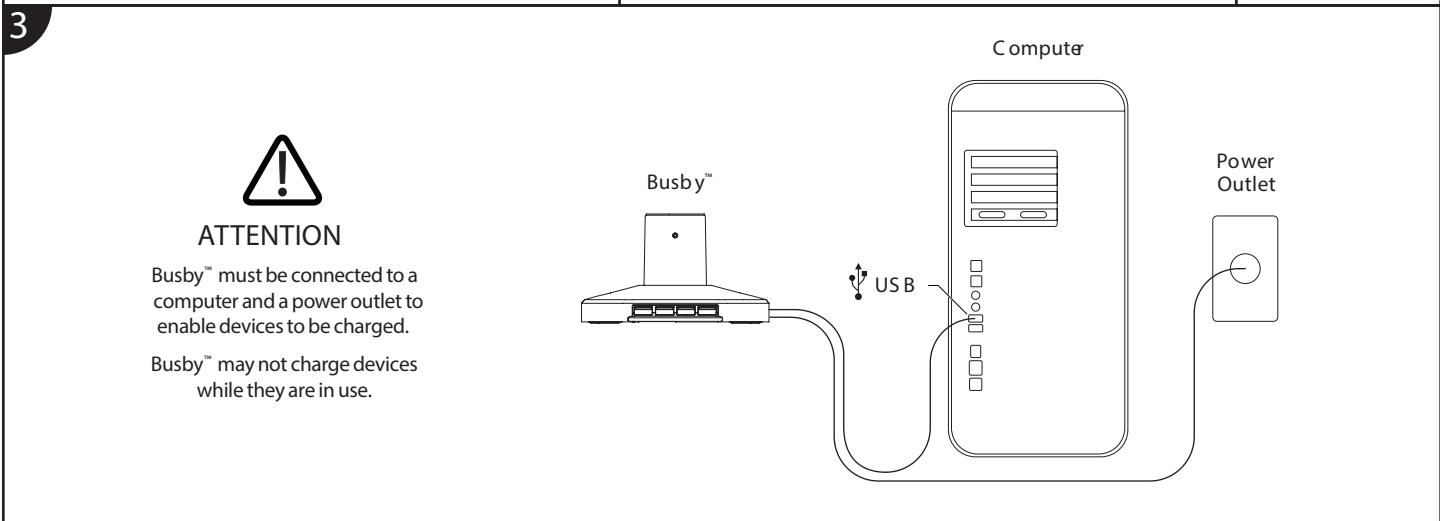
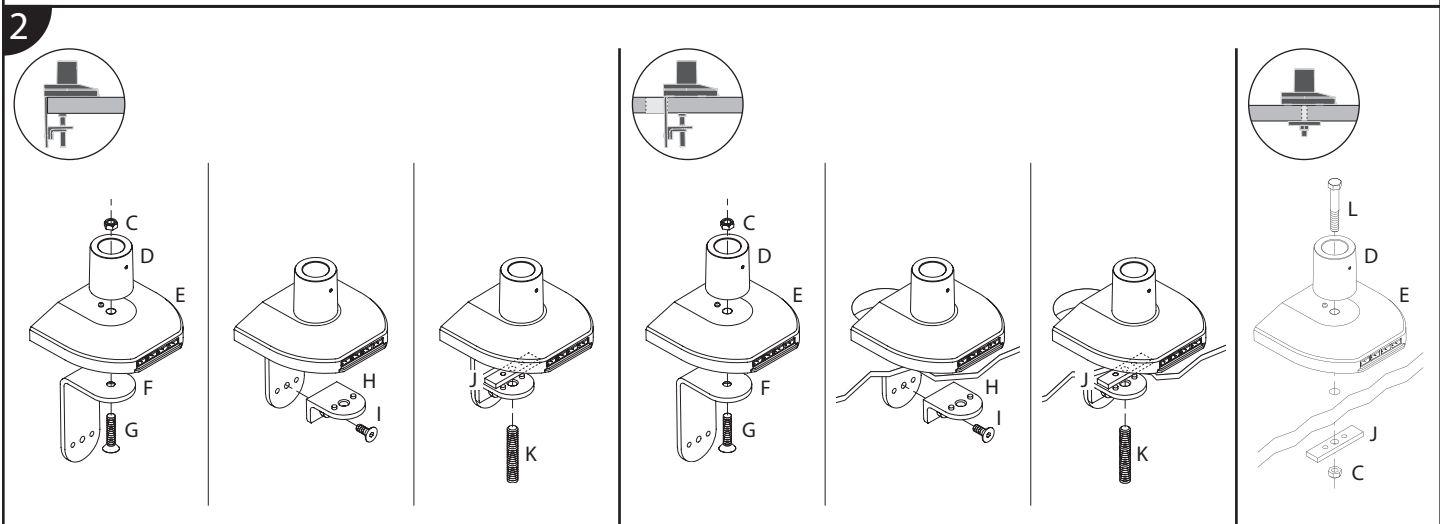
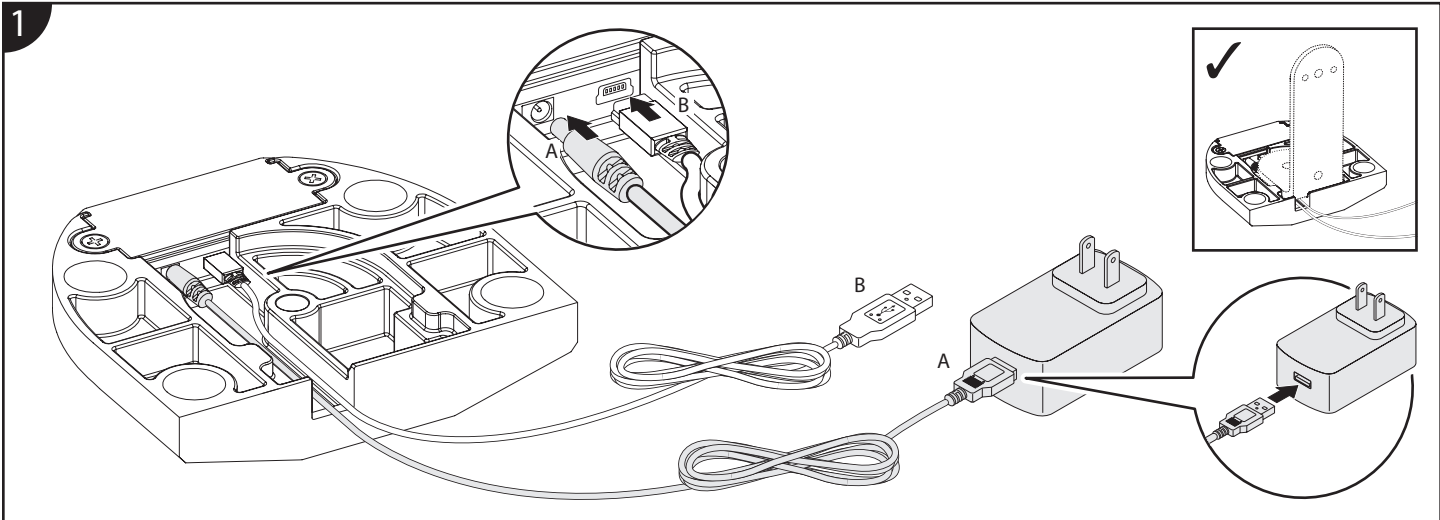
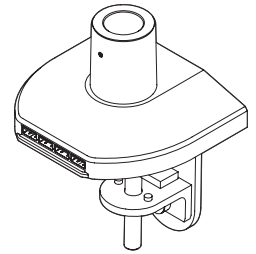


# BUSBY™ 8451

## Installation Instructions



# BUSBY™ 8451

## Parts List

ITEM	DESCRIPTION / PART NO.	QUANTITY
A	Power Cord & Adapter 710884	1
B	US B Data Cable	1
C	3/8-16 Nylon Stop Nut 701418	1
D	Mount Column 401328	1
E	Busby™ Base Plate 410732	1
F	Large "L" Bracket 702828	1
G	3/8-16x1-3/4" Flat Socket Cap Screw 710644	1

ITEM	DESCRIPTION / PART NO.	QUANTITY
H	Small "L" Bracket 701116	1
I	3/8-16 x 7/8" Flat Socket Cap Screw 701799	1
J	Rectangular Spacer 701544	1
K	1/2-13 x 3" Socket Set Screw 701126	1
L	3/8-16 x 2-1/2" Hex Head Bolt 700268	1
M	7/32" Allen Wrench 701127	1
N	3/32" Allen Wrench 700146	1