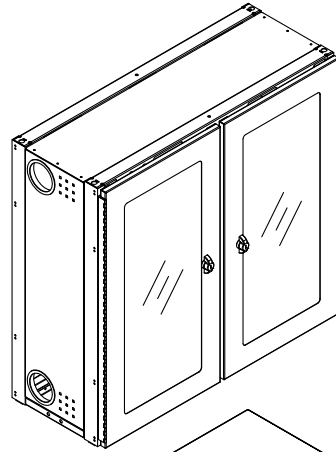


Technical Specifications

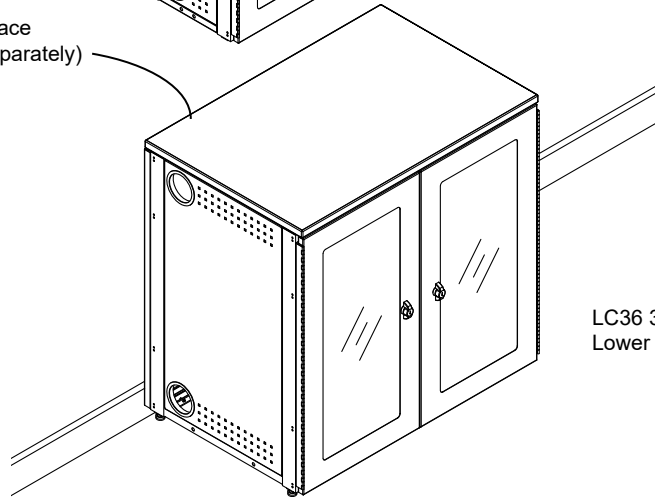
UC36 36"W Upper Cabinet	24021
LC36 36"W Lower Cabinet (worksurface not included)	24022

LC 36"W worksurface	24023
LC 72"W worksurface	24024



UC36 36"W
Upper Cabinet

Optional 36"W laminate worksurface
(Not included with LC36-order separately)



LC36 36"W
Lower Cabinet

Designed for Makerspace, Fab Labs, and STEM environments, Fab Lab storage cabinets can be used anywhere secure storage is needed.

Features and Benefits

- UC36 (Upper storage cabinet): 36"W x 14"D x 34"H
- LC36 (Lower storage cabinet): 36"W x 24"D x 36"H
- Acrylic locking doors
- Optional scratch and impact-resistant high-pressure laminate accessory worksurfaces available in 36"W or 72"W for lower cabinets.
- Ventilated side panels
- Provisions for wall anchoring (fasteners not included)
- Warranted to be free of all defects in materials and workmanship for 10 years
- Designed and assembled in Chippewa Falls, WI, USA

Construction

- The accessory laminate worksurfaces are constructed from 1" thick NAF (no added formaldehyde) composite board with .030" [.762mm] high-pressure laminate on one face, and balancing black laminate on the opposing face
- Laminate worksurface edges are covered with vinyl edgeband
- Metal components consist of 16 and 20-gauge steel
- All metal components are finished with a scratch-resistant powder coat epoxy
- Cabinets ship in one box each. Customer installs lower cabinet worksurface.

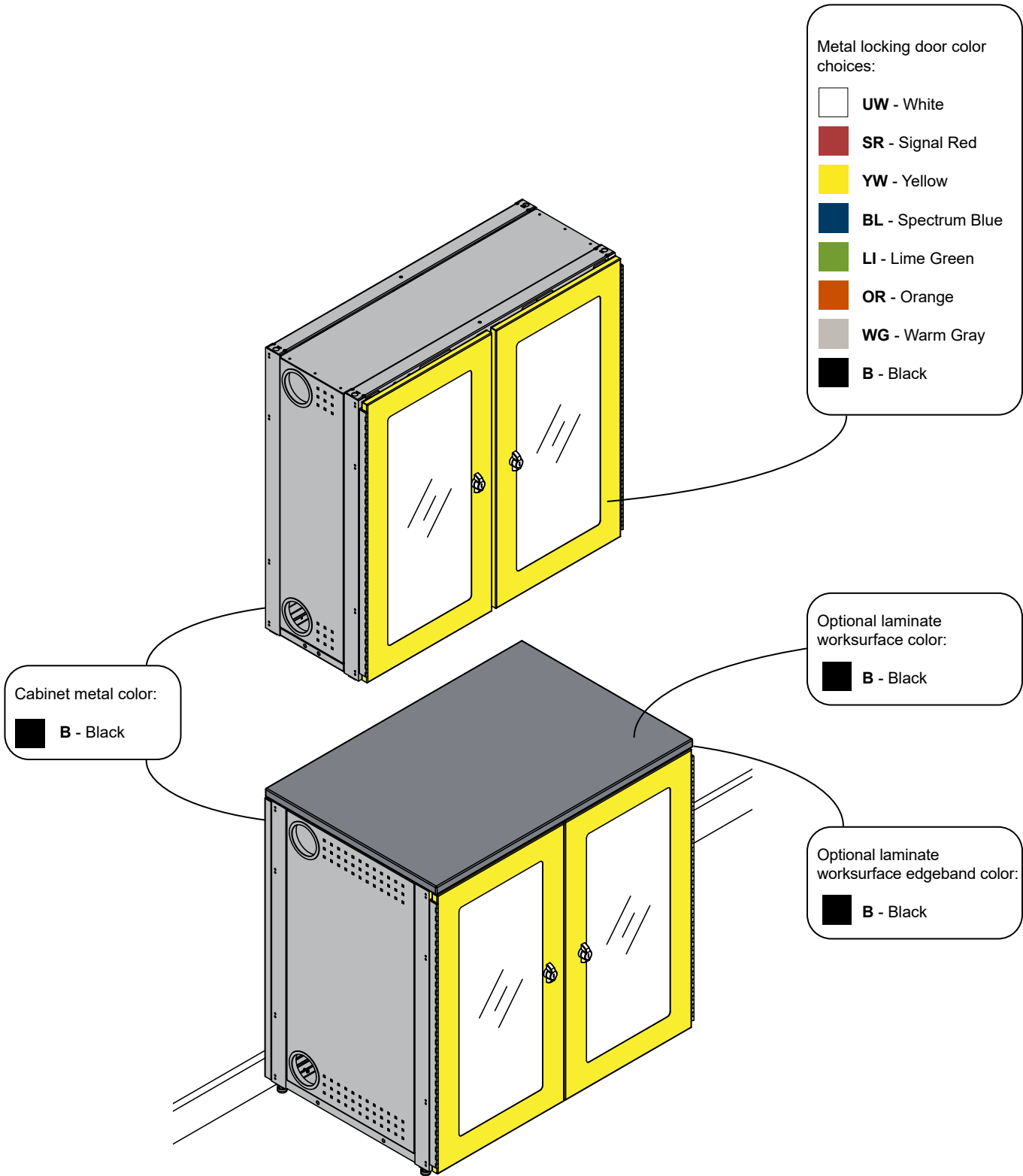
Specifications

Overall dimensions (nominal)	36"W [91.42 cm] x 14"D [35.56 cm] x 34"H [86.36 cm] - UC36 36"W [91.42 cm] x 24"D [60.95 cm] x 35.915"H [91.22 cm] - LC36
Internal dimensions (nominal)	33.937"W [86.2 cm] x 13.07"D [33.2 cm] x 32.125"H [81.6 cm] - UC36 33.937"W [86.2 cm] x 22.125"D [56.2 cm] x 32.125"H [81.6 cm] - LC36
Certifications / Compliance	Meets or exceeds applicable ANSI-BIFMA test standards
Shipping	1 box per cabinet
Unit weight (nominal)	N/A - UC36 N/A - LC36
Shipping weight (nominal)	N/A - UC36 N/A - LC36

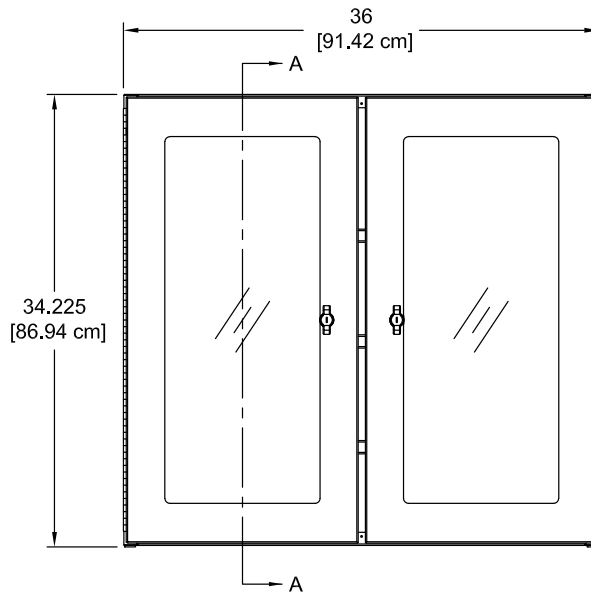
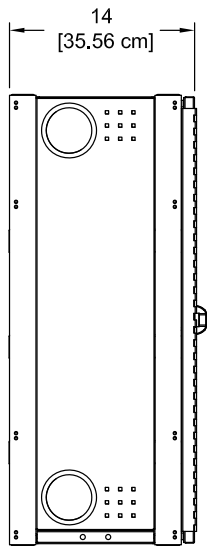
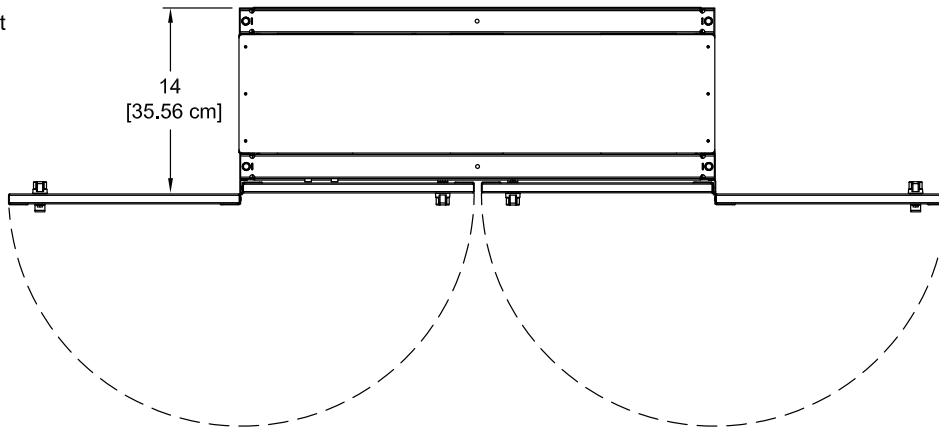
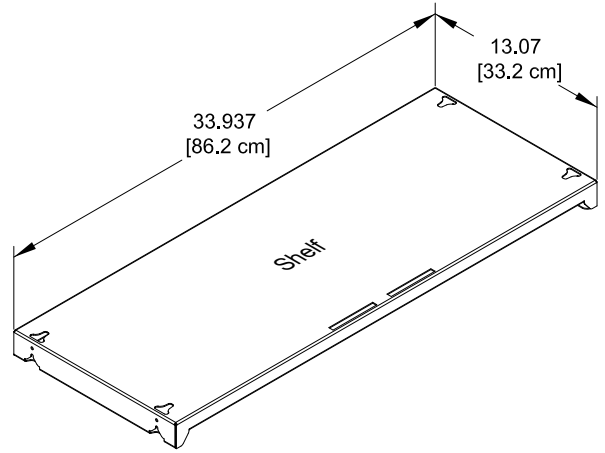
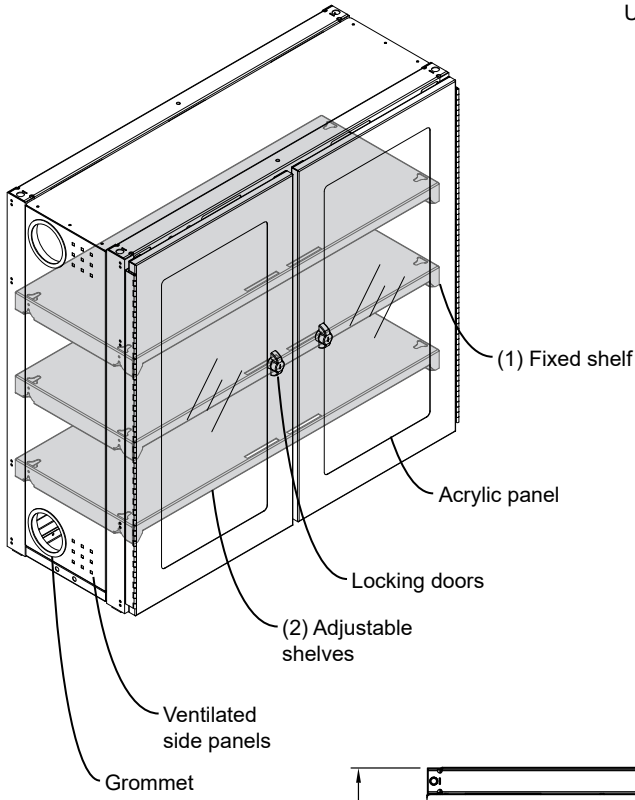
Specifications subject to change without notice

Color Options

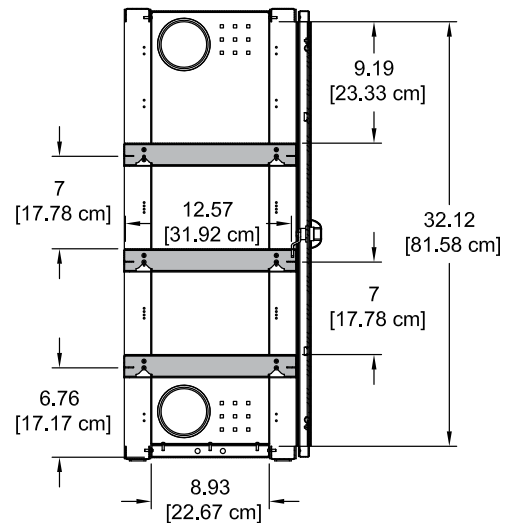
*See Spectrumfurniture.com for color examples



UC36 Upper Cabinet

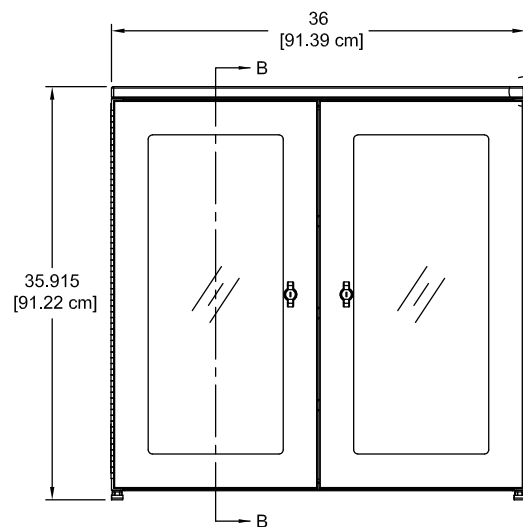
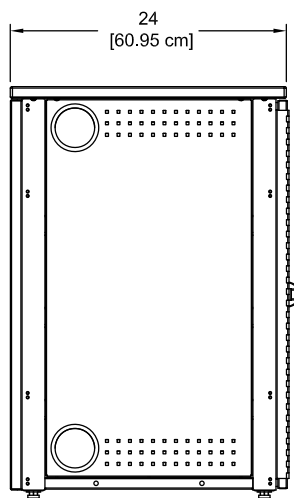
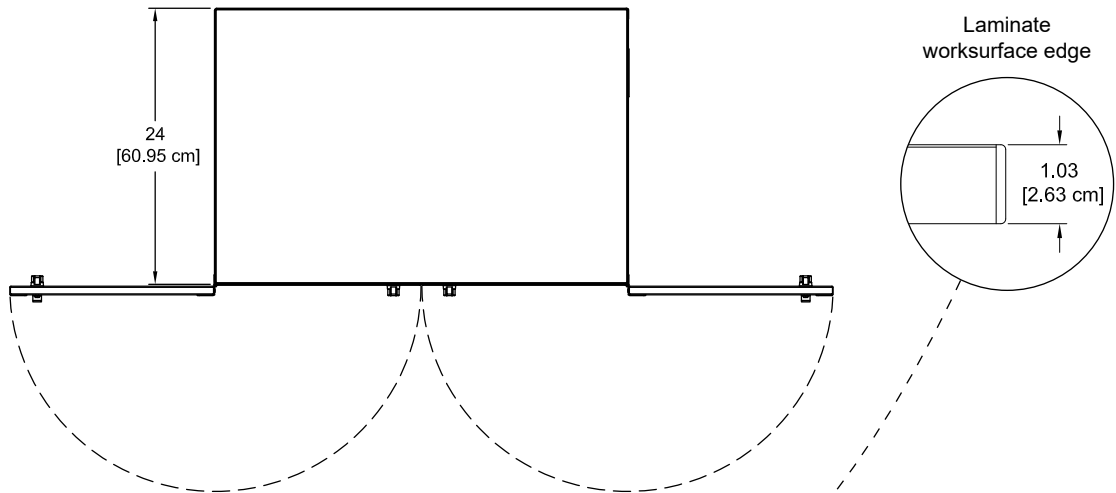
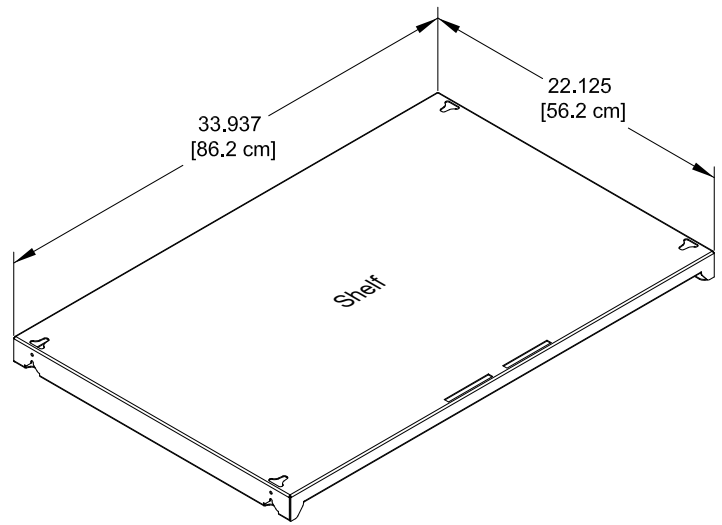
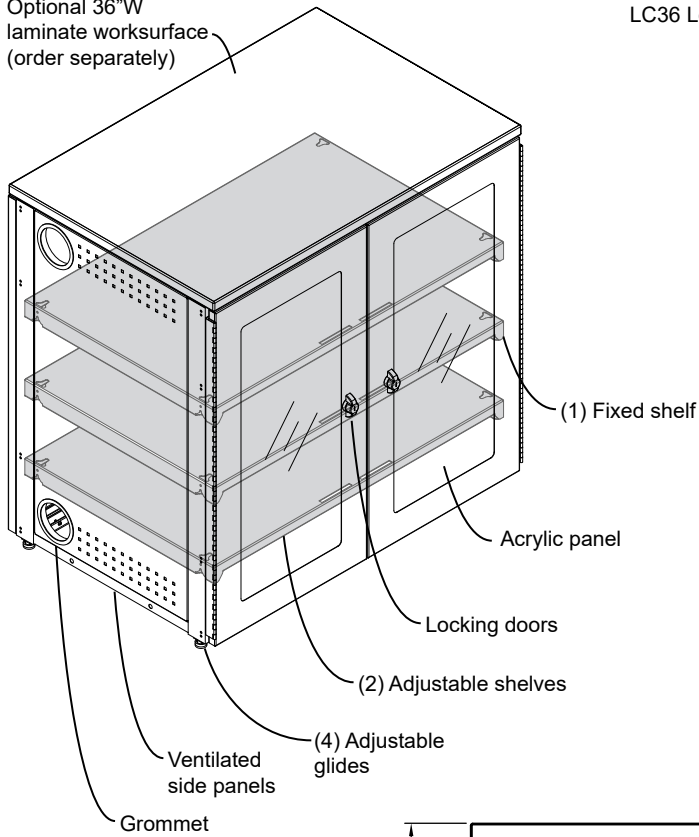


Section View A-A

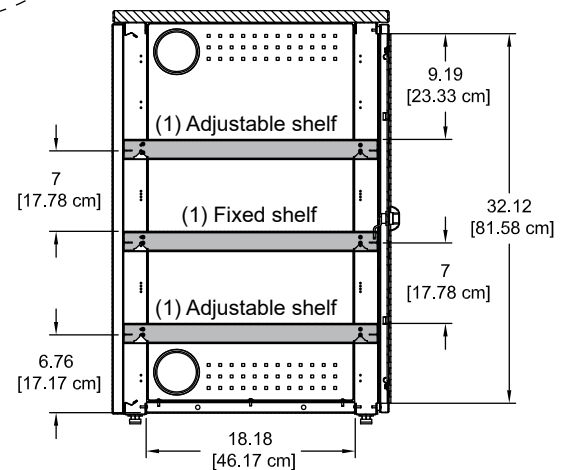


Optional 36"W
laminite worksurface
(order separately)

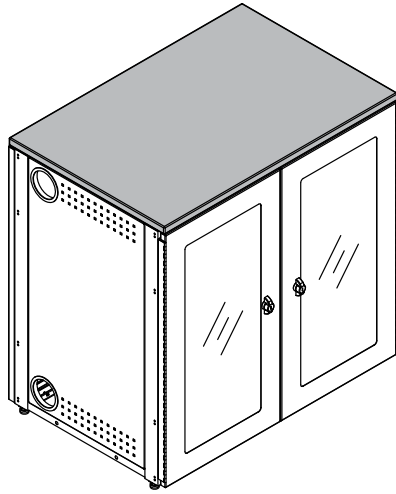
LC36 Lower Cabinet



Section View B-B

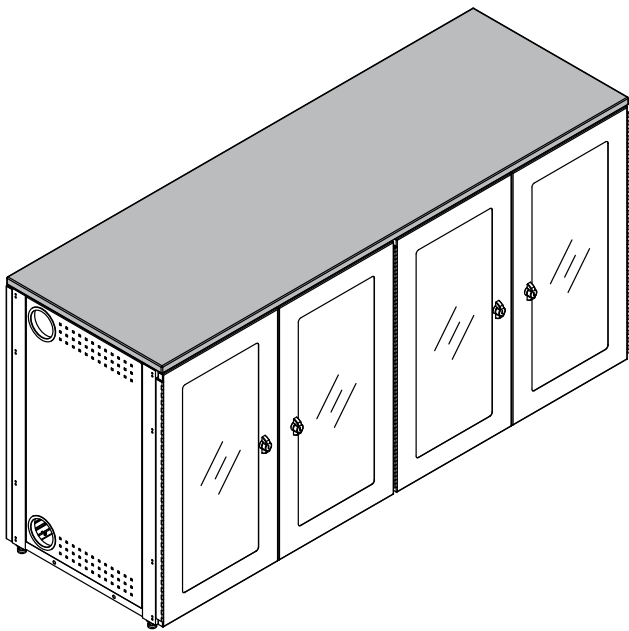
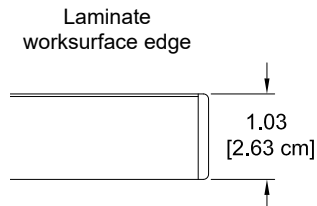


Accessories



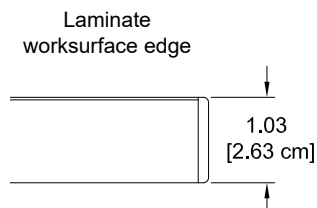
36"W x 24"D Worksurface - 24023

- For single LC36 cabinet
- 1" thick laminated composite board
- Black laminate
- Black vinyl edgeband



72"W x 24"D Worksurface - 24024

- For (2) side-by-side LC36 lower cabinets
- 1" thick laminated composite board
- Black laminate
- Black vinyl edgeband



Warranty

We will make it right for you!

Thanks for choosing Spectrum! Spectrum is committed to provide complete customer satisfaction. Each of our products is manufactured from the best materials available and each product is stringently monitored throughout the production process through our P.A.C.E. program (Product Assurance to meet Customer Expectations).

We expressly warrant that Spectrum products will be of good quality and workmanship and free from defect for the period set out in the warranty from the date of delivery.

For a listing of all product specific warranty terms please visit our website at:

<https://www.spectrumfurniture.com/en/resources/purchasing-terms-warranty>

1-800-235-1262

Toll-free HELPLINE

spectrum@spectrumfurniture.com