

Assembly Instructions

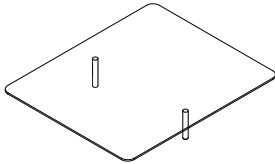
⚠ Important ⚠

Before you begin, read and comply with all safety and operating instructions, and ensure all parts and correct quantities are included.

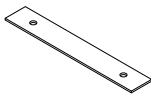
Any parts damaged during shipment must be reported within 5 days of receipt. To report information regarding missing parts or damage, to purchase parts or accessories, or if you have any questions, please contact us.

www.spectrumfurniture.com
800-235-1262, 715-723-6750

Thank you for purchasing Spectrum products!



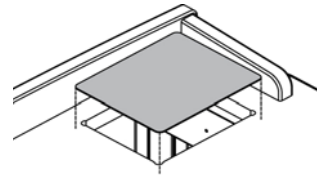
(1) Cover Plate
0108067 (55350)
0108068 (55351)



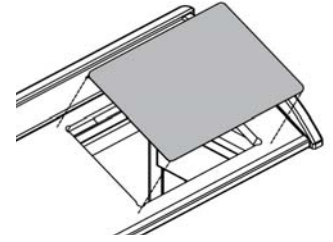
(1) Holding Plate
0108201 (55350)
0108199 (55351)



(2) 021521
10-24 Keps Nut



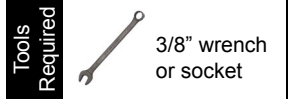
TouchLink™ 350CV
cutout cover plate
55350



TouchLink™ 700MV
cutout cover plate
55351

Cover Plate

55350 (fits TouchLink™ 350CV cutout)
55351 (fits TouchLink™ 700MV cutout)



Installation

1. Center cover plate over the cutout and set flat against the worksurface or overbridge panel.
2. From under the worksurface or overbridge panel, install the holding plate over the cover plate threads and install (2) 10-24 keps nuts. **Figure 1.**
3. Tighten the keps nuts with a 3/8" wrench or socket, but do not overtighten as damage to the cover plate could result.

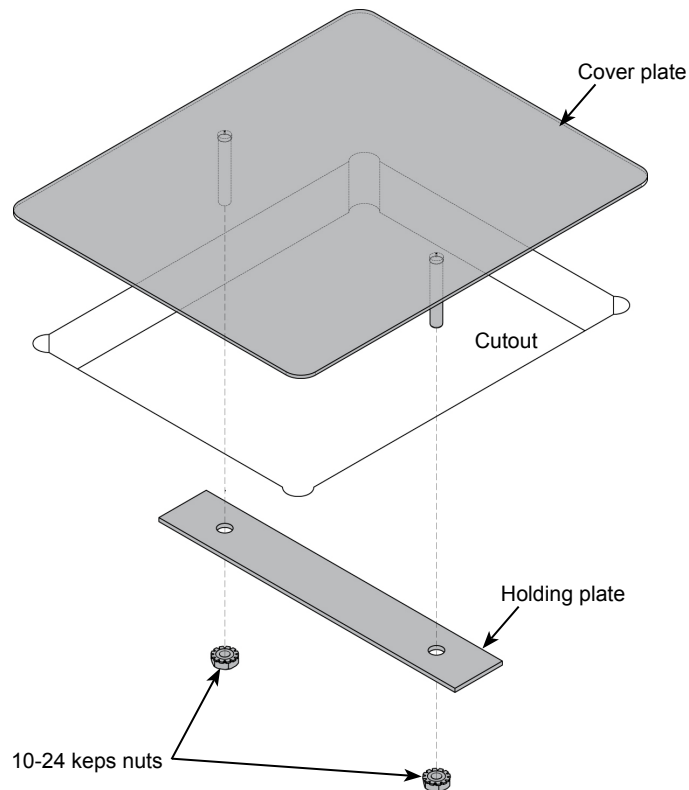


Figure 1