

# Assembly Instructions:

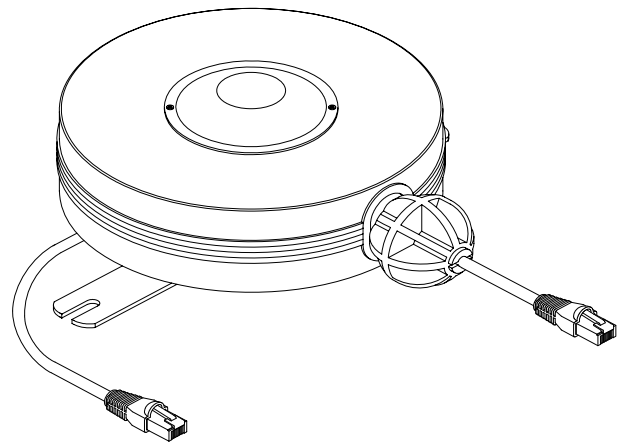
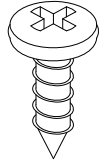
0285  
(6) 3/16 Flat Washers



021491  
(2) #8 x 1/2 PHMS



026073  
(2) #8 x 3/4 PHMS



## Retractable Data Reel 99026

Before you begin, please make sure all parts and proper quantities are included. Any parts damaged during shipment must be reported within 15 days of receipt. To report information regarding damages or if you have any questions, please call 1-800-235-1262.

### 1. Data Reel Installation

Install the Retractable Data Reel in a location which best suits your needs. It is recommended to install your Retractable Data Reel free from interference or moving parts. On most units the underside of the upper worksurface will suffice nicely. Secure Data Reel to the surface using 2 screws through the Saddle Bracket. See Figure 1. A variety of fasteners and washers/spacers are provided to assist in the mounting procedure, any combination can be used. Measure the thickness of the surface **before** mounting the Data Reel to ensure the screw is not too long for the application. An 1/8" pilot hole is recommended when using #8 screws. Again, be aware of your surface thickness **before** drilling.

### 2. Data Reel Orientation

To provide the smoothest performance, orientate the reel so the cable spools in and out at 90 degrees from the edge of the unit with a Pull Range of 30 degrees. The Saddle Bracket will run parallel to the edge of the unit. See Figure 2.

