

# Assembly Instructions

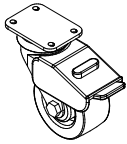
## ⚠ Important ⚠

Before you begin, read and comply with all safety and operating instructions, and ensure all parts and correct quantities are included.

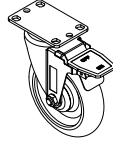
Any parts damaged during shipment must be reported within 5 days of receipt. To report information regarding missing parts or damage, to purchase parts or accessories, or if you have any questions, please contact us.

[www.spectrumfurniture.com](http://www.spectrumfurniture.com)  
800-235-1262, 715-723-6750

Thank you for purchasing Spectrum products!



#98502  
(4) 050033  
4" Heavy-duty  
Casters



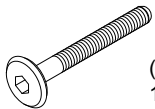
#98506  
(4) 0190100  
5" Balloon Wheels



(16) 026064  
1/4-20 x 5/8"  
PHM Screw



(8) 041943  
1/4-20 Locknut



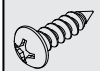
(8) 053310  
1/4-20 x 40mm  
JC bolt



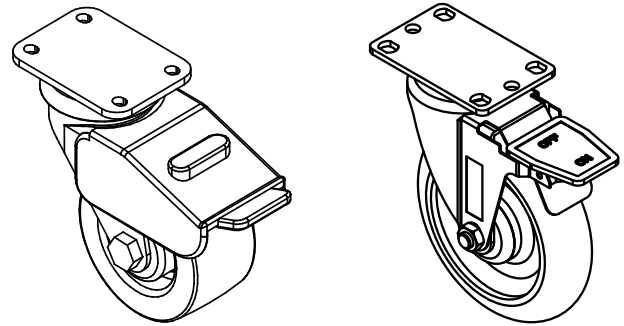
(8) 0101382  
#14 x 7/8"  
PHSM screw

## Attaching Plate Caster to Base Panel

1. Access to the bottom corners of the unit will be required to install casters.
2. Attach the four caster plates to the base panel using (2) 1/4-20 x 5/8" PHM screws and (2) 1/4-20 x 40mm JC bolts. The JC bolts should be "kitty corner" to each other for maximum strength as shown in **Figure 1**.
3. Install locknuts onto the JC bolts using an adjustable wrench and tighten securely.



Note: Use the #14 x 7/8" PHM screws in applications where no threaded inserts or thru-holes are present. (Pilot holes only).



## Plate Caster / Wheel Kit

98502 - 4" Heavy-Duty Caster  
98506 - 5" Balloon Wheel

Tools Required



Phillips Screwdriver



4mm Hex Wrench  
(not included)



7/16" or Adjustable  
Wrench

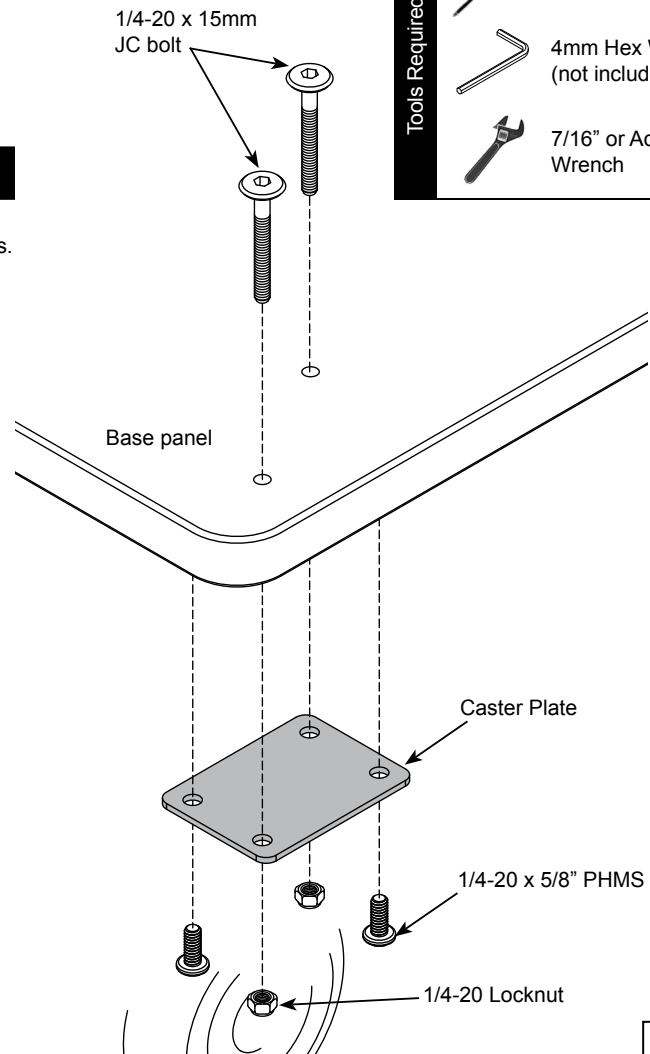


Figure 1