

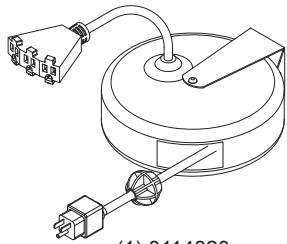
Assembly Instructions

Important

Before you begin, please make sure all parts and proper quantities are included. Any parts damaged during shipment must be reported within 15 days of receipt. To report information regarding damage, to purchase parts or accessories, or if you have any questions, please contact us at:

www.spectrumfurniture.com
715-723-6750, 800-235-1262

Thank you for purchasing Spectrum products!



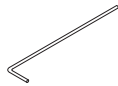
(1) 0114320
cord reel with 15' cord



(1) mounting bracket
(included with reel)



(2) 021601
10-24 x 1/2" THMS



(1) connector pin
(included with reel)

Cord reel operation

Operating Instructions:

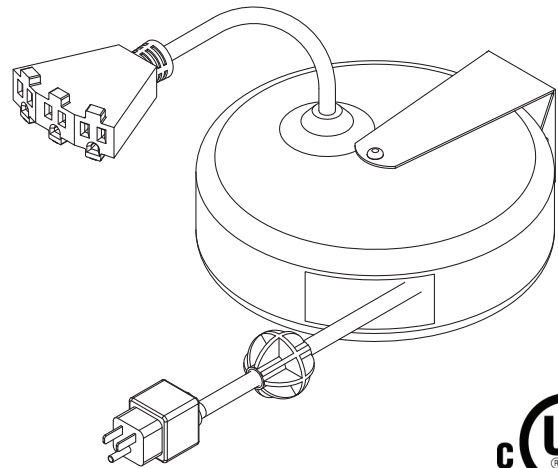
1. **To latch cord** - Pull cord out to full length. Allow the cord to retract 1-2 feet back into the reel. Pull the cord out slowly. When a 'click' is heard, the cord will latch in place.
2. Plug into 110-125V (single phase), 3-conductor wall outlet.
3. **To release cord** - Unplug from wall outlet. Pull cord out slowly until clicking stops. The latch will release and the cord can be guided back into the reel. Do not allow the cord to fly unrestricted back into the reel.
4. Do not overload or circuit breaker (15-amp maximum) will cut off current. To restore power, remove overload, wait two minutes, then reset the circuit breaker by pressing the button on the back of the 3-prong male power plug.

Maintenance:


1. Remove dirt and grime as soon as it accumulates on the reel case by using a soft, damp cloth (a mild detergent may be used if needed), being careful not to wet the electrical plug. Never immerse any part of the unit in any solution to clean. **DO NOT** use solvents such as gasoline, turpentine, etc. to clean unit.
2. Keep cord clean to assure smoothest automatic retraction. Simply pull cord to its full length and allow to retract through a dampened rag. Pull out full length again and sprinkle cord with talcum powder.

Specifications:

- Steel housing with black polyester baked-on finish
- 12 AWG cord
- 15' retractable power cord with cord stop and 3-prong male plug with reset button and overcurrent protection
- 4' pigtail with molded tri-tap female receptacle
- 1875W, 15A, 125V
- Max amp rating: 15-amp
- UL listed and cUL listed
- Includes mounting hardware
- Weight: 8 lbs



Retractable Cord Reel 99029

 The cord reel is intended to provide temporary access to electrical outlets for Spectrum mobile lecterns. Check local electrical codes prior to installation.

See p.2-3 for installation instructions.

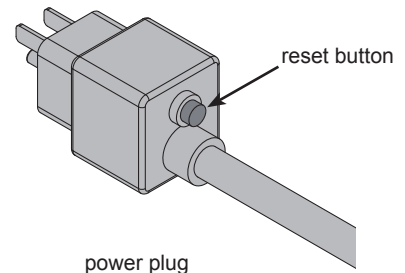
Tools Required



Phillips
screwdriver



Pliers



WARNING

- This cord reel is intended for general indoor use only. It is not intended to be used in potentially dangerous locations such as flammable or explosive atmospheres. The reel is not waterproof and not intended for use in potentially wet locations.
- Do not overload (15-amp maximum).

Media Director Lectern installation

Note: When installed, the cord reel takes up 3RU from the bottom of the rack rail.

1. Open the lectern doors.
2. Attach the mounting bracket to the base panel with (2) 10-24 x 1/2" THM screws. **Figure 1A.**
3. Using the mounting bracket holes closest to the side panel, install the connector pin through the mounting bracket and cord reel mount as shown.

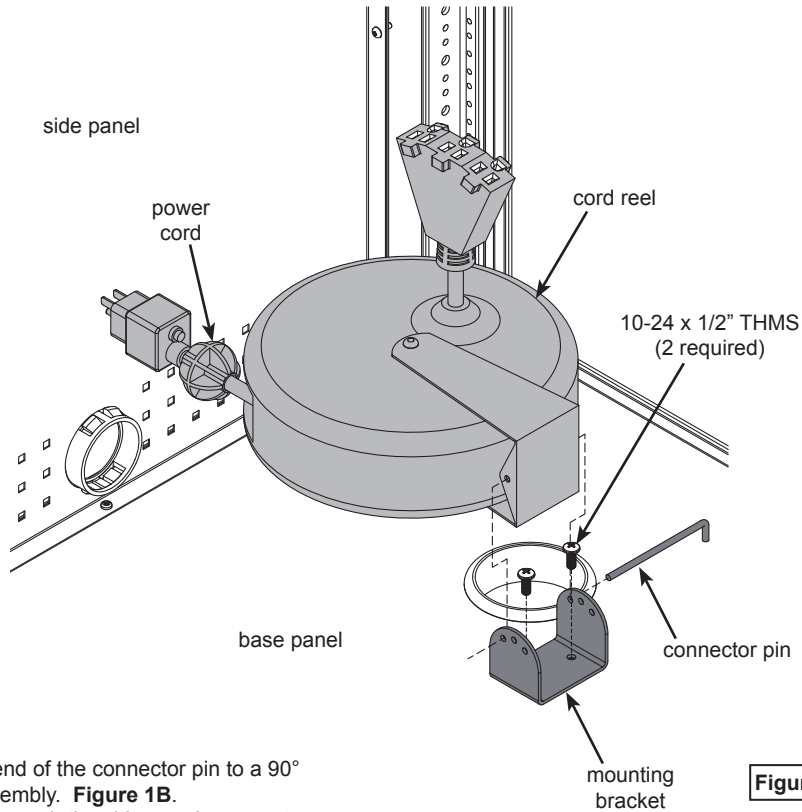


Figure 1A

4. Using pliers, bend the end of the connector pin to a 90° angle to secure the assembly. **Figure 1B.**
5. Route the power cord through the side panel grommet.

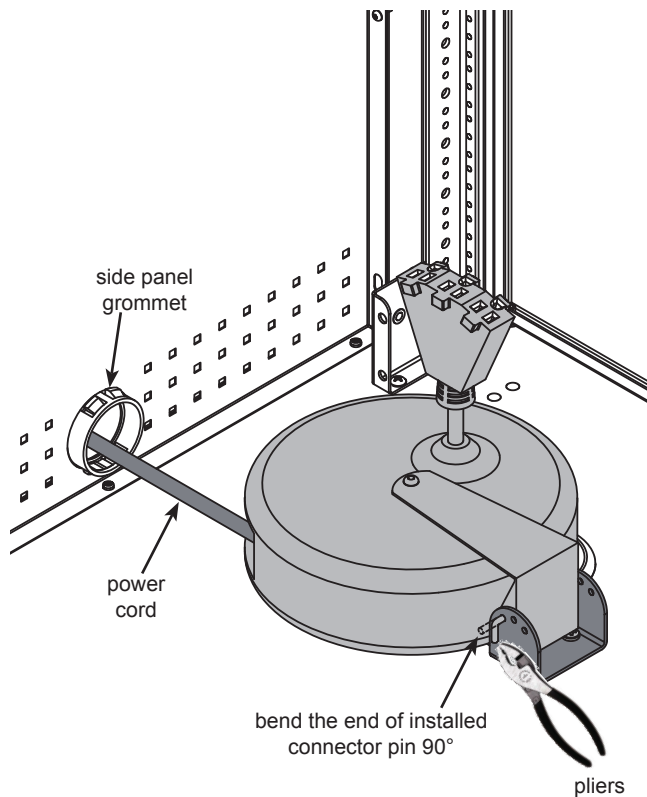


Figure 1B

Doctorate / Masters Lectern installation

Note: When installed, the cord reel takes up 3RU from the bottom of the rack rail.

1. Open the lectern doors.
2. Attach the mounting bracket to the base panel with (2) 10-24 x 1/2" THM screws. **Figure 2A.**
3. Using the mounting bracket holes closest to the side panel, install the connector pin through the mounting bracket and cord reel mount as shown.

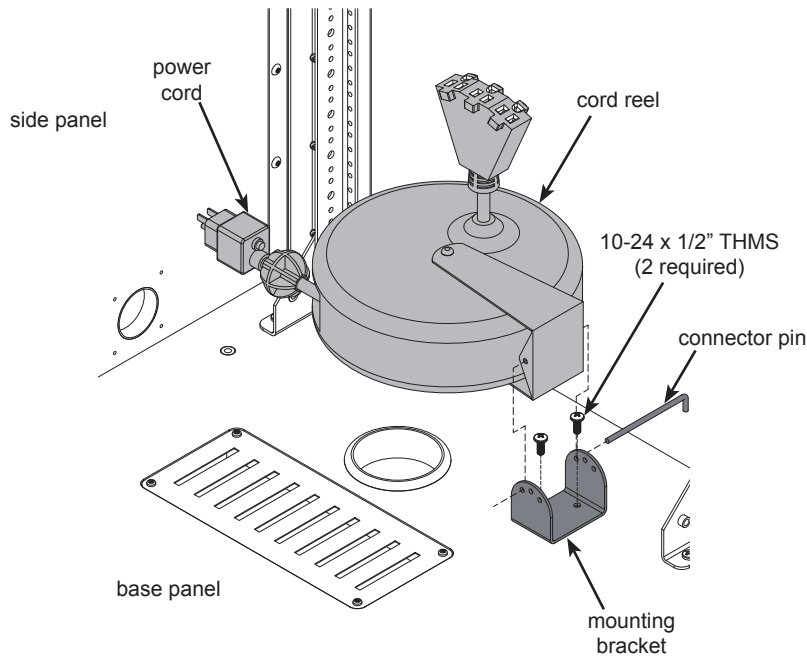


Figure 2A

4. Using pliers, bend the end of the connector pin to a 90° angle to secure the assembly. **Figure 2B.**
5. Pull the reel power cord through the side panel grommet hole.
6. Slide the cord guide over the cord and align the mounting holes.
7. Attach the guide to the interior side of the panel using the (4) #8 x 7/8" FHSM screws.

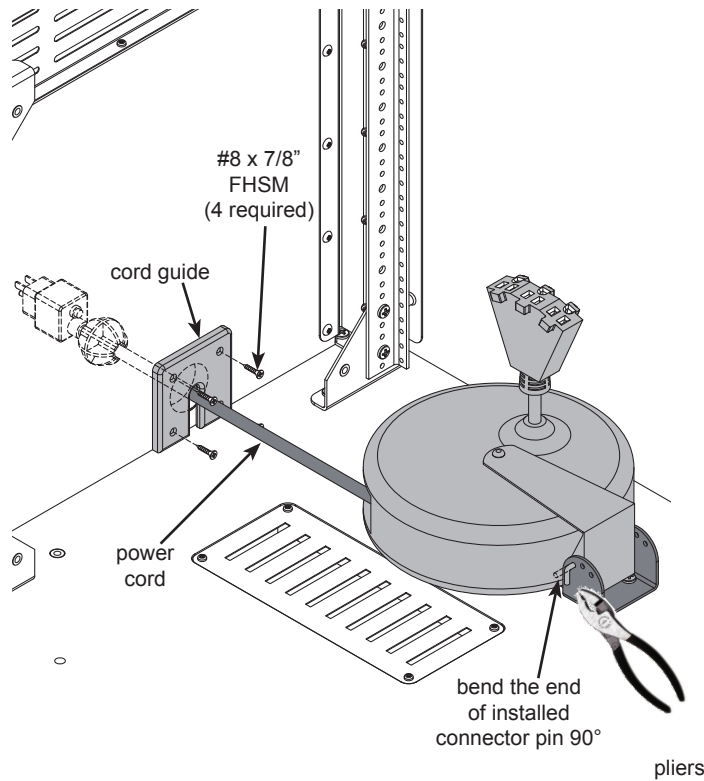
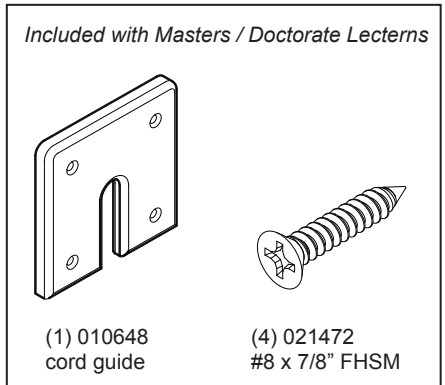


Figure 2B



Bantam Lectern installation

1. Set the cord reel into the bottom of the lectern. **Figure 3.**
2. Align and install the connector pin through the existing lectern mounting bracket and cord reel mounting bracket to attach the cord reel. Note: The included 'C' shaped mounting bracket will not be needed.
3. Using pliers, bend the end of the connector pin to a 90° angle to secure the assembly.
4. Route the power cord through the right side panel grommet.

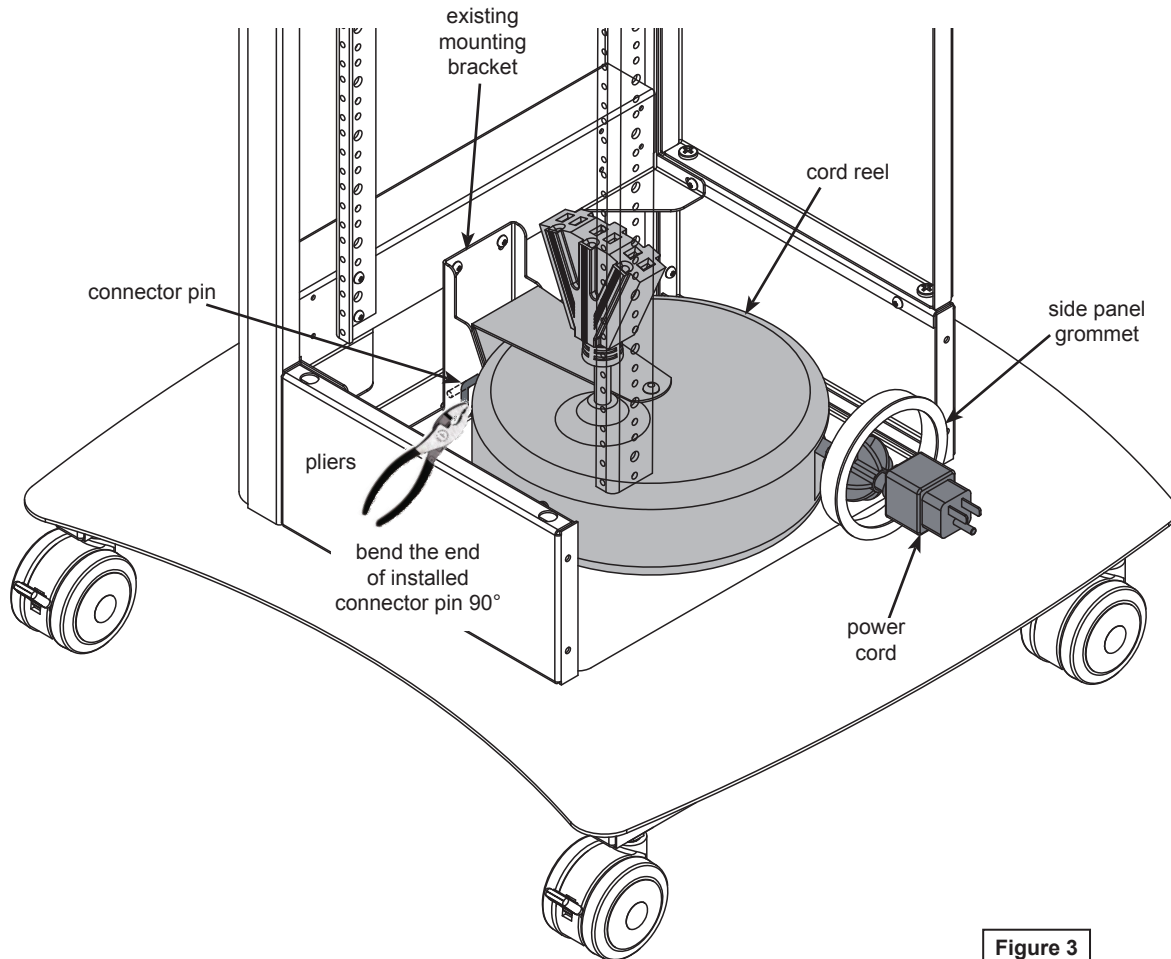


Figure 3