

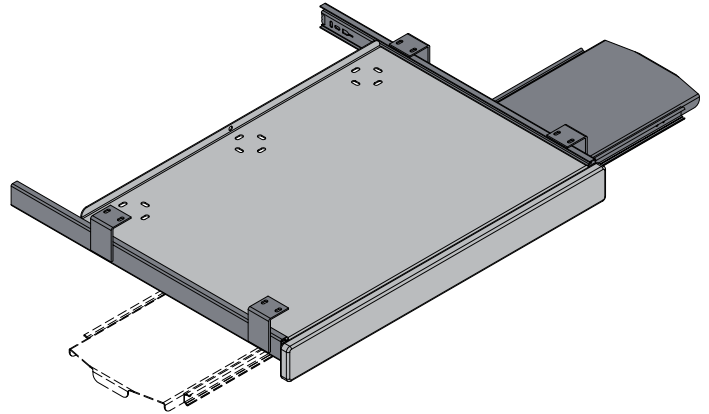
Assembly Instructions

Important

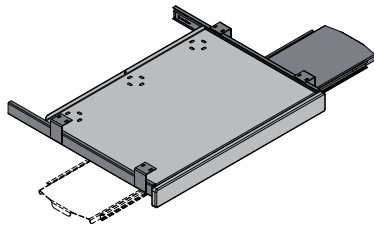
Before you begin, please make sure all parts and proper quantities are included. Any parts damaged during shipment must be reported within 15 days of receipt. To report information regarding damage, to purchase parts or accessories, or if you have any questions, please contact us at:

www.spectrumfurniture.com
715-723-6750, 800-235-1262

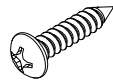
Thank you for purchasing Spectrum products!



Pull-out tray for Freedom Lectern 55302



(1) 0104614
pull-out tray



(8) 026073
#8 x 3/4" PHSM screw



(3) 052608
3/4" x 5" Velcro® strap

1. Remove slides from pull-out worksurface

1. Remove the outer slides from the inner slides by depressing the plastic levers while pulling the slides apart. **Figure 1.**



2. Attach slides to lectern worksurface

1. Align the slide bracket mounting holes with the pre-drilled lectern worksurface mounting holes and attach the left and right slides with #8 x 3/4" PHM screws as shown in **Figure 1.** (4 screws required per slide.) Do NOT tighten the screws completely yet.
2. Align and slide the keyboard tray back into the slides.
3. Make sure the tray moves smoothly, then tighten the mounting screws securely.
4. Use the slots in tray and Velcro straps to secure cords.

CAUTION

Always unplug lectern before working under the worksurface or inside rack cabinet.

Do not place anything under worksurface when operating lift. Use caution when raising or lowering the worksurface. Be sure desk motion does not interfere with objects or people.

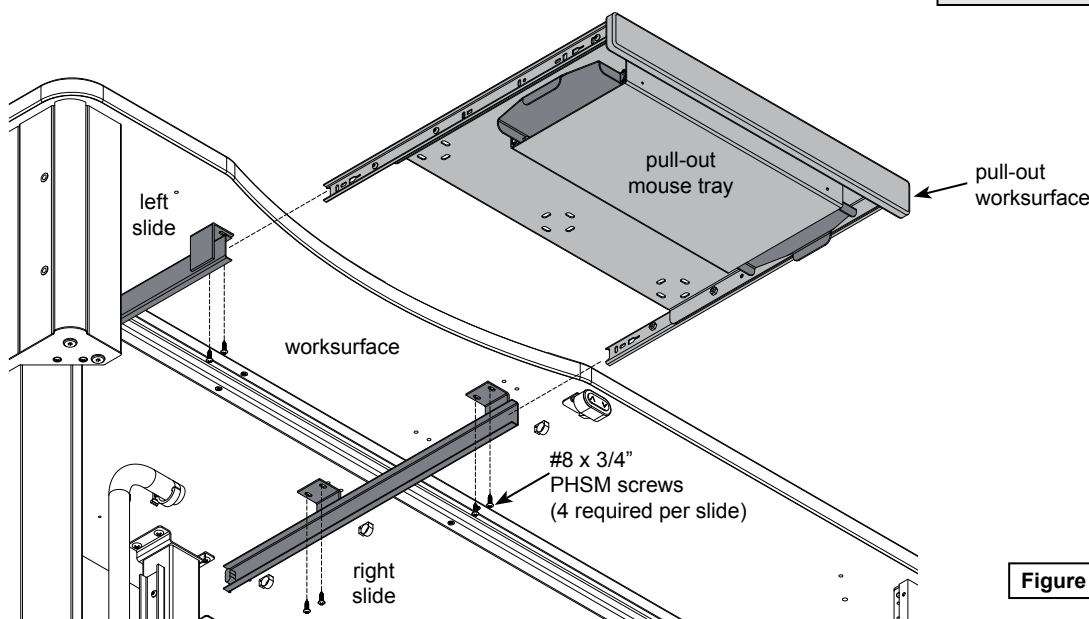


Figure 1