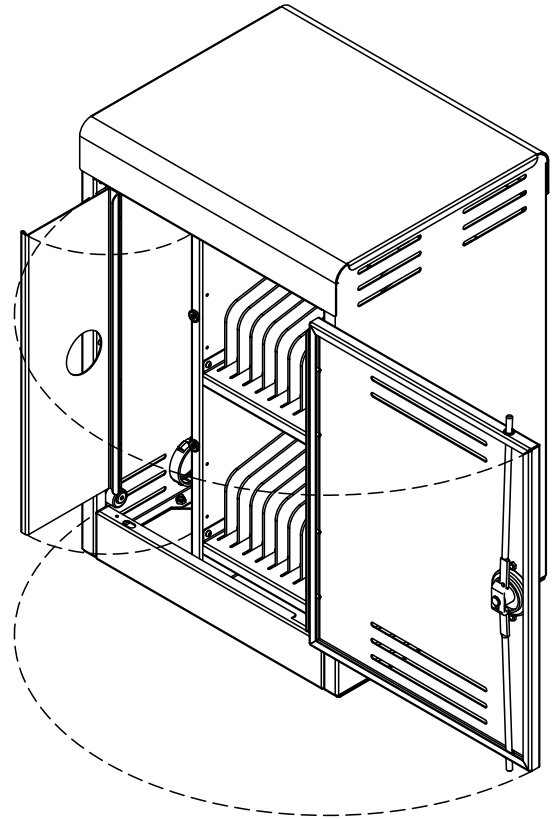
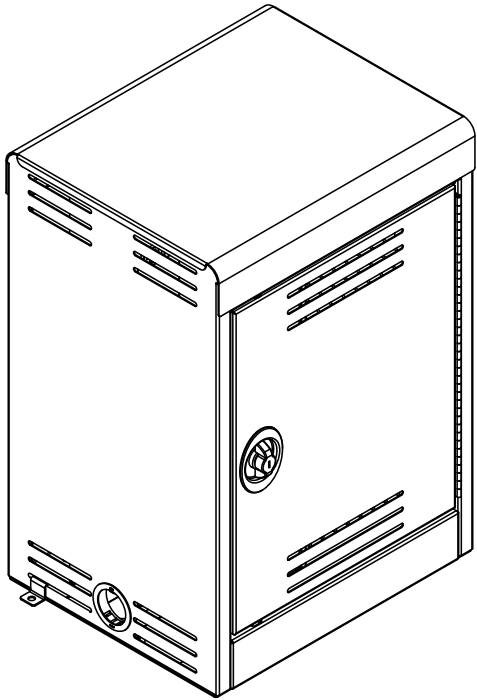


## Technical Specifications

55447



*Spectrum's InTouch20 Secure Tablet Locker is designed to store and recharge up to 20 tablet and/or iPad® style computers. It also has the ability to synchronize or image these devices with optional accessories easily installed in the field. The locker stores up to 20 computing devices up to .75" thick in individual vertical compartments with plastic dividers. A simple compartment stores all line-voltage charging devices safely away from children, and a wire management system allows the low voltage charge cable to hang directly above each computer for easy student access.*



## Features and Benefits

- Manages up to 20 tablets including iPads® with cases (up to .75" thick)
- 1.25"W x 12.625"D x 9.5078"H storage bay
- Durable ABS plastic dividers protect devices from scratching (dividers are also removable to provide storage space for thicker devices)
- Numbered storage slots keep tablets organized
- Double bolt, keyed lock and heavy gauge steel door provides vault-like security for your investment
- Security brackets allow unit to be anchored to a worksurface for additional security
- Devices and students are separated from AC line voltage
- Superior, all-metal overhead cord management system keeps charge cords organized above each bay
- Side grommets placed for effective cord management
- Access panel provides easy-access to electrical power while keeping all line voltage, wiring, and cords away from students
- One 20-outlet, (125V~/12A, 60Hz) power unit works with both inline, and wall adapters
- Ventilated door and side panels keep devices cool, preventing overheating, and extending device life
- Locker ships fully-assembled for quick, simple integration and deployment
- Durable powder coated steel chassis provides a long lasting finish
- ETL recognized (certified to UL 60950-1) in the US and Canada for the cart and electrical system
- Warranted to be free of all defects in materials and workmanship for 10 years, electrical system 2 years
- Designed and assembled in Chippewa Falls, WI, USA

### Color Options

Metal: Cool White (CW)



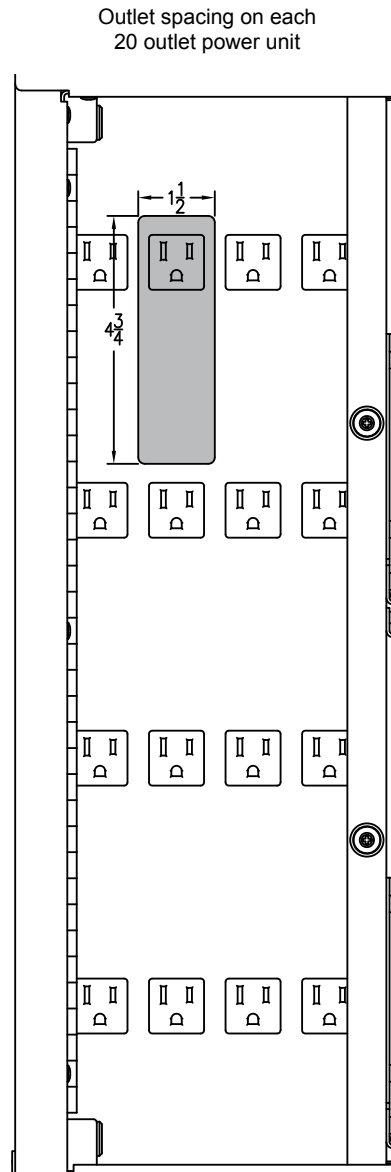
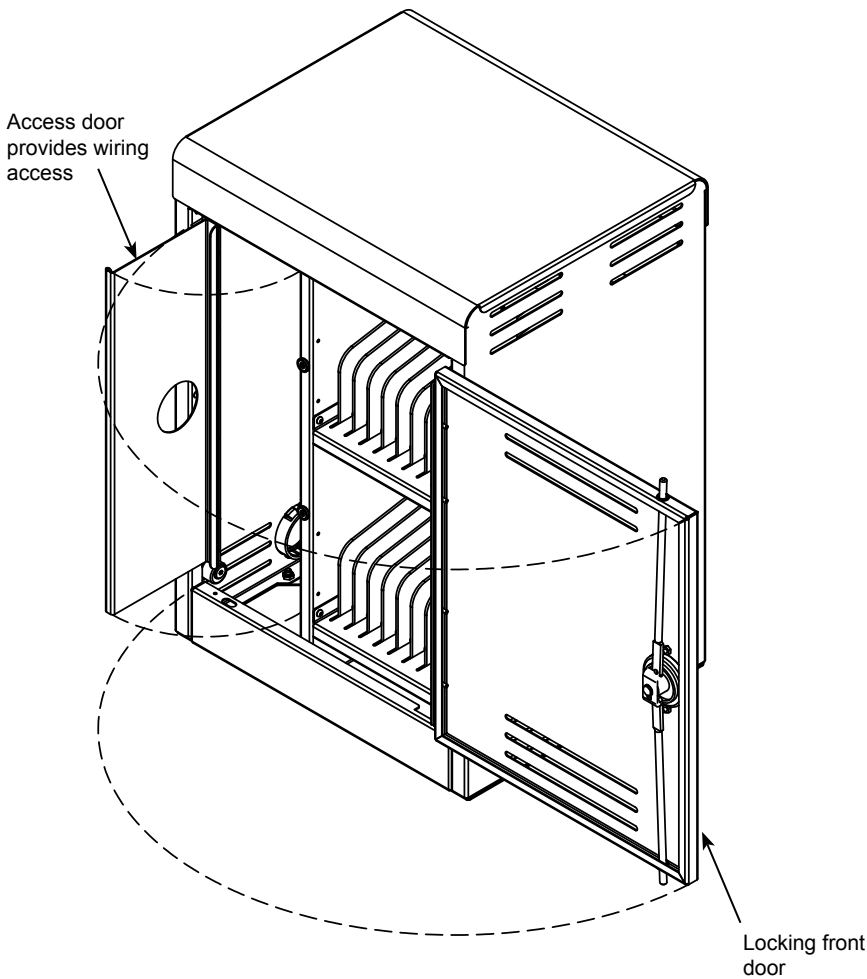
# Construction

- Metal components consist of 16-gauge steel
- 16-gauge side panels
- All metal components are finished with a scratch-resistant powder coat epoxy
- Each InTouch20 Locker is factory-assembled

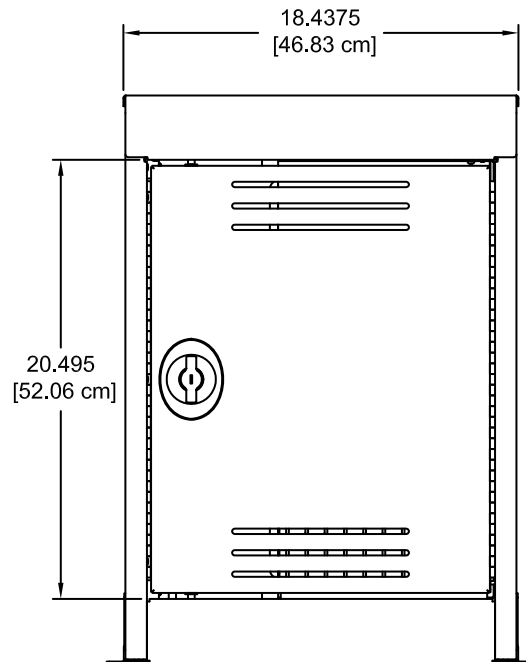
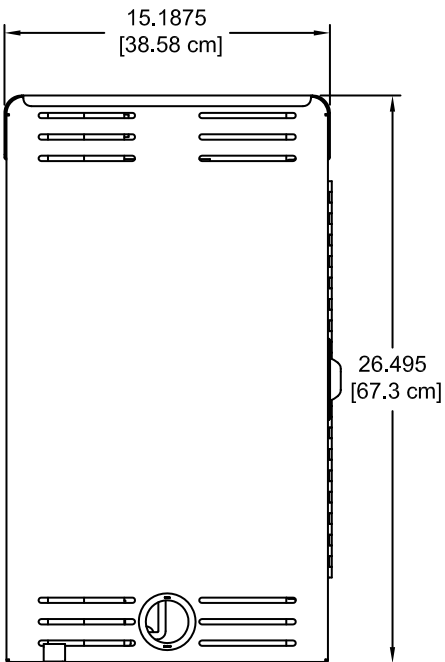
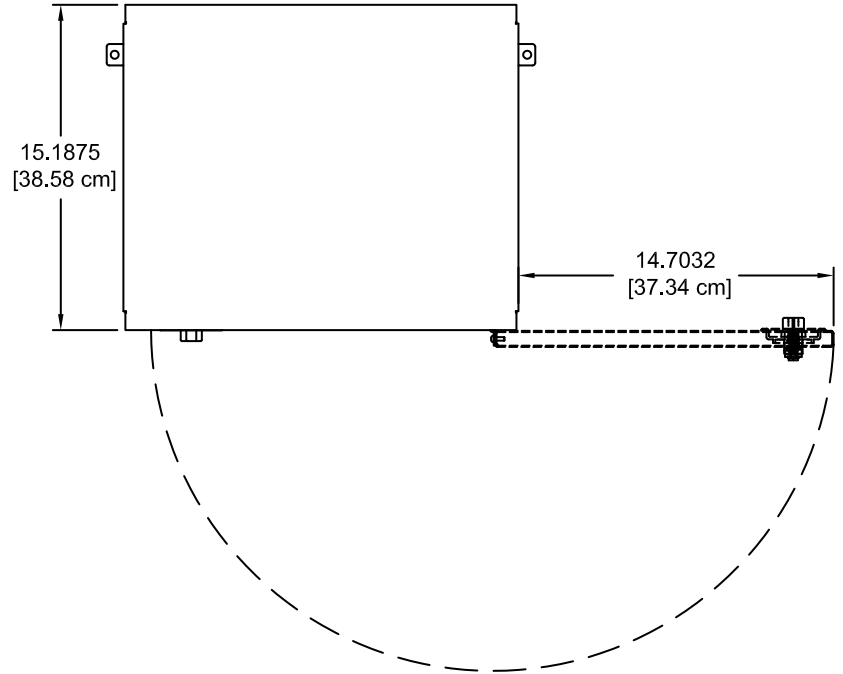
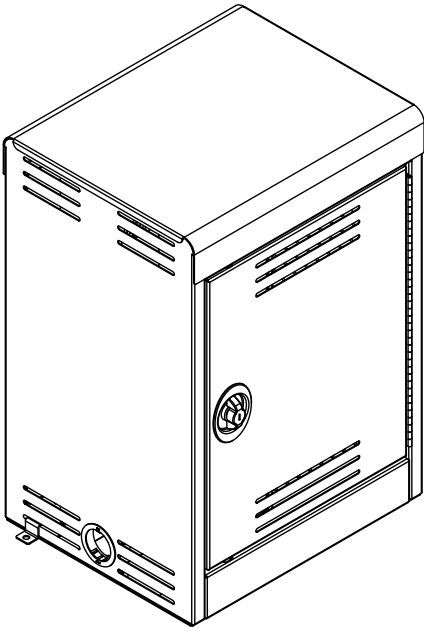
# Specifications

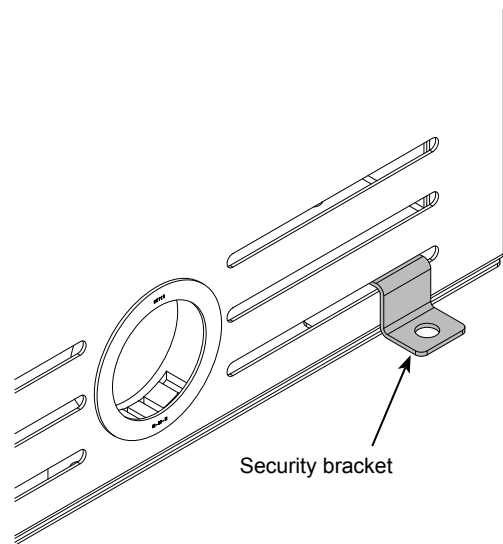
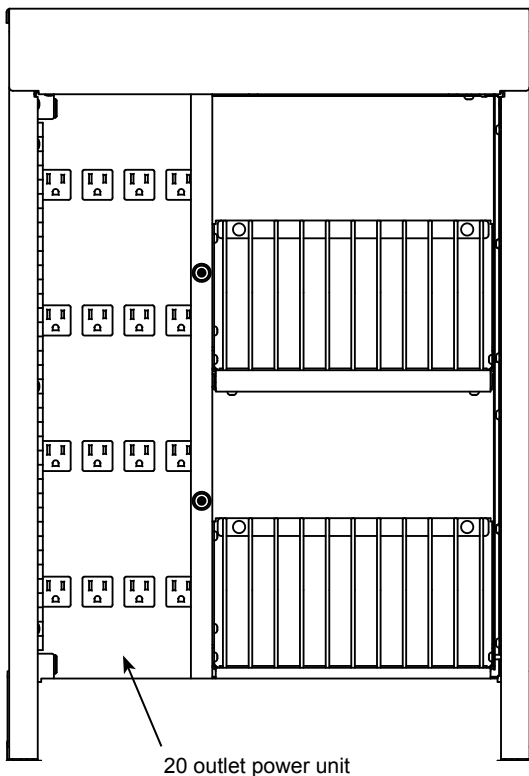
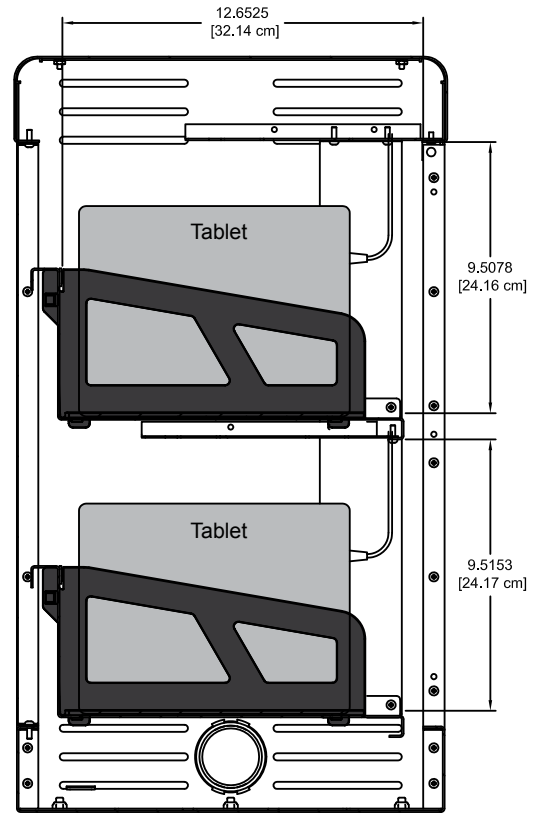
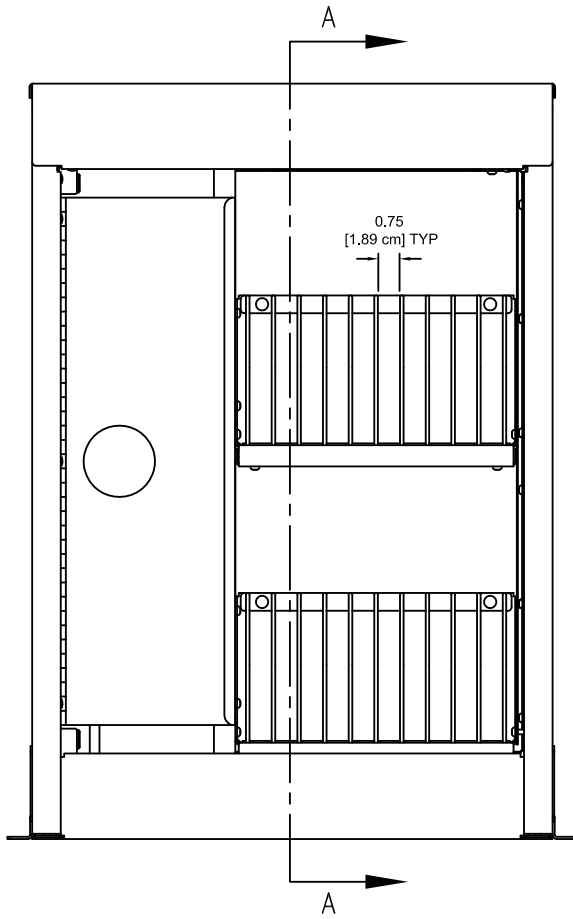
Capacity	20 tablets	
Storage bays (nominal)	.75"W [1.9 cm] x 12.6525"D [32.14 cm] x 9.5078"H [24.16 cm]	
Electrical	<ul style="list-style-type: none"> <li>• 20-outlets</li> <li>• 125V~/12A, 60Hz</li> <li>• 15-amp breaker</li> <li>• 4' nominal, 14 AWG, 3-wire power cord</li> </ul>	<ul style="list-style-type: none"> <li>• Power-side panel isolates and separates electrical line voltage from students</li> <li>• ETL recognized (certified to 60950-1)</li> </ul>
Certifications / Compliance	<ul style="list-style-type: none"> <li>• ETL recognized</li> </ul>	<ul style="list-style-type: none"> <li>• Meets or exceeds applicable ANSI-BIFMA test standards</li> </ul>
Unit weight (nominal)	76 lb [34.5 kg]	
Shipping weight (nominal)	78 lb [35.4 kg]	

*Specifications subject to change without notice*



InTouch20 Secure Laptop Locker





# Accessories

## Synchronizing USB Hubs 55448

### Includes:

- (4) 7-port USB hubs with cables
- (1) 8-outlet power strip w/ rotating outlets
- (8) 3" x 2" Velcro® strips
- (15) zip ties



- Allows user/instructor laptop to synchronize tablet databases
- Utilizes industry standard hubs (USB 2.0/1.1/1.0) with data transfer up to 480 Mbps
- Includes diagnostic LEDs on hubs
- Hubs include Velcro® fasteners to attach to locker
- Best value option that provides the ability to charge and synchronize
- Can be used with iPad® tablets by plugging the USB cable into the AC power adapter (for charging) or USB hub port (for syncing) when needed (see below)



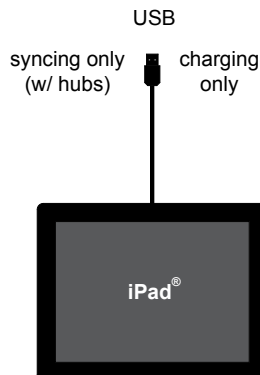
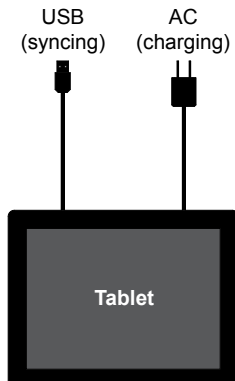
Rear View



Front View

Note: The optional USB hubs are for syncing only and do not provide charging capabilities through the USB ports. Supplementary charging through an AC adapter and outlet is still required.

Note: The iPad® has a single cord for charging and syncing (see below). This cord must be moved from the AC adapter to the hub for syncing. Many tablet devices use this same type of configuration. Some have a separate power cord and separate USB cord to accomplish both syncing and charging functions. Please consult the owners manual of your specific tablet device for further information.



## Minimum System Requirements

- Computer with Windows® 7, Windows Vista®, Windows® XP SP2, Windows® 2000 SP4, Mac OS® X 10.4 or higher
- Computer with USB 1.1 port

## USB Hub Specs

### Standards

- USB specification version 2.0 1 (data rates of up to 480 Mbps)
- USB specification version 1.1 (data rates of up to 12 Mbps)

- OHCI
- UHCI
- VEHCI

### Interfaces

- 1 upstream USB 2.0 Type B (female) port
- 7 downstream USB 2.0 Type A (female) ports (including 2 Fast Charging ports)

### Connectivity Rules

- Up to five cascaded hubs
- Maximum cable length between each hub: 5m
- Up to 127 devices

### Diagnostic LED

- Standard Mode (blue)
- Fast-Charge Mode (green)

### Supplied Charging Current

- Standard Mode:
  - All seven USB ports - 0.5 A per port 2
- Fast-Charge Mode:
  - 5 standard USB ports- 0.5 A per port 2
  - 2 USB fast charging ports - 1.2 A per port 2

### Power Input

- + 5 V / 3 A DC

### Dimensions (L x W x H)

- + 3.94 x 2.2 x 0.9 inches (100 x 57 x 23 mm)

### Weight

- 0.19 lbs (85 g)

### Operating Temperature

- 32 to 104°F (0 to 40°C)

### Storage Temperature

- -4 to 158°F (-20 to 70°C)

### Operating Humidity

- 5% to 95% (non-condensing)

### Storage Humidity

- 0% to 95% (non-condensing)

### Certifications

- FCC, CE, C-Tick, VCCI, IC, RoHS

## Power Strip Specs

- 8-outlet surge protector with 6-foot cord
- Built to protect electronics
- Rotating outlets for ease of use; detachable cord-managementclip for cable organization
- Right-angle plug keeps cord close to the wall
- Slim design
- Lifetime warranty and \$150,000 connected equipment warranty



See [spectrumfurniture.com](http://spectrumfurniture.com) for the latest accessories and detailed warranty information.

# Warranty

## **WE WILL MAKE IT RIGHT FOR YOU!**

Spectrum is committed to provide complete customer satisfaction. Each of our products is manufactured from the best materials available and each product is stringently monitored throughout the production process through our P.A.C.E. program (Product Assurance to meet Customer Expectations).

We expressly warrant that Spectrum products will be of good quality and workmanship and free from defect for the period set out in the warranty table below from the date of delivery. This warranty shall not apply to defects or damage resulting from misuse, abuse, neglect, improper care, modification or repair not authorized by Spectrum, or any other cause outside the control of Spectrum. Spectrum will, at its sole option, either repair or replace the defective product.

This warranty is exclusive; no other warranty, written or oral, is expressed or implied. This warranty is given by Spectrum to Buyer and to no other person or legal entity. No Spectrum dealer, distributor, agent or employee is authorized to make any modification or addition to this warranty.

**NOTWITHSTANDING ANYTHING TO THE CONTRARY, SPECTRUM WILL NOT UNDER ANY CIRCUMSTANCES BE LIABLE FOR INDIRECT OR LIQUIDATED DAMAGES, INCLUDING CONSEQUENTIAL, INCIDENTAL AND SPECIAL DAMAGES. IN NO EVENT SHALL SPECTRUM'S LIABILITY, WHETHER UNDER CONTRACT OR WARRANTY, IN TORT OR OTHERWISE, EXCEED THE PURCHASE PRICE RECEIVED BY SPECTRUM FOR THE PRODUCT AT ISSUE AND "RECALL ACTION" EXPENSES. SPECTRUM SHALL NOT BE SUBJECT TO ANY OTHER OBLIGATIONS OR LIABILITIES, WHETHER ARISING OUT OF BREACH OF CONTRACT, WARRANTY, TORT (INCLUDING NEGLIGENCE AND STRICT LIABILITY) OR OTHER THEORIES OF LAW, WITH RESPECT TO PRODUCTS SOLD OR SERVICES RENDERED BY SPECTRUM, OR ANY UNDERTAKINGS, ACTS OR OMISSIONS RELATING THERETO.**

Our Customer Service Department is ready to provide immediate attention to any questions, comments or concerns. They are available to answer your calls Monday through Friday from 7 am to 5 pm CST. In addition your product comments or concerns are welcome via e-mail at: [spectrum@spectrumfurniture.com](mailto:spectrum@spectrumfurniture.com).

Warranty Table

Item	Warranty Period effective 1/1/2015
Adjustable Crank / Electric Desk Legs	• 1 Year
Flat Panel Desk Gas Cylinders	
Chairs <ul style="list-style-type: none"> <li>• Adjustable Height Chair Parts – including frames, gas cylinders, wood and plastic parts, control handles, casters</li> <li>• Adjustable Height Chair Upholstery</li> <li>• In-Stock Upholstery</li> <li>• Graded-In Fabrics and Customer Owned Material</li> </ul>	<ul style="list-style-type: none"> <li>• 7 Years</li> <li>• 2 Years</li> <li>• 2 Years</li> <li>• No Warranty</li> </ul>
Height Adjustable Columns and Lifts	• 1 Year
General Use Casters	
Electrical (including timers and LINAK actuators)	• 2 Years
Keyboard / Mouse Trays	• 1 Year
Flat Panel Monitor Arms <ul style="list-style-type: none"> <li>• Flat Panel Monitor Arm – General Parts</li> <li>• Flat Panel Monitor Arm – Gas Cylinders</li> </ul>	<ul style="list-style-type: none"> <li>• 5 Years</li> <li>• 2 Years</li> </ul>
Desks and Lecterns <ul style="list-style-type: none"> <li>• Computer Desk Chassis</li> <li>• Cart Chassis</li> <li>• Lectern Chassis</li> </ul>	• 10 Years

