

Assembly Instructions

⚠ Important ⚠

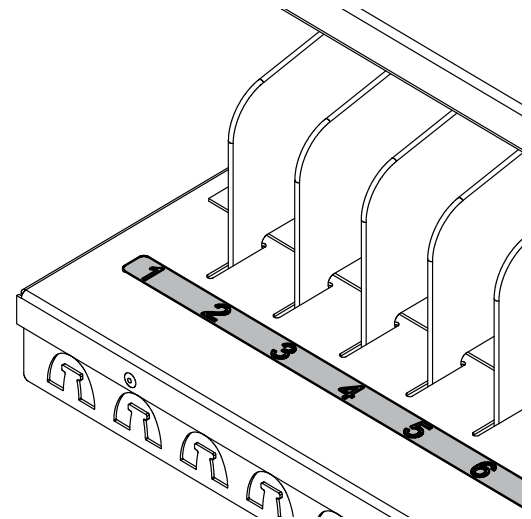
Before you begin, read and comply with all safety and operating instructions, and ensure all parts and correct quantities are included.

Any parts damaged during shipment must be reported within 5 days of receipt. To report information regarding missing parts or damage, to purchase parts or accessories, or if you have any questions, please contact us.

www.spectrumfurniture.com
800-235-1262, 715-723-6750

Thank you for purchasing Spectrum products!

Item	Label set	Product
0130003	55474 (1-16, 17-32)	55468 - Cloud32
0130256	55475 (1-20, 21-40)	55470 - Cloud40 / Cloud40 Flex Lectern
0131083	55476 (1-15, 16-30)	55473 - Connect30
0131077	55477 (1-16, 17-32)	55472 - Pro32 / Pro32 Flex Lectern
0130005	55478 (1-10, 11-20)	55462 - Pro20
0131092	55479 (1-11, 12-22, 23-32)	55429 - IT32
0132251	55492 (1-10)	55489 - Connect10



Bay / Slot Label Kit

55474 55476 55478 55492
55475 55477 55479

Installation

1. Clean metal shelves prior to application.
2. Remove the adhesive backer from label.
3. Apply each label to the shelves with the numbers centered between the dividers shown. **Figure 1.**
4. Run your finger across the label to maximize adhesion.

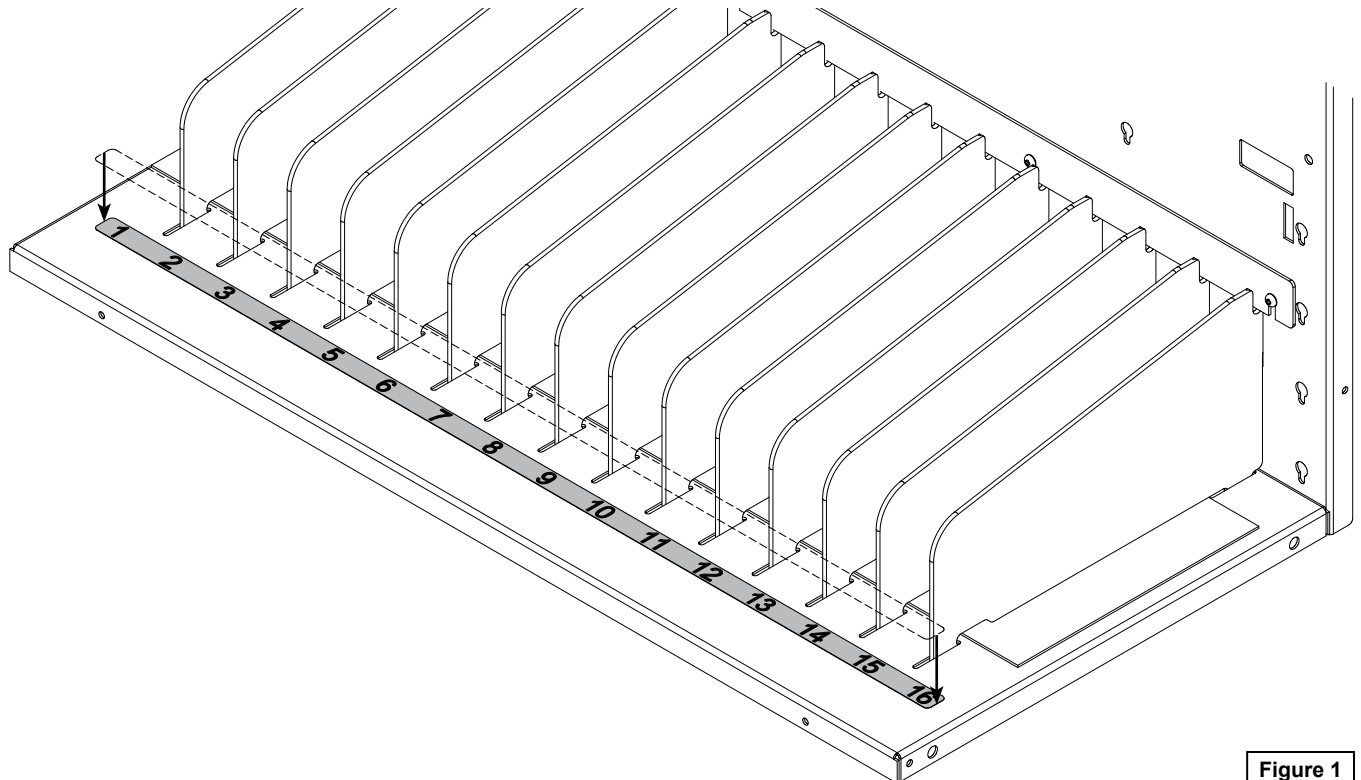


Figure 1