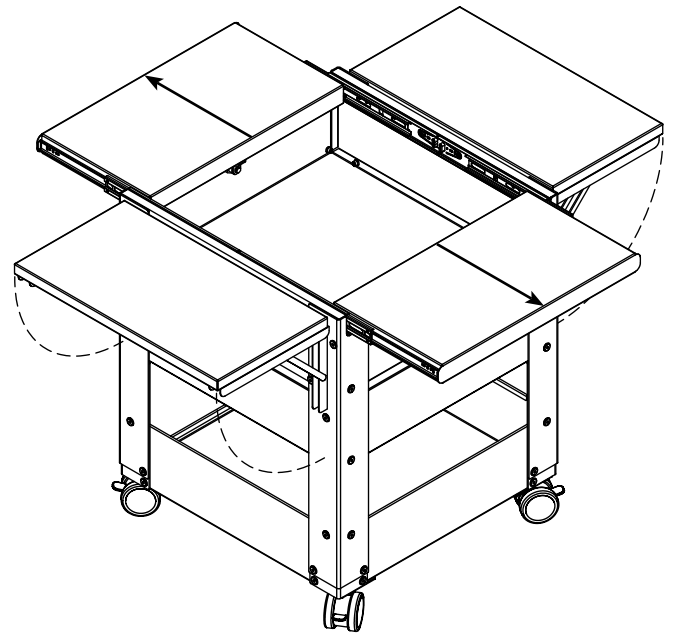
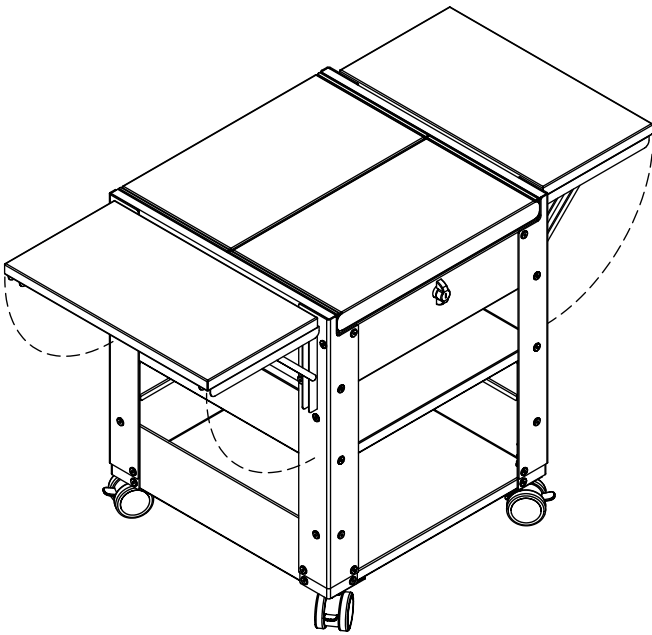


## Technical Specifications

55106



*The Builder Cart™ supports makerspace environments with storage and workspace all in one! Designed for the latest manipulatives, including Lego®, magnetic letters, K'Nex®, Magna-Tile® systems, and more.*

## Features and Benefits

- Durable powder coated steel chassis provides a long-lasting finish
- Steel construction provides durability and magnetic-friendly surfaces
- Small cart footprint (28"W x 24"D) saves valuable classroom space
- 30-36" fixed-height adjustability in 2" increments (*user-adjustable*) (*factory-assembled setting: 30"H*)
- 2 locking slide-out shelves, and 2 flip-up shelves provide workspace for up to 4 students
- 2 lower storage shelves for supplies or additional bins
- Four inboard 3" twin-wheel casters (*4 locking*) provide easy rolling / transport (*rated at 165 lb each*)
- Optional tote bins available in different sizes, provide storage
- Optional lid kit prevents tote bin spills
- Meets or exceeds applicable ANSI-BIFMA test standards
- Ships fully-assembled
- Warranted to be free of all defects in materials and workmanship for 10 years
- Designed and assembled in Chippewa Falls, WI, USA

### Color Options

Light Blue



White

# Construction

- Metal components consist of 16-gauge steel
- All metal components are finished with a scratch-resistant powder coat epoxy
- Side panels are constructed from 3/4" thick composite board with high-pressure laminate on one face, and a balancing phenolic backer on the opposing face.
- Each Builder Cart ships factory-assembled

# Specifications

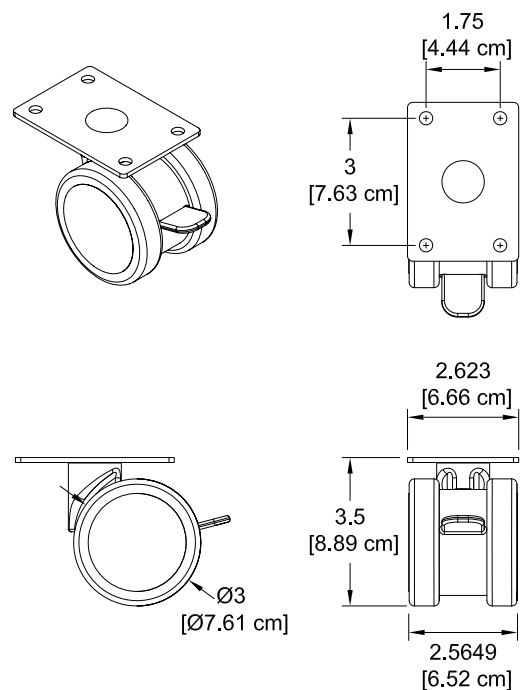
Nominal dimensions	28"W x 24"D x 30-36"H	
Fixed worksurface heights available <i>(user-adjustable with 4mm hex wrench)</i>	<ul style="list-style-type: none"> <li>• 36"H [91.44 cm]</li> <li>• 34"H [86.36 cm]</li> <li>• 32"H [81.28 cm]</li> <li>• 30"H [76.2 cm] <i>(factory-assembled height)</i></li> </ul>	
Upper compartment	Internal dims: 22"W [55.88 cm] 21"D [53.34 cm] x 5.6875"H [14.45 cm] Weight capacity: 25 lb [11.4 kg]	
Mid Shelf	23"W [58.4 cm] x 23"D [58.4 cm] x 6.75"H Weight capacity: 25 lb [11.4 kg]	
Lower Shelf	23"W [58.4 cm] x 23"D [58.4 cm] x	<ul style="list-style-type: none"> <li>• 18"H [45.72 cm]</li> <li>• 16"H [40.64 cm]</li> <li>• 14"H [35.56 cm]</li> <li>• 12"H [30.48 cm]</li> </ul>
	Weight capacity: 25 lb [11.4 kg]	
Pull-out tray	21.125"W x 11.875"D x 1"H Weight capacity: 25 lb [11.4 kg]	
Flip-up shelf	22.125"W x 12"D x 1"H Weight capacity: 25 lb [11.4 kg]	
3" Twin Wheel casters	Twin wheel with brake Weight capacity: 165 lb [74.9 kg] each	
Unit weight (nominal)	100 lb [45.4 kg]	
Shipping weight (nominal)	132 lb [59.9 kg]	

*Specifications subject to change without notice*

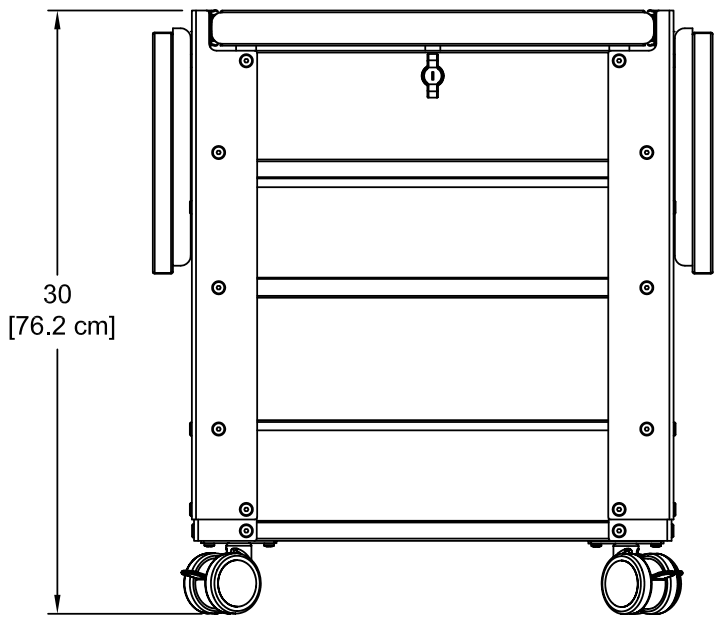
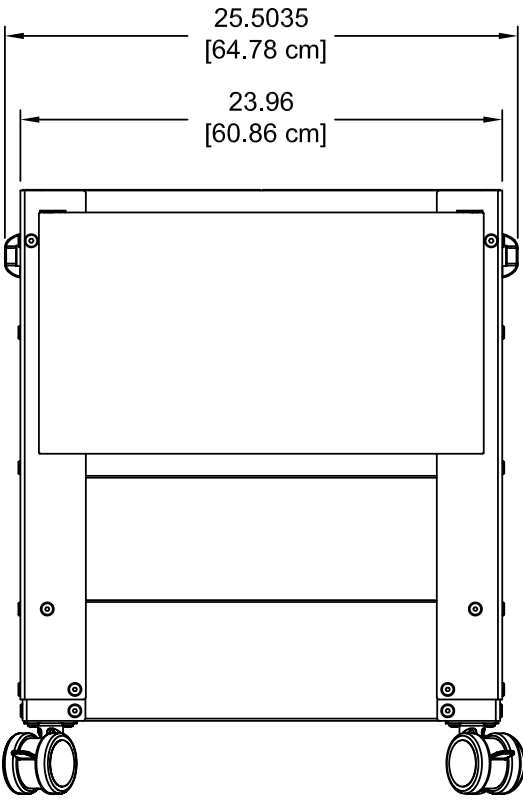
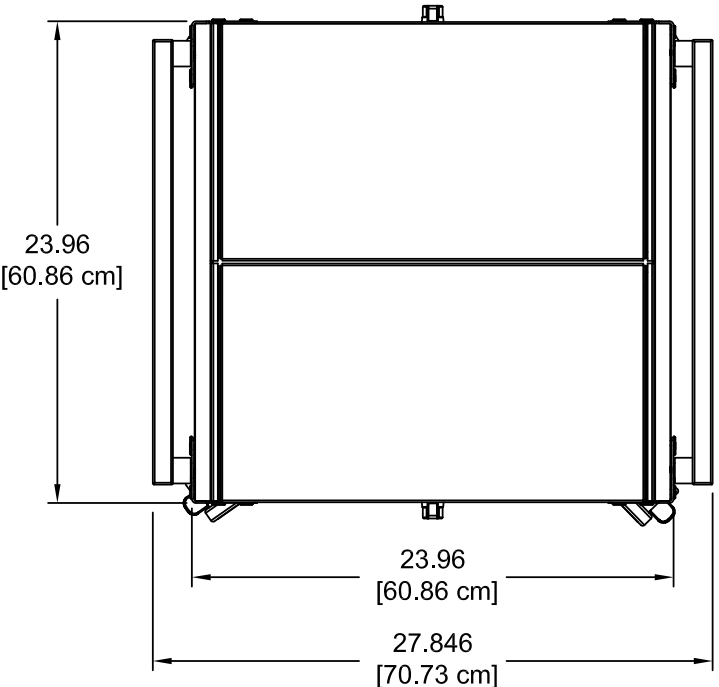
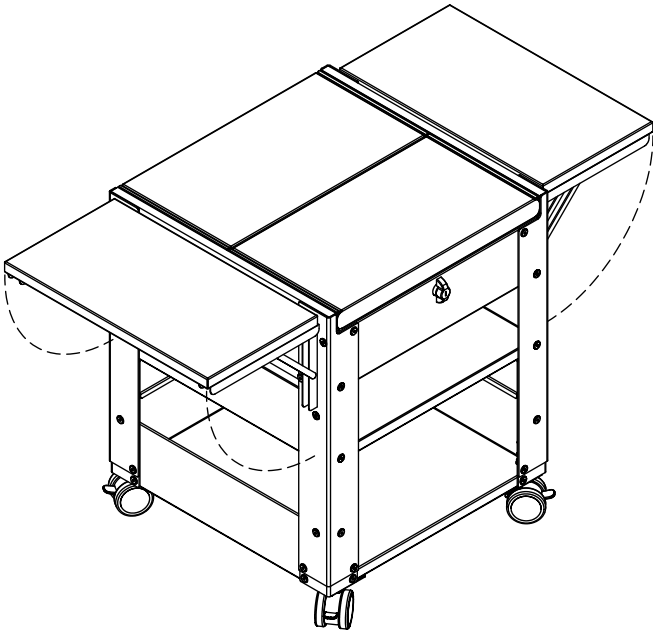
Optional Tote bins / lids  
(order separately)



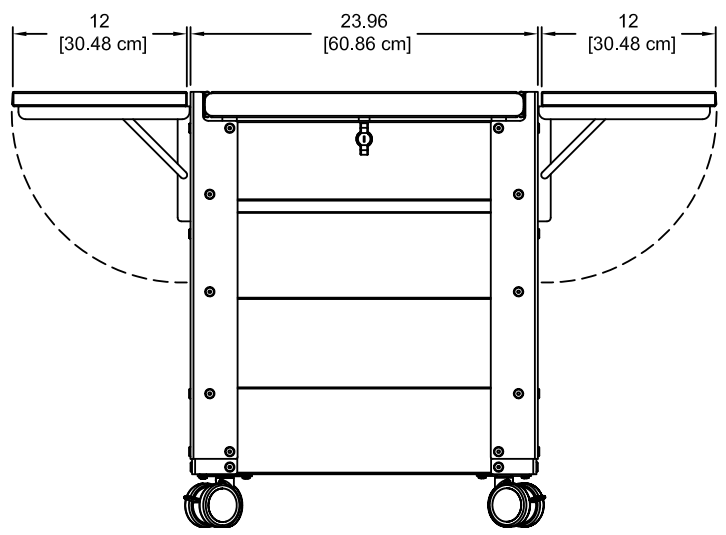
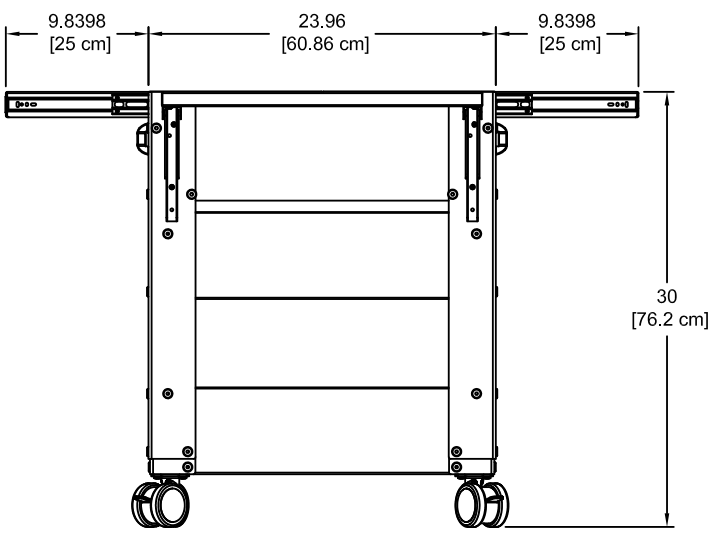
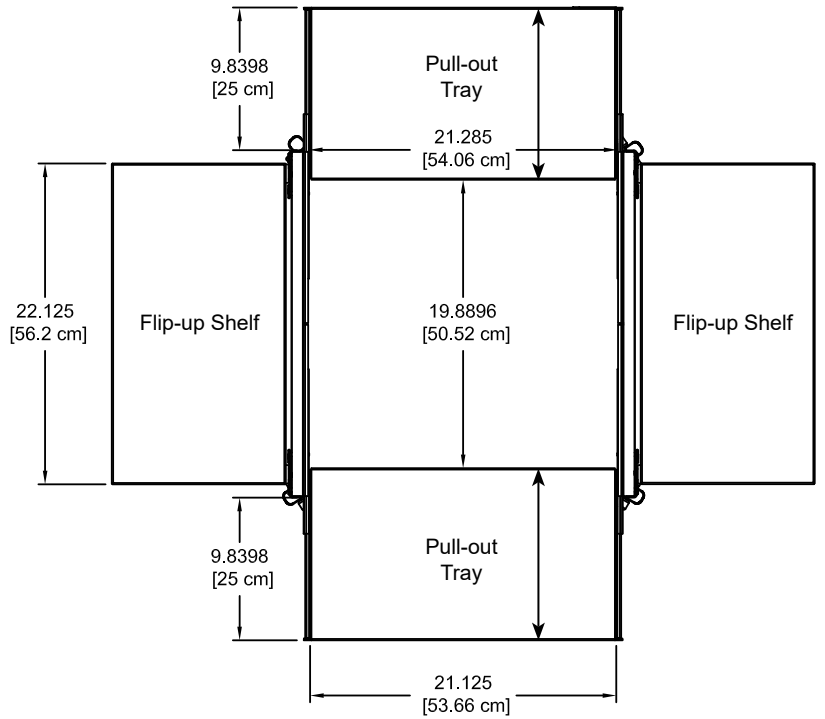
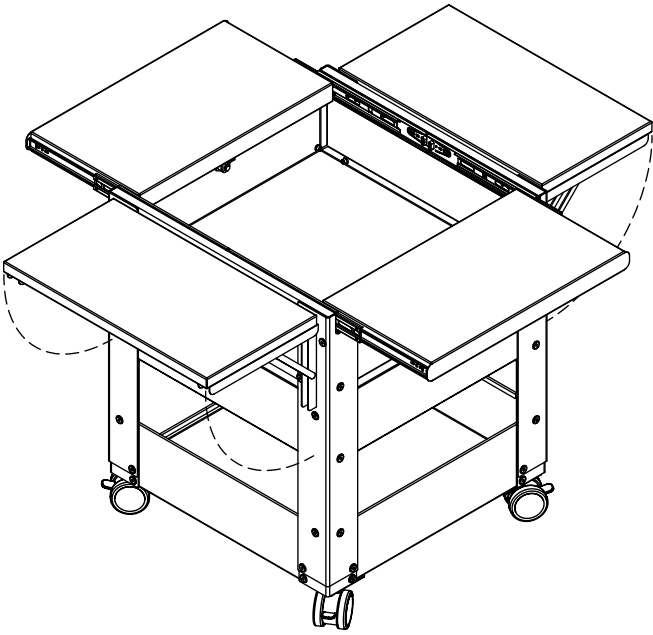
3" Twin-Wheel caster



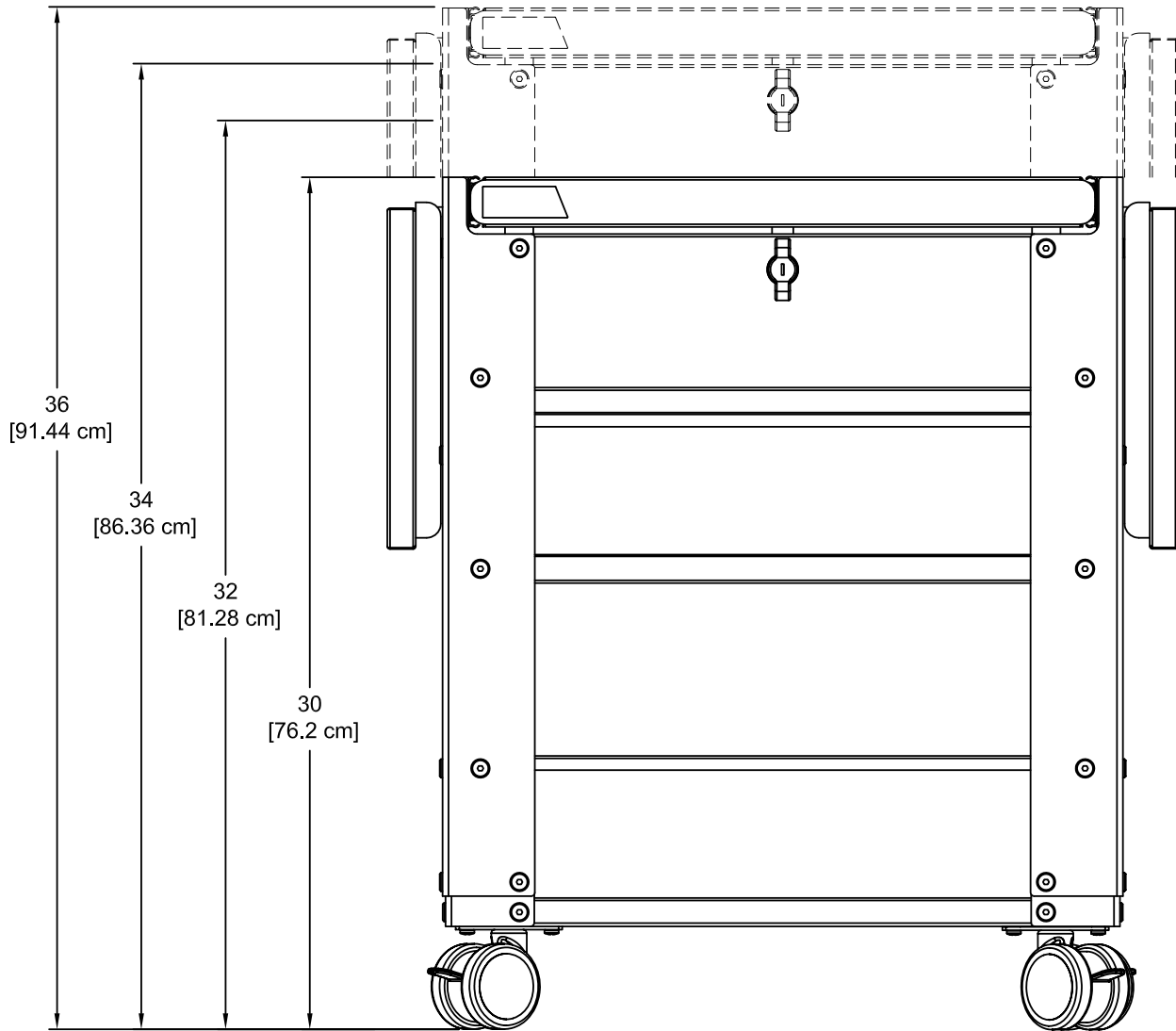
Builder Cart  
 (shown with trays and flip-up  
 shelves retracted)



Builder Cart  
 (shown with trays and flip-up shelves extended)



Adjustable height  
(user-adjustable with 4mm hex wrench)



## Accessories



### Tote Bins - 5-pack - 95005

- 12.2"W x 7.8"D x 5.1"H (6 qt)
- Drop-resistant plastic
- Includes 5 bins in same color (choose from green, blue, yellow, red, or translucent)
- Lids not included
- Unit weight (ea): .5 lb [.227 kg]
- Shipping weight: 4 lb [1.8 kg]



### Tote Bins - 4-pack (4-color) - 95008

- 12.2"W x 7.8"D x 5.1"H (6 qt)
- Drop-resistant plastic
- Includes (1) green, (1) blue, (1) yellow, (1) red
- Lids not included
- Unit weight (ea): .5 lb [.227 kg]
- Shipping weight: 3.5 lb [1.59 kg]



### Lid Kit for Tote Bins

#### 5-pack - 95007

#### 4-Pack - 95009

- 12.2"W x 7.8"D
- Translucent
- Drop-resistant plastic
- Unit weight (ea): .25 lb [.11 kg]
- Shipping weight: 2 lb [.908 kg]



### White Boards (12 Pack) - 95014WD

- 9"W [22.86 cm] x 12"L [30.48 cm]
- Double-sided whiteboard surface for dry erase markers

## Warranty

### We will make it right for you!

Thanks for choosing Spectrum! Spectrum is committed to provide complete customer satisfaction. Each of our products is manufactured from the best materials available and each product is stringently monitored throughout the production process through our P.A.C.E. program (Product Assurance to meet Customer Expectations).

We expressly warrant that Spectrum products will be of good quality and workmanship and free from defect for the period set out in the warranty from the date of delivery.

**For a listing of all product specific warranty terms please visit our website at:**

<https://www.spectrumfurniture.com/en/resources/purchasing-terms-warranty>

**1-800-235-1262**

Toll-free HELPLINE

**[spectrum@spectrumfurniture.com](mailto:spectrum@spectrumfurniture.com)**



Spectrum Industries is  
Certified ISO 9001:2015