

Assembly Instructions

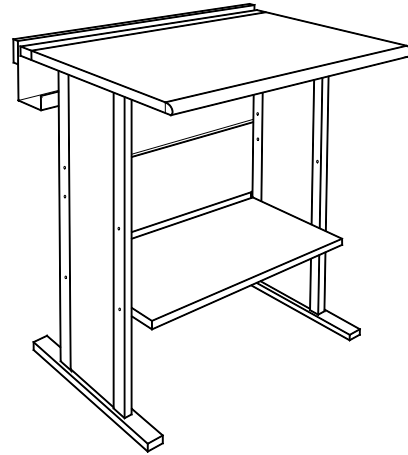
⚠ Important ⚠

Before you begin, read and comply with all safety and operating instructions, and ensure all parts and correct quantities are included.

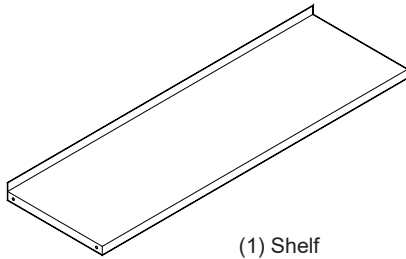
Any parts damaged during shipment must be reported within 5 days of receipt. To report information regarding missing parts or damage, to purchase parts or accessories, or if you have any questions, please contact us.

www.spectrumfurniture.com
800-235-1262, 715-723-6750

Thank you for purchasing Spectrum products!



36" Shelf for Evolution Stand-Up Desk 0101657



(1) Shelf
36" - 0101657



(4) 026064
1/4-20 x 5/8" PHMS



Assembly tip: Do not tighten component fasteners completely until all have been installed. Keeping them loose will help with alignment between parts during assembly.



Installation

1. Position the shelf into the preferred location between the desk legs as shown in **Figure 1**. (Note: Upper and lower shelf mounting holes are available.)
2. Align the holes on the shelf with the leg holes and secure with (4) 1/4-20 x 5/8" PHM screws.
3. Tighten screws securely.

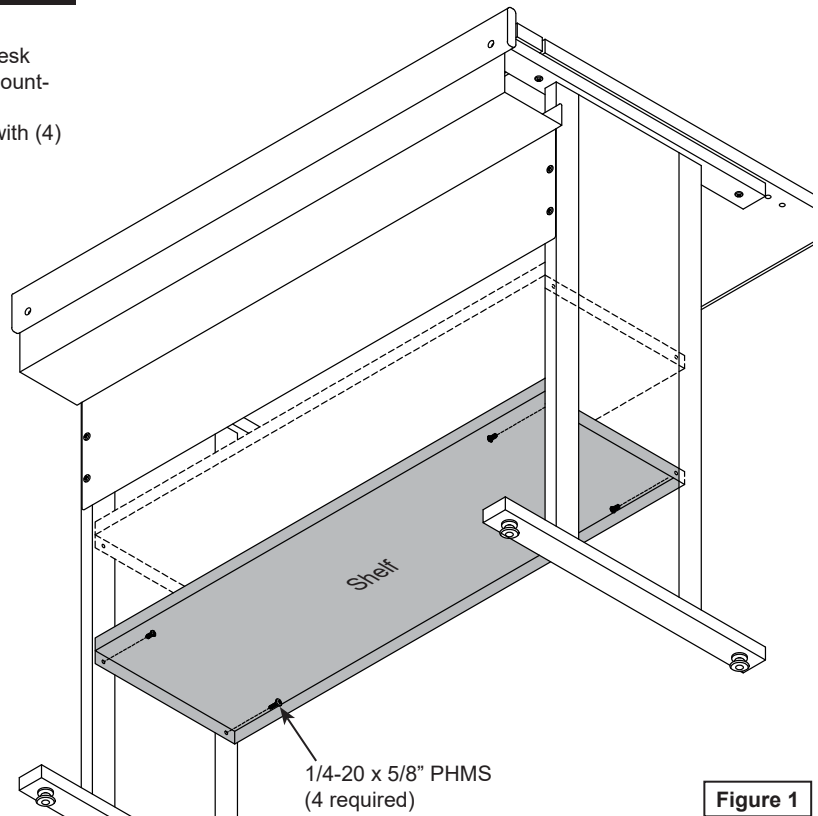


Figure 1