

Assembly Instructions

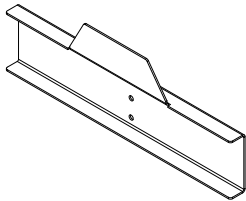
⚠ Important ⚠

Before you begin, read and comply with all safety and operating instructions, and ensure all parts and correct quantities are included.

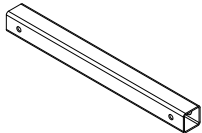
Any parts damaged during shipment must be reported within 5 days of receipt. To report information regarding missing parts or damage, to purchase parts or accessories, or if you have any questions, please contact us.

www.spectrumfurniture.com
800-235-1262, 715-723-6750

Thank you for purchasing Spectrum products!



(1) 0131972
Wall Hanger Bracket



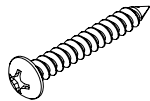
(1) 0132217
Tube Spacer



(2) 021588
8-32 Keyp nut

1. Install wall hanger bracket

Wood stud wall



(2) 0101381
#14 x 1-3/4" PHSM

Tools Required



Electric drill



Level



Phillips driver

1. Locate stud in wall. Position the wall hanger bracket at the desired height on wall.
2. Level the bracket.
3. Using a drill with a Phillips driver, install the wall hanger bracket onto the wall with (2) #14 x 1-3/4" PHSM screws. **Figure 1.1.** Tighten securely.

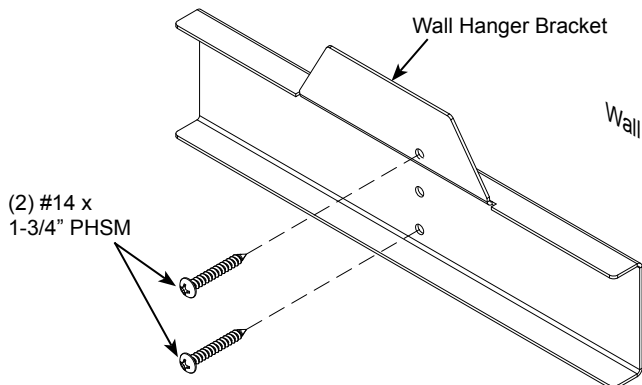
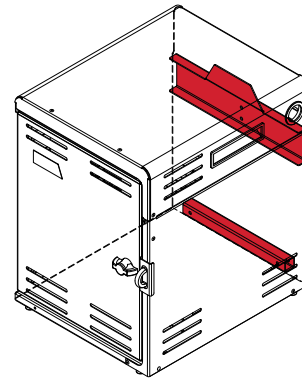


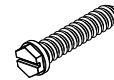
Figure 1.1



Wall Hanging Kit for Connect10 Locker 55490

- One 55490 kit will attach one locker to a wall
- One 55490 kit required per locker
- To fully comply with ADA guidelines, it's recommended the locker be hung above base cabinets or other permanent structure that extends to the floor.
- 175 lb [79.5 kg] weight capacity. Do not exceed this limit.

Concrete wall

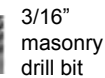


(2) 055699
1/4" x 1-1/4" Tapcon
Hex screw

Tools Required



Electric hammer drill



3/16" masonry drill bit



Level



Ratcheting wrench with 5/16" socket

1. Position the wall hanger bracket at the desired location and height on the wall.
2. Level the bracket.
3. Mark the (2) mounting hole locations onto the wall.
4. Using a hammer drill with 3/16" masonry drill bit, drill into the wall at the (2) marked locations. (Approximately 1-1/4"D).
5. Install the wall hanger bracket with (2) 1/4" x 1-1/4" Tapcon fasteners. **Figure 1.2.** Tighten securely.

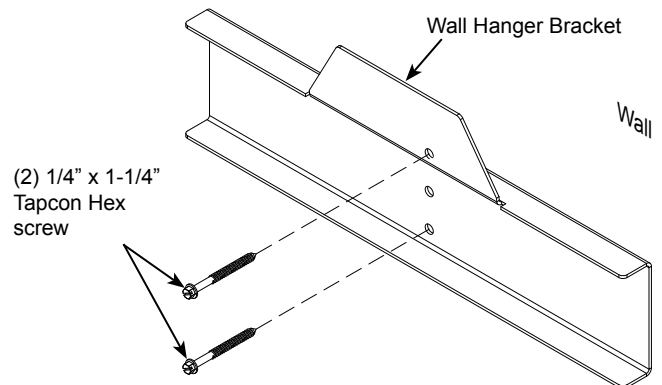


Figure 1.2

2. Install tube spacer

1. Attach the tube spacer to the back of the Connect10 using (2) 8-32 Keps nuts. **Figure 2.**

Note: Attach using the small mounting holes.

Tools Required



Ratcheting
wrench or nut
driver with
1 1/32" socket

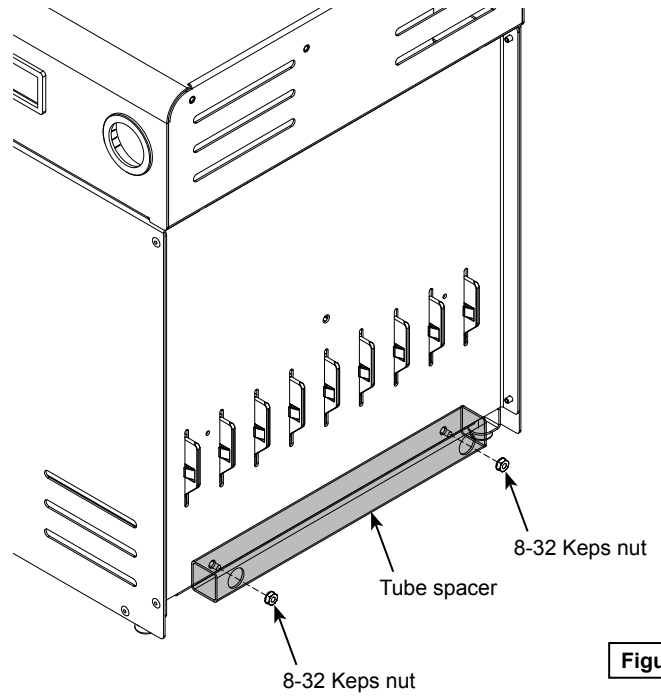


Figure 2

3. Install Connect10 Locker

1. Carefully lift and set the locker onto the installed wall hanger bracket. Two people may be required. **Figure 3.**

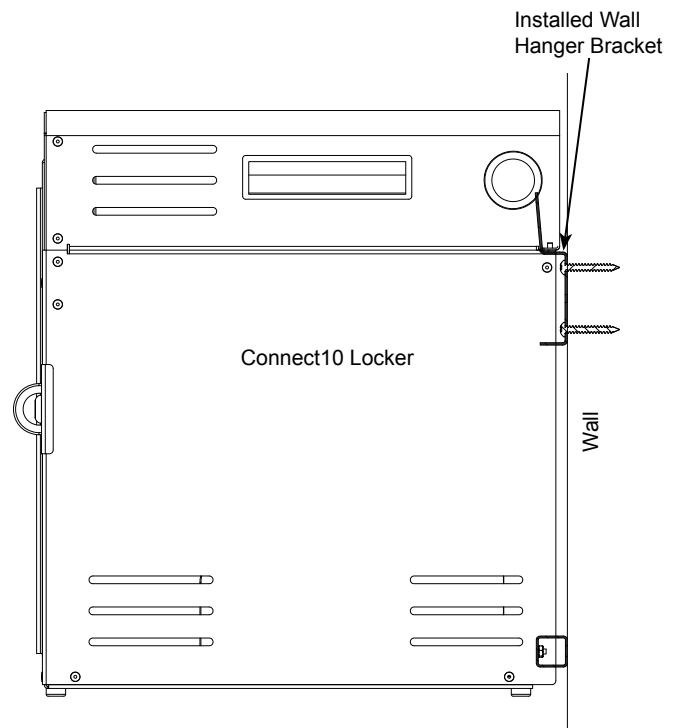
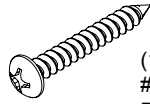


Figure 3

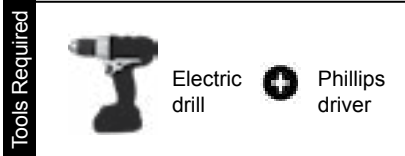
4. Install security anchor screw

The 3rd screw (#14 x 1-3/4" PHSM, or 1/4" x 2-1/4" Tapcon Hex screw) secures the unit to the wall using a hole in the inside back panel of the locker.

Wood stud wall

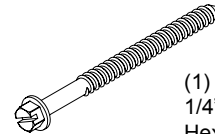


(1) 0101381
#14 x 1-3/4"
PHSM

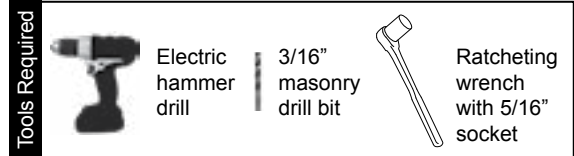


1. Open door.
2. Install the 3rd #14 x 1-3/4" PHSM screw through the 1/4" hole in the back panel. **Figure 4.**
3. Do not overtighten as this could damage the back panel.

Concrete wall



(1) 0132697
1/4" x 2-1/4" Tapcon
Hex screw



1. Open door.
2. Using the back panel of the locker as a template, mark the hole location onto the wall. **Figure 4.**
3. Lift the locker off the wall hanger bracket.
4. Using a hammer drill with 3/16" masonry bit, drill into the wall at the marked location (approximately 1-1/2"D).
5. Place locker back onto wall hanger bracket
6. Install the 1/4" x 2-1/4" Tapcon Hex screw through the 1/4" hole in the back panel. Do not overtighten as this could damage the back panel.

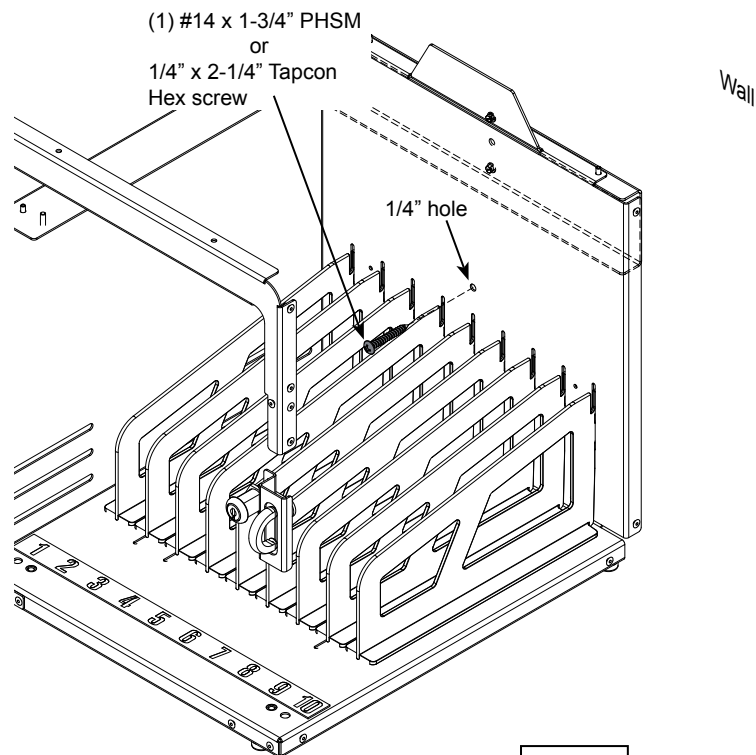


Figure 4