

Assembly Instructions

⚠ Important ⚠

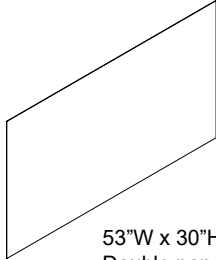
Before you begin, read and comply with all safety and operating instructions, and ensure all parts and correct quantities are included.

Any parts damaged during shipment must be reported within 5 days of receipt. To report information regarding missing parts or damage, to purchase parts or accessories, or if you have any questions, please contact us.

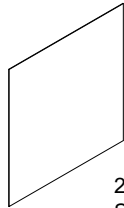
www.spectrumfurniture.com
800-235-1262, 715-723-6750

Thank you for purchasing Spectrum products!

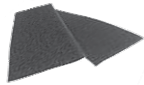
(1) Logo Panel



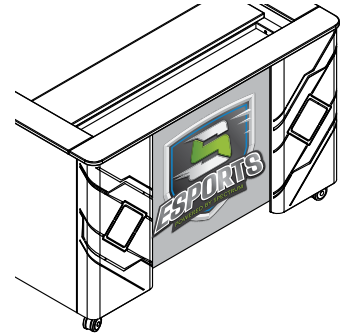
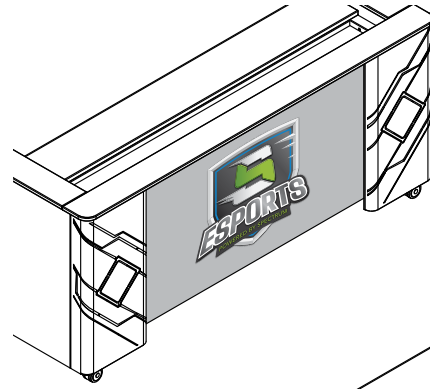
53"W x 30"H
Double panel - 37384



29"W x 30"H
Single panel - 37385



0110254 / 0110255
Hook and loop 2" x 3"
(6) on 37384
(4) on 37385



Installation

1. Attach hook and loop to the corners of the panel. **Figure 1.**
2. Apply panel to audience-side of Shoutcaster.

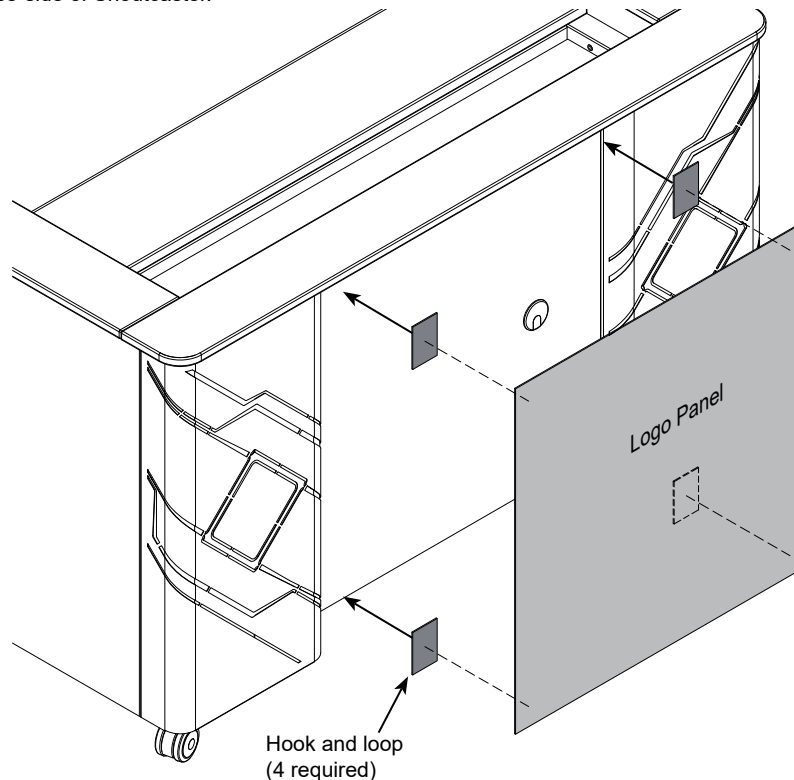


Figure 1